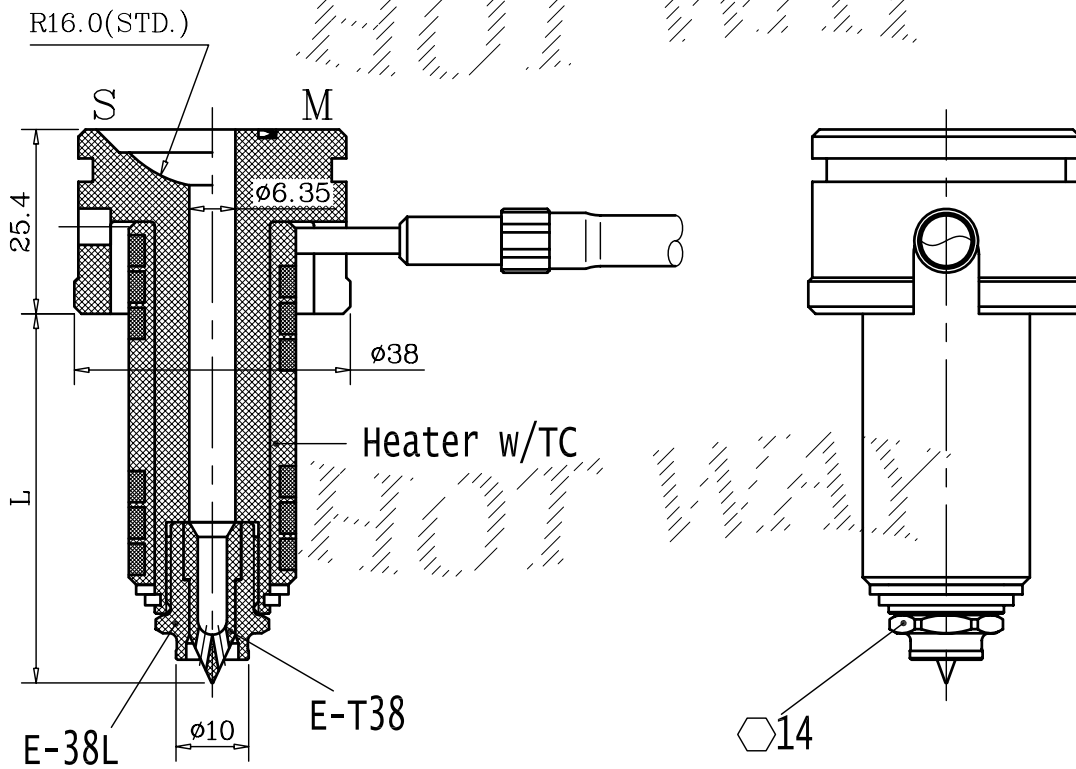


# SERIES 38 L-TYPE

S Single  
M Manifold(OR-610)

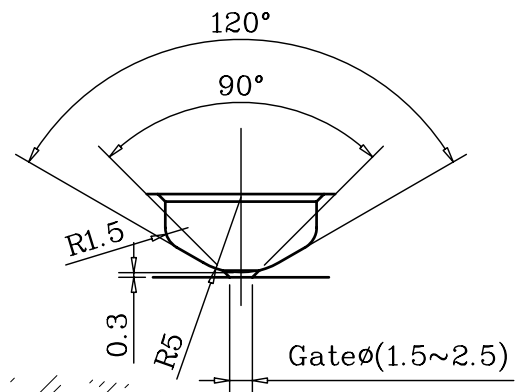
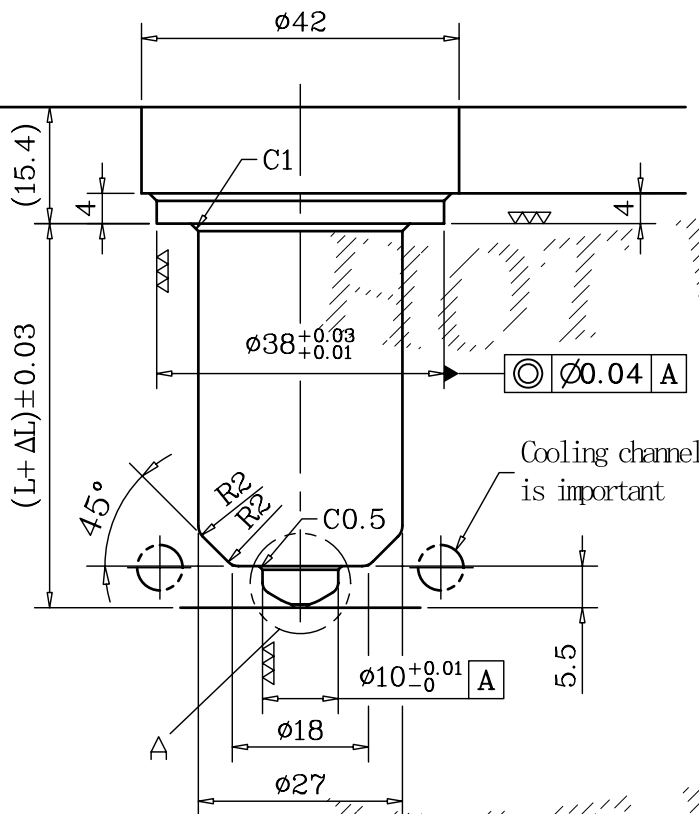
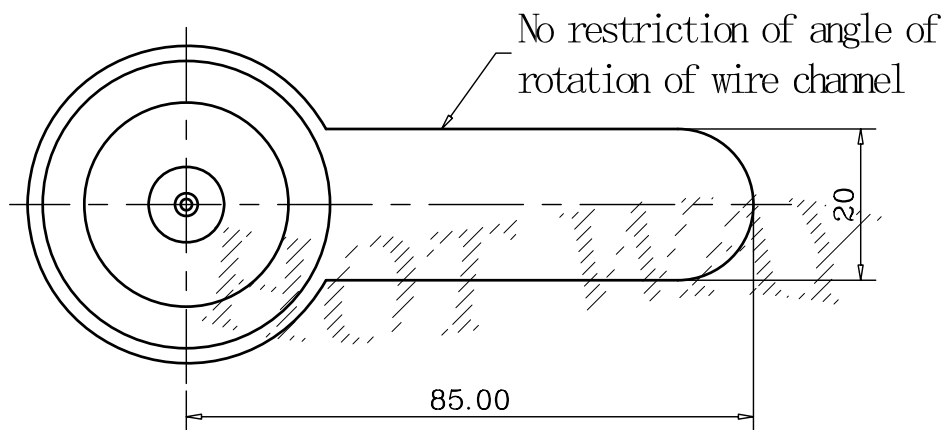


Shot weight (gm)	
High Flow	150
Medium Flow	125
Low Flow	75

HTS: Single Nozzle HTM: Multi Nozzles

Nozzle Part No	L(mm)	Heater Part No	Wattage
HT <sub>S</sub> <sup>M</sup> -3820L	50.8	CH-3820	300W
HT <sub>S</sub> <sup>M</sup> -3825L	63.5	CH-3825	300W
HT <sub>S</sub> <sup>M</sup> -3830L	76.2	CH-3830	450W
HT <sub>S</sub> <sup>M</sup> -3835L	88.9	CH-3835	450W
HT <sub>S</sub> <sup>M</sup> -3845L	114.3	CH-3845	600W
HT <sub>S</sub> <sup>M</sup> -3855L	139.7	CH-3855	600W
HT <sub>S</sub> <sup>M</sup> -3865L	165.1	CH-3865	700W

# SERIES 38 L-TYPE



DETAIL: A (2:1)

HTS: Single Nozzle HTM: Multi Nozzles

$\Delta L$ : Heat Expansion L

Nozzle Part No	L(mm)	L+ $\Delta L$			
		150 °C	200 °C	250 °C	300 °C
HT <sub>S</sub> <sup>M</sup> -3820L	50.8	50.90	50.93	50.97	51.00
HT <sub>S</sub> <sup>M</sup> -3825L	63.5	63.63	63.67	63.71	63.75
HT <sub>S</sub> <sup>M</sup> -3830L	76.2	76.35	76.40	76.45	76.50
HT <sub>S</sub> <sup>M</sup> -3835L	88.9	89.08	89.13	89.19	89.25
HT <sub>S</sub> <sup>M</sup> -3845L	114.3	114.53	114.60	114.68	114.75
HT <sub>S</sub> <sup>M</sup> -3855L	139.7	139.98	140.07	140.16	140.25
HT <sub>S</sub> <sup>M</sup> -3865L	165.1	165.43	165.54	165.64	165.75