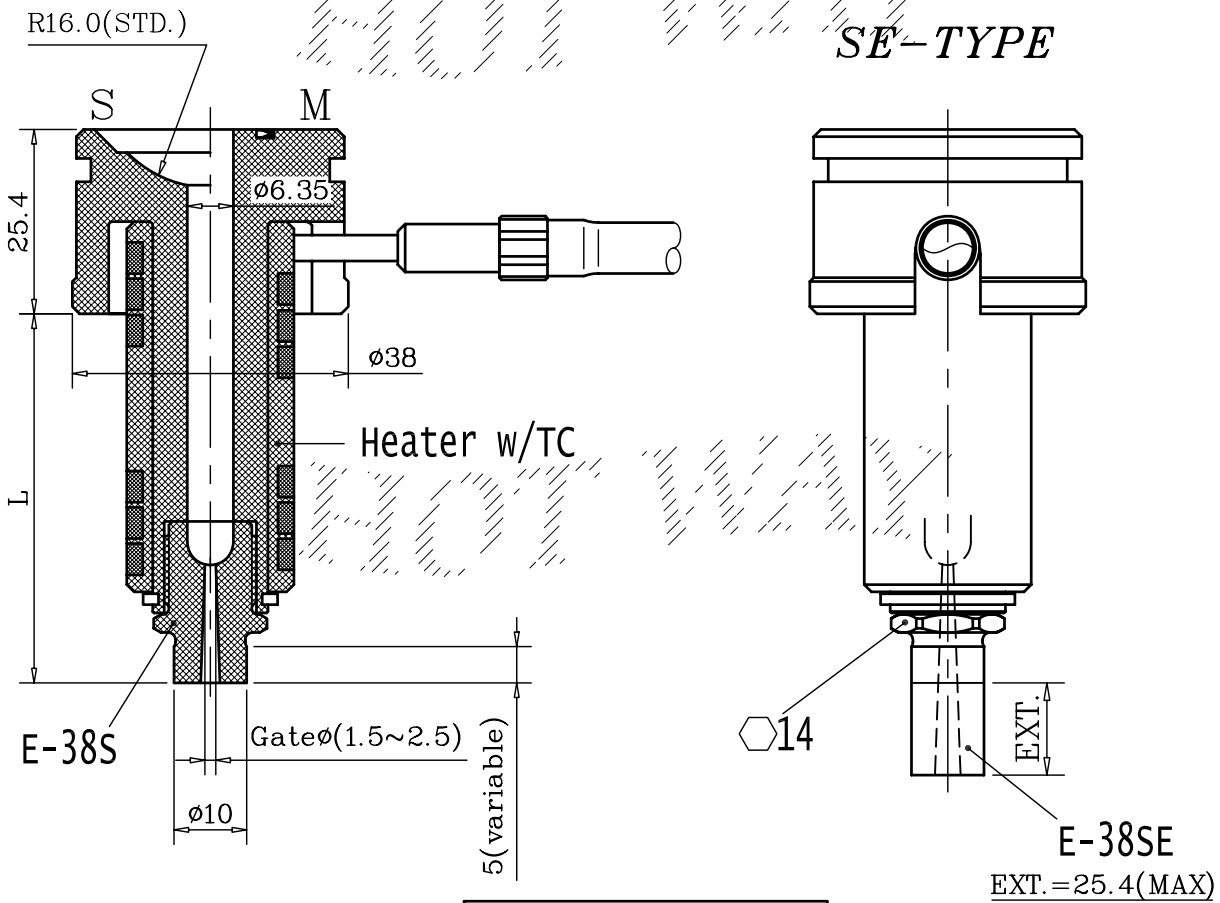


SERIES 38 S/SE-TYPE

S Single
M Manifold(OR-610)

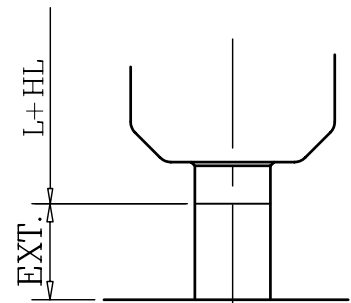
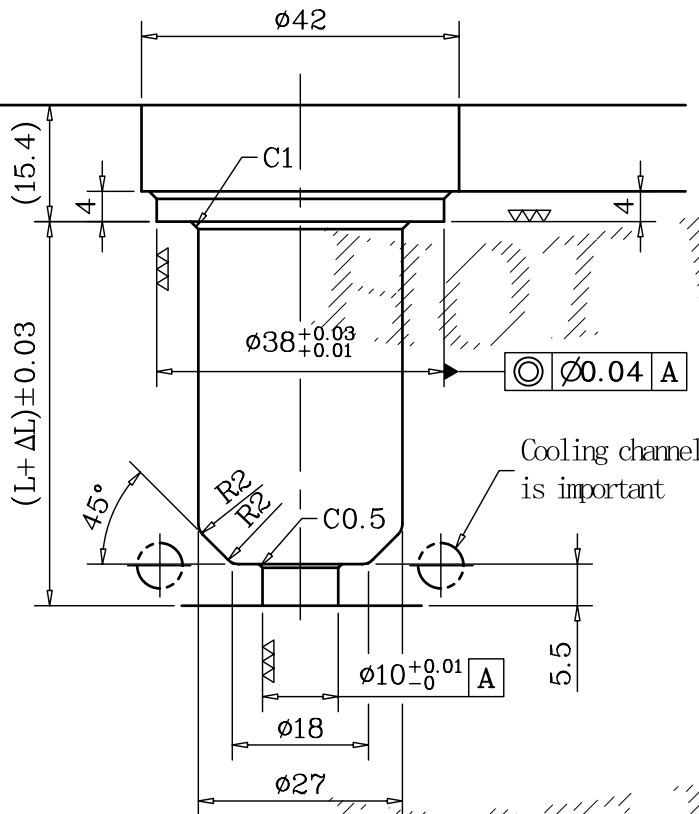
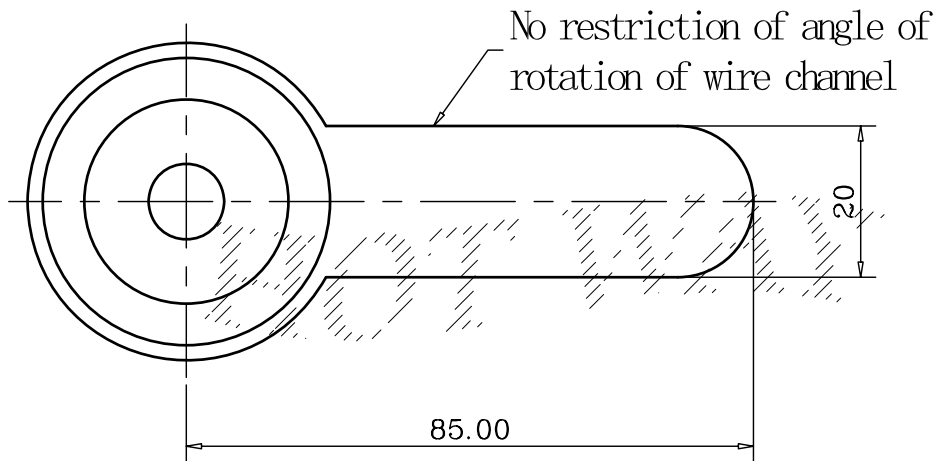


Shot weight (gm)	
High Flow	250
Medium Flow	200
Low Flow	150

HTS: Single Nozzle HTM: Multi Nozzles

Nozzle Part No	L(mm)	Heater Part No	Wattage
HT _S ^M -3820S	50.8	CH-3820	300W
HT _S ^M -3825S	63.5	CH-3825	300W
HT _S ^M -3830S	76.2	CH-3830	450W
HT _S ^M -3835S	88.9	CH-3835	450W
HT _S ^M -3845S	114.3	CH-3845	600W
HT _S ^M -3855S	139.7	CH-3855	600W
HT _S ^M -3865S	165.1	CH-3865	700W

SERIES 38 S/SE-TYPE



HTS: Single Nozzle HTM: Multi Nozzles

ΔL : Heat Expansion L

Nozzle Part No	L(mm)	L+ ΔL			
		150 °C	200 °C	250 °C	300 °C
HT _S ^M -3820S	50.8	50.90	50.93	50.97	51.00
HT _S ^M -3825S	63.5	63.63	63.67	63.71	63.75
HT _S ^M -3830S	76.2	76.35	76.40	76.45	76.50
HT _S ^M -3835S	88.9	89.08	89.13	89.19	89.25
HT _S ^M -3845S	114.3	114.53	114.60	114.68	114.75
HT _S ^M -3855S	139.7	139.98	140.07	140.16	140.25
HT _S ^M -3865S	165.1	165.43	165.54	165.64	165.75