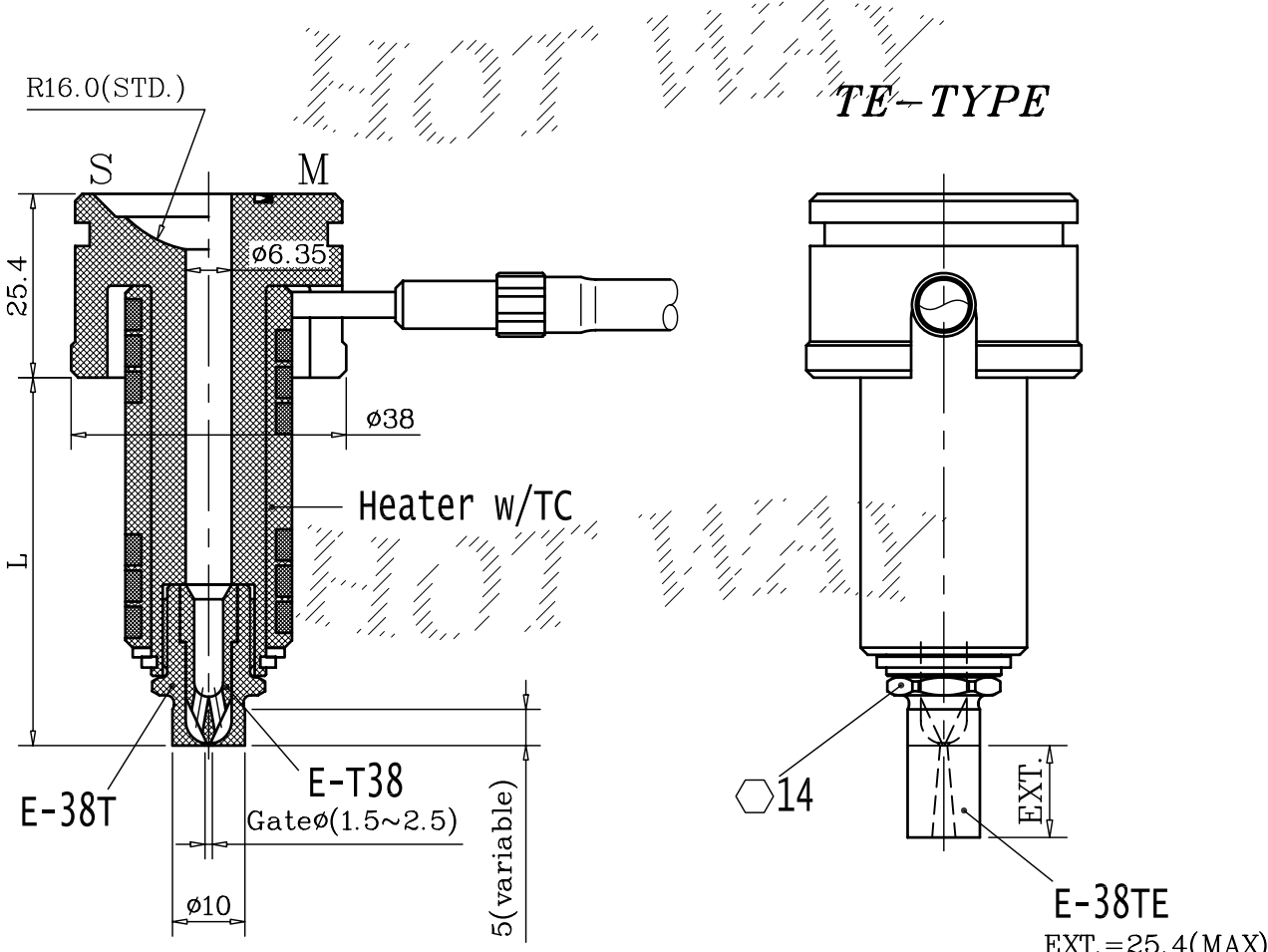


SERIES 38 T/TE-TYPE

S Single
 M Manifold(OR-610)

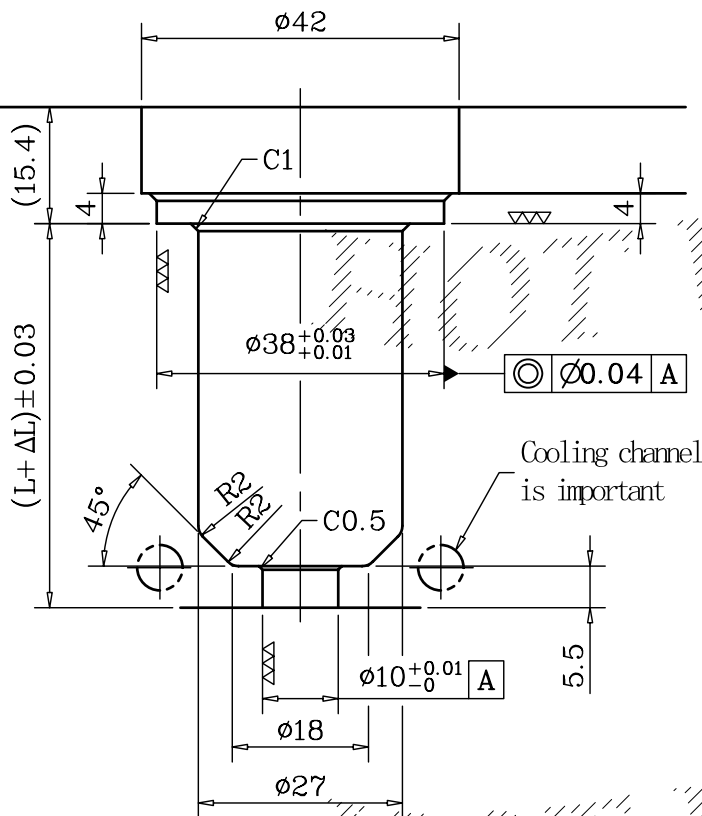
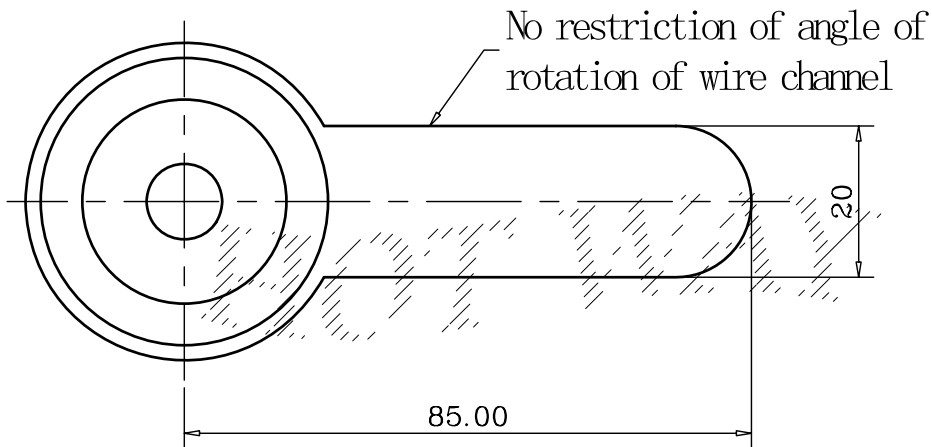


Shot weight (gm)	
High Flow	150
Medium Flow	125
Low Flow	100

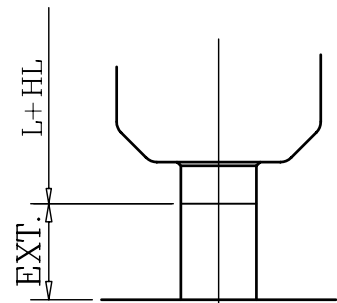
HTS: Single Nozzle HTM: Multi Nozzles

Nozzle Part No	L(mm)	Heater Part No	Wattage
HT ^M _S -3820T	50.8	CH-3820	300W
HT ^M _S -3825T	63.5	CH-3825	300W
HT ^M _S -3830T	76.2	CH-3830	450W
HT ^M _S -3835T	88.9	CH-3835	450W
HT ^M _S -3845T	114.3	CH-3845	600W
HT ^M _S -3855T	139.7	CH-3855	600W
HT ^M _S -3865T	165.1	CH-3865	700W

SERIES 38 T/TE-TYPE



TE-TYPE



EXT. = 25.4 (MAX)

HTS: Single Nozzle HTM: Multi Nozzles

ΔL : Heat Expansion L

Nozzle Part No	L(mm)	L+ ΔL			
		150 °C	200 °C	250 °C	300 °C
HT _S ^M -3820T	50.8	50.90	50.93	50.97	51.00
HT _S ^M -3825T	63.5	63.63	63.67	63.71	63.75
HT _S ^M -3830T	76.2	76.35	76.40	76.45	76.50
HT _S ^M -3835T	88.9	89.08	89.13	89.19	89.25
HT _S ^M -3845T	114.3	114.53	114.60	114.68	114.75
HT _S ^M -3855T	139.7	139.98	140.07	140.16	140.25
HT _S ^M -3865T	165.1	165.43	165.54	165.64	165.75