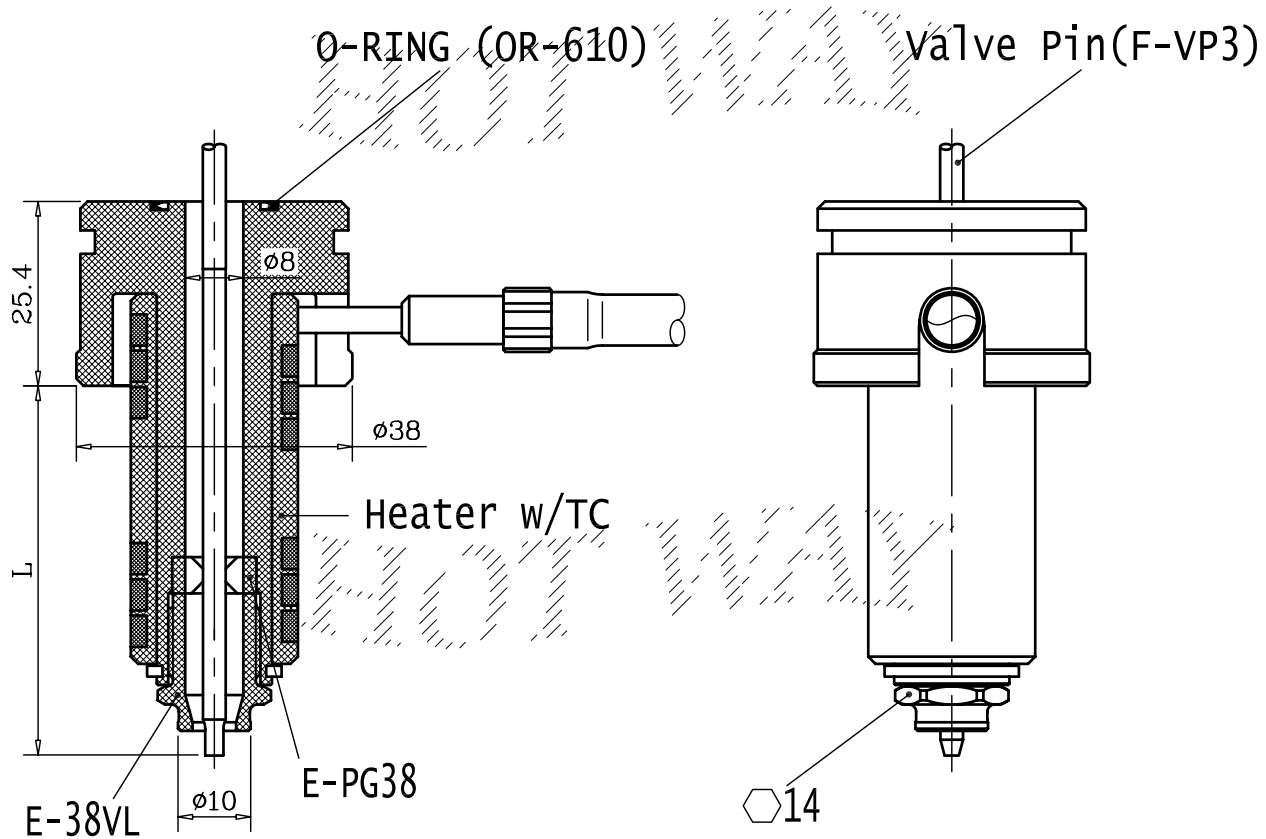


# SERIES 38 VL-TYPE

## VALVE GATE

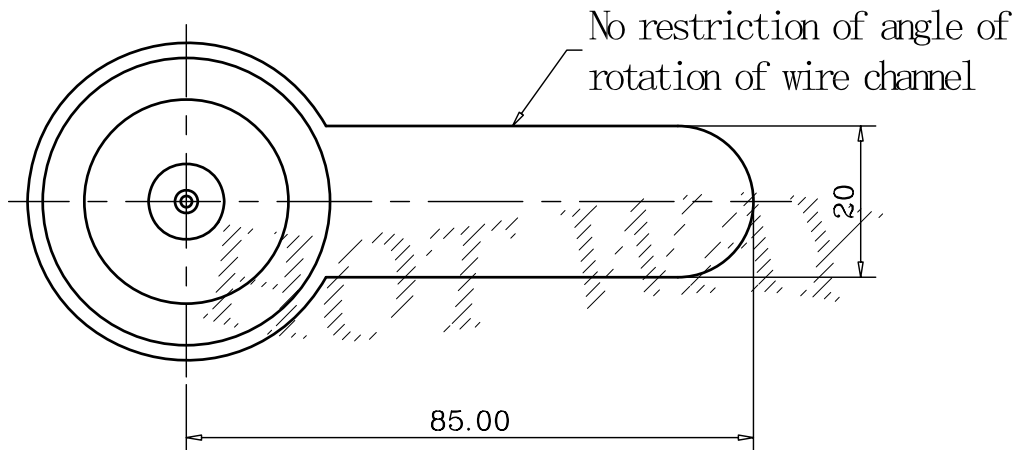


Shot weight (gm)	
High Flow	250
Medium Flow	200
Low Flow	150

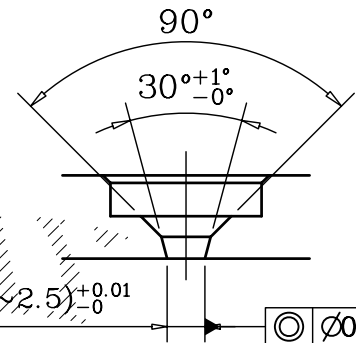
Nozzle Part No	L(mm)	Heater Part No	Wattage
HTM-3820VL	50.8	CH-3820	300W
HTM-3825VL	63.5	CH-3825	300W
HTM-3830VL	76.2	CH-3830	450W
HTM-3835VL	88.9	CH-3835	450W
HTM-3845VL	114.3	CH-3845	600W
HTM-3855VL	139.7	CH-3855	600W
HTM-3865VL	165.1	CH-3865	700W

# SERIES 38 VL-TYPE

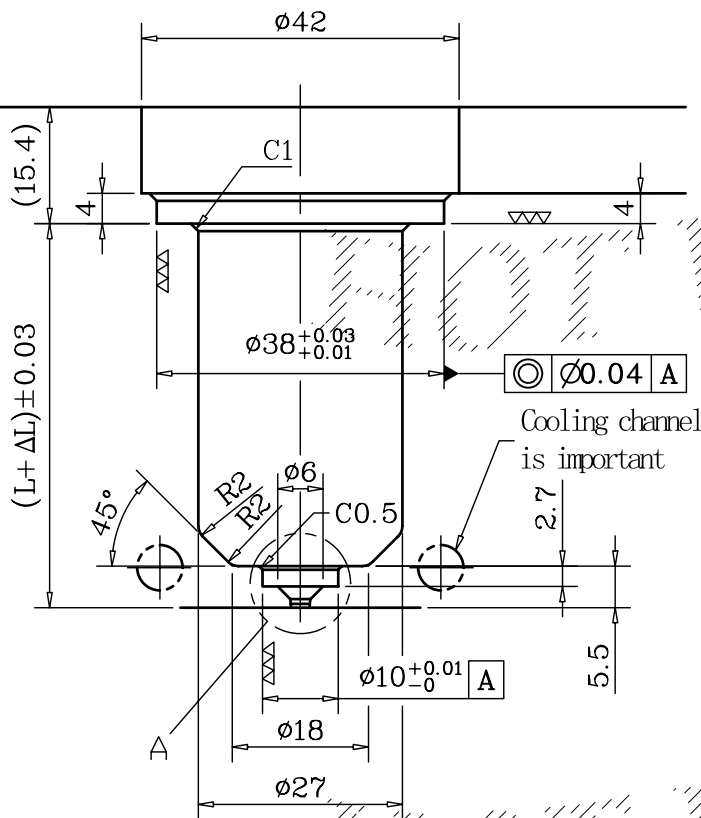
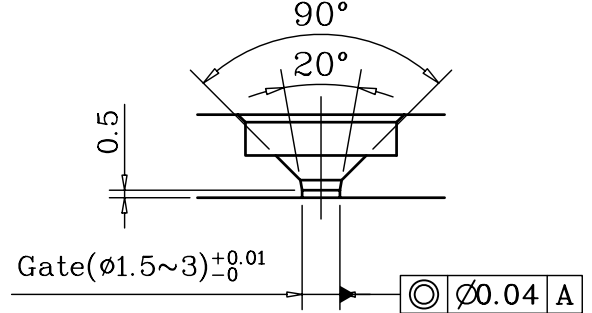
## VALVE GATE



Hydraulic Use



Pneumatic Use



DETAIL: A (2:1)

$\Delta L$ : Heat Expansion L

Nozzle Part No	L(mm)	$L + \Delta L$			
		150 °C	200 °C	250 °C	300 °C
HTM-3820VL	50.8	50.90	50.93	50.97	51.00
HTM-3825VL	63.5	63.63	63.67	63.71	63.75
HTM-3830VL	76.2	76.35	76.40	76.45	76.50
HTM-3835VL	88.9	89.08	89.13	89.19	89.25
HTM-3845VL	114.3	114.53	114.60	114.68	114.75
HTM-3855VL	139.7	139.98	140.07	140.16	140.25
HTM-3865VL	165.1	165.43	165.54	165.64	165.75