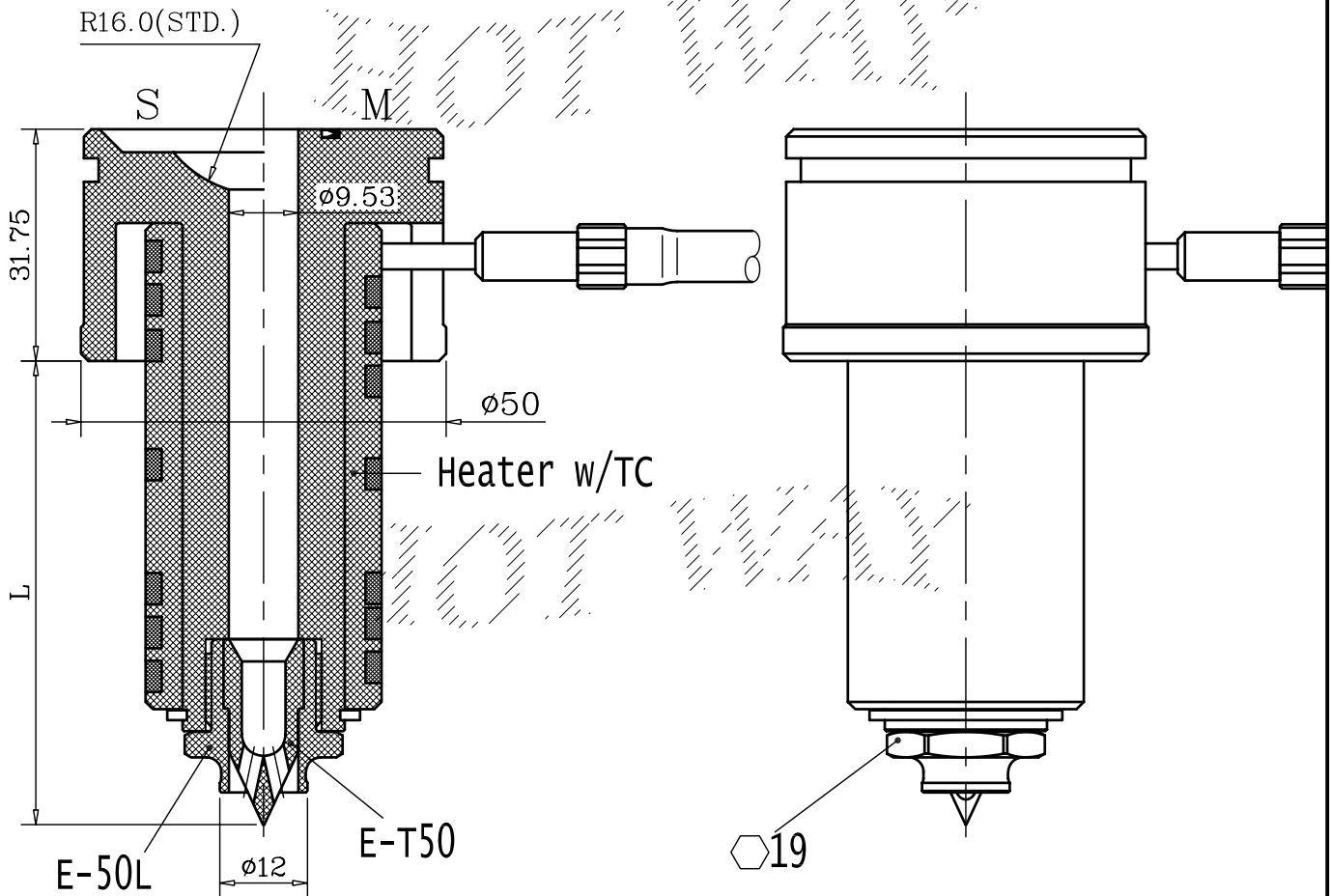


# SERIES 50 L-TYPE

S Single  
M Manifold (OR-620)

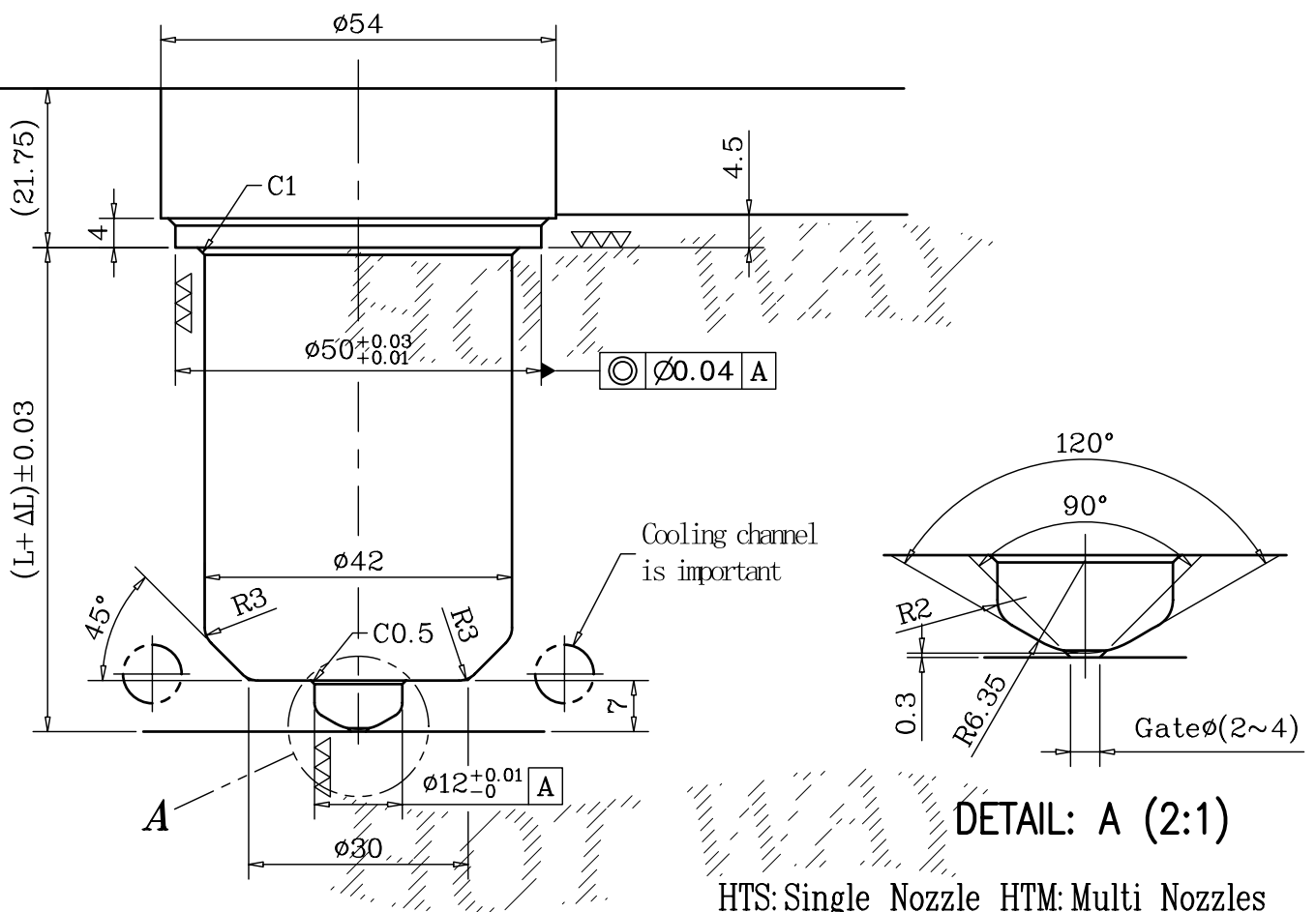
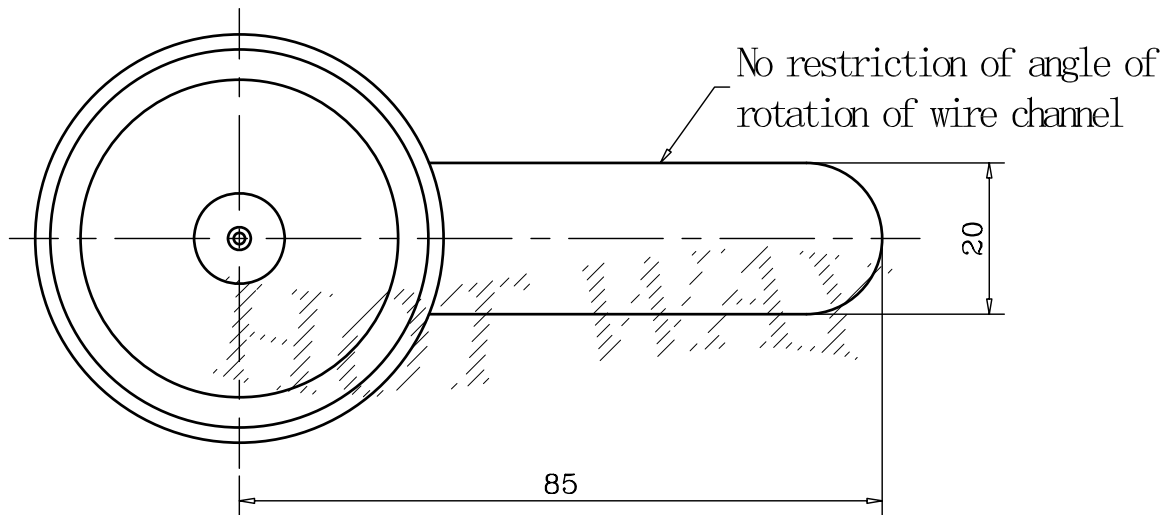


Shot Weight (gm)	
High Flow	500
Medium Flow	375
Low Flow	250

HTS: Single Nozzle HTM: Multi Nozzles

Nozzle Part No	L(mm)	Heater Part No	Wattage
HT <sub>S</sub> <sup>M</sup> -5020L	50.8	CH-5020	450W
HT <sub>S</sub> <sup>M</sup> -5025L	63.5	CH-5025	450W
HT <sub>S</sub> <sup>M</sup> -5030L	76.2	CH-5030	600W
HT <sub>S</sub> <sup>M</sup> -5035L	88.9	CH-5035	600W
HT <sub>S</sub> <sup>M</sup> -5040L	101.6	CH-5040	700W
HT <sub>S</sub> <sup>M</sup> -5050L	127.0	CH-5050	700W
HT <sub>S</sub> <sup>M</sup> -5060L	152.4	CH-5060	800W

# SERIES 50 L-TYPE



$\Delta L$ : Heat Expansion L

Nozzle Part No	L(mm)	L + $\Delta L$			
		150 °C	200 °C	250 °C	300 °C
HT <sub>S</sub> <sup>M</sup> -5020L	50.8	50.90	50.93	50.97	51.00
HT <sub>S</sub> <sup>M</sup> -5025L	63.5	63.63	63.67	63.71	63.75
HT <sub>S</sub> <sup>M</sup> -5030L	76.2	76.35	76.40	76.45	76.50
HT <sub>S</sub> <sup>M</sup> -5035L	88.9	89.08	89.13	89.19	89.25
HT <sub>S</sub> <sup>M</sup> -5040L	101.6	101.80	101.87	101.94	102.00
HT <sub>S</sub> <sup>M</sup> -5050L	127.0	127.25	127.34	127.42	127.50
HT <sub>S</sub> <sup>M</sup> -5060L	152.4	152.70	152.80	152.90	153.00