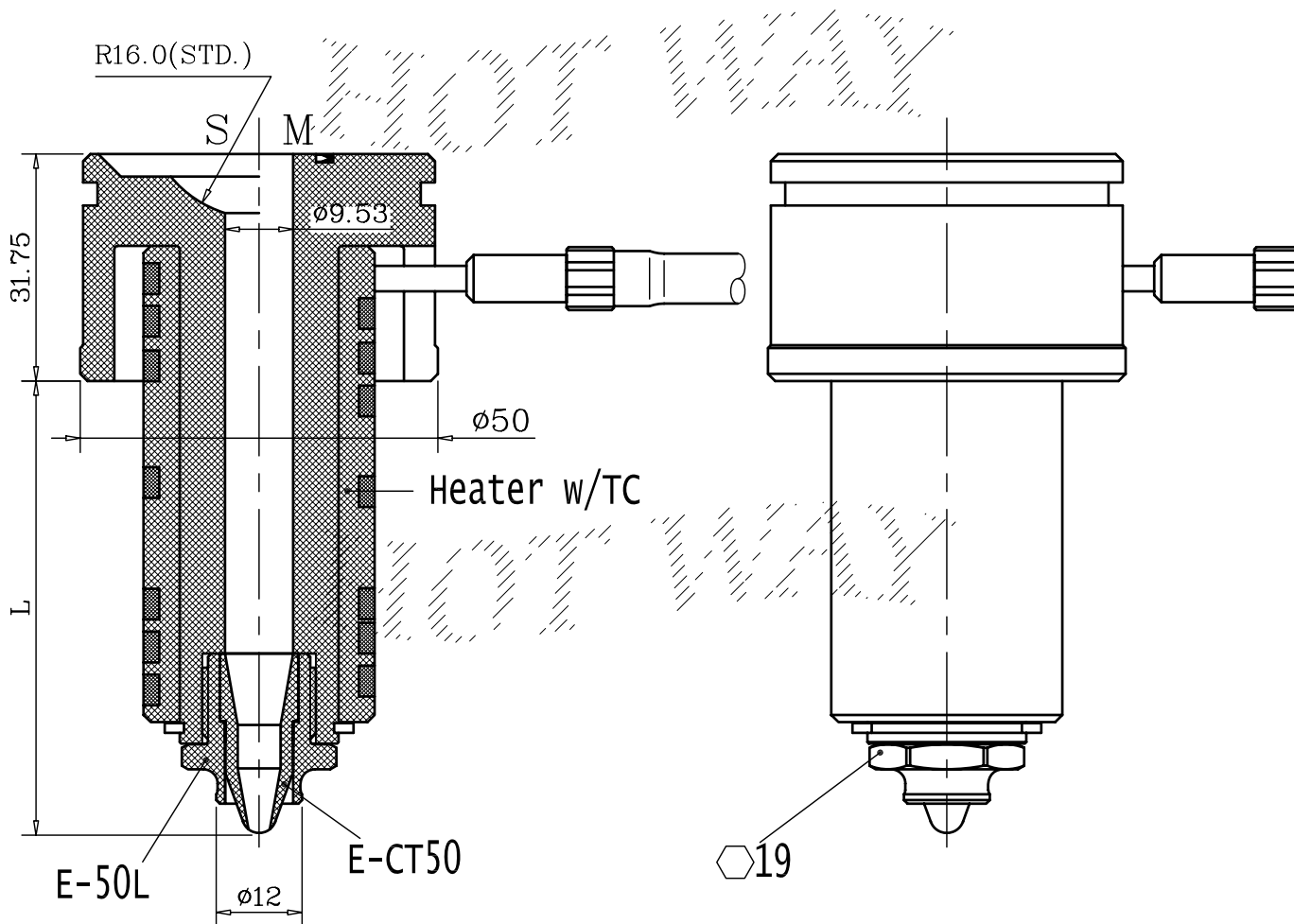


SERIES 50 LC-TYPE

S Single
M Manifold (OR-620)

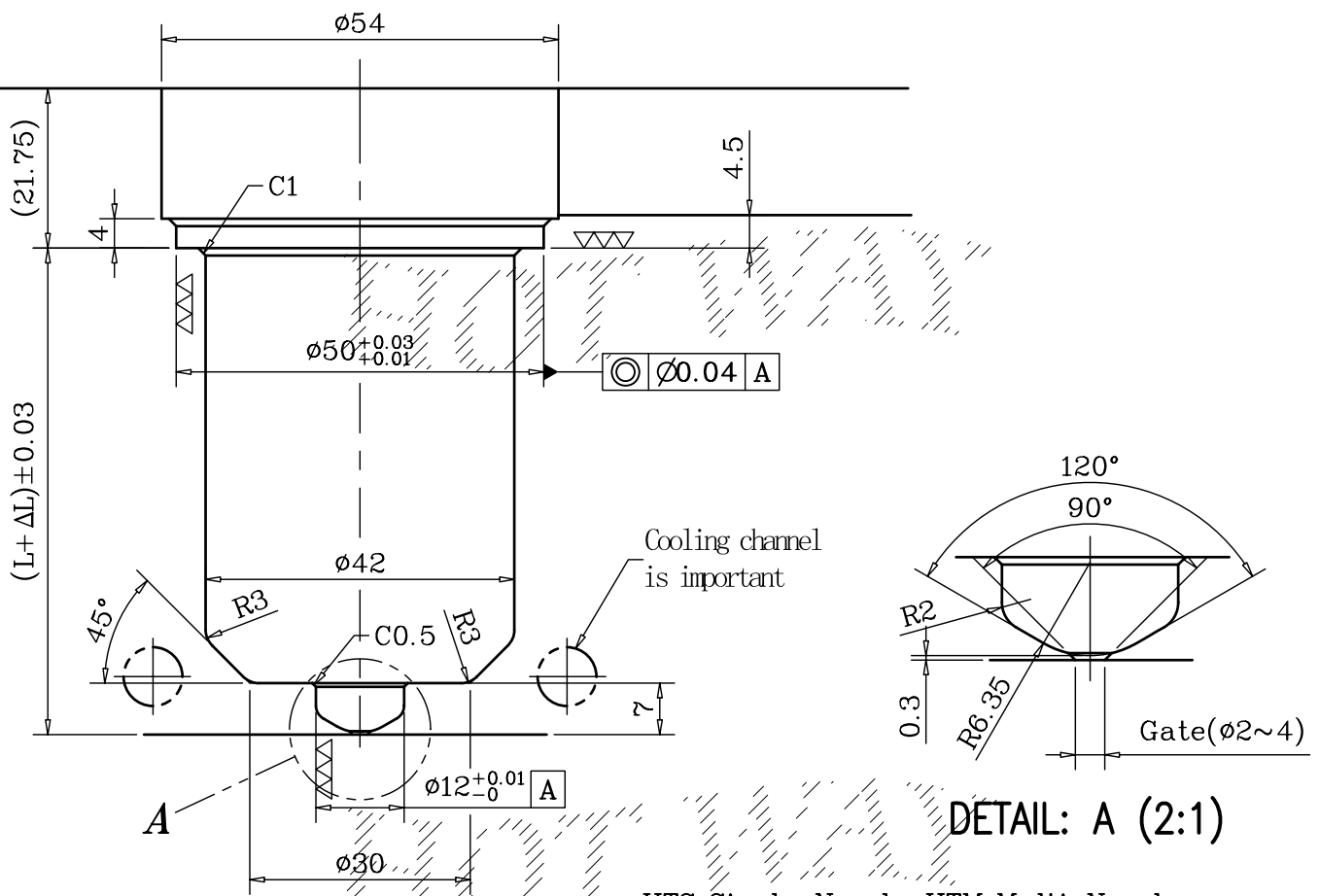
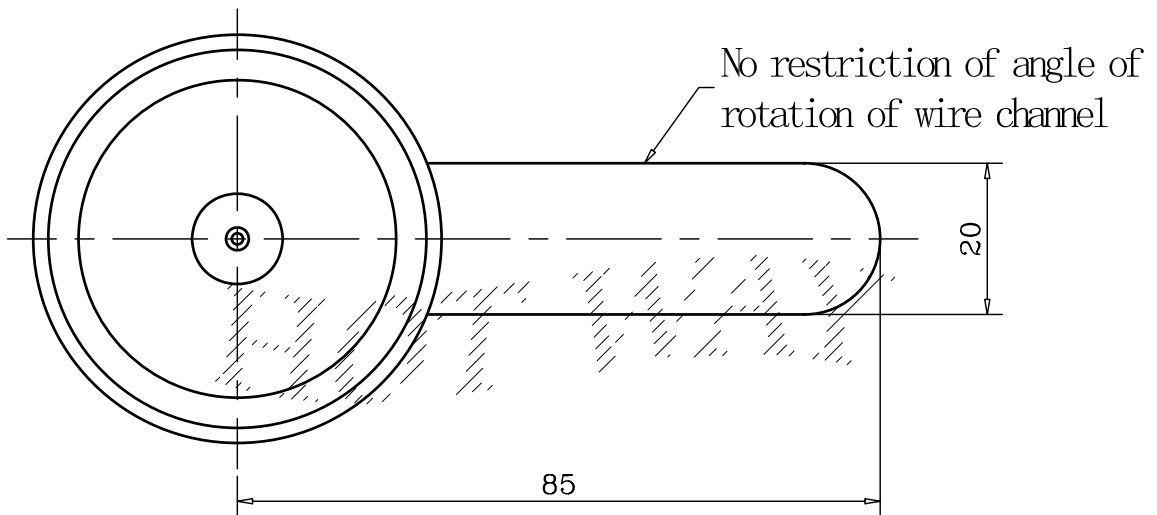


Shot weight (gm)	
High Flow	1000
Medium Flow	750
Low Flow	500

HTS: Single Nozzle HTM: Multi Nozzles

Nozzle Part No	L(mm)	Heater Part No	Wattage
HT _S ^M -5020LC	50.8	CH-5020	450W
HT _S ^M -5025LC	63.5	CH-5025	450W
HT _S ^M -5030LC	76.2	CH-5030	600W
HT _S ^M -5035LC	88.9	CH-5035	600W
HT _S ^M -5040LC	101.6	CH-5040	700W
HT _S ^M -5050LC	127.0	CH-5050	700W
HT _S ^M -5060LC	152.4	CH-5060	800W

SERIES 50 LC-TYPE



HTS: Single Nozzle HTM: Multi Nozzles

ΔL: Heat Expansion L

Nozzle Part No	L(mm)	L+ ΔL			
		150 °C	200 °C	250 °C	300 °C
HT _S ^M -5020LC	50.8	50.90	50.93	50.97	51.00
HT _S ^M -5025LC	63.5	63.63	63.67	63.71	63.75
HT _S ^M -5030LC	76.2	76.35	76.40	76.45	76.50
HT _S ^M -5035LC	88.9	89.08	89.13	89.19	89.25
HT _S ^M -5040LC	101.6	101.8	101.87	101.94	102.00
HT _S ^M -5050LC	127.0	127.25	127.34	127.42	127.50
HT _S ^M -5060LC	152.4	152.70	152.80	152.90	153.00