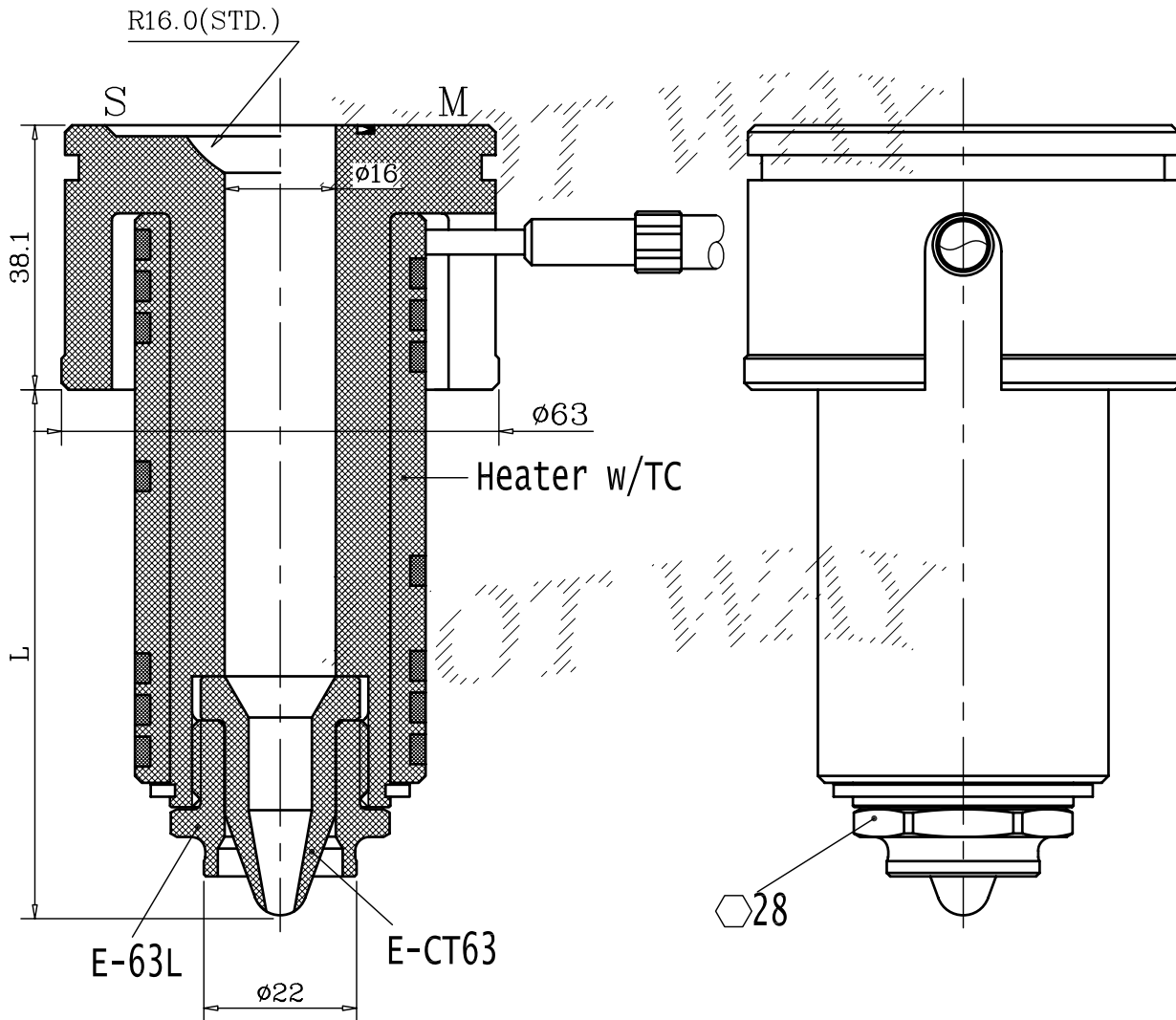


SERIES 63 LC-TYPE

S Single
M Manifold (OR-640)

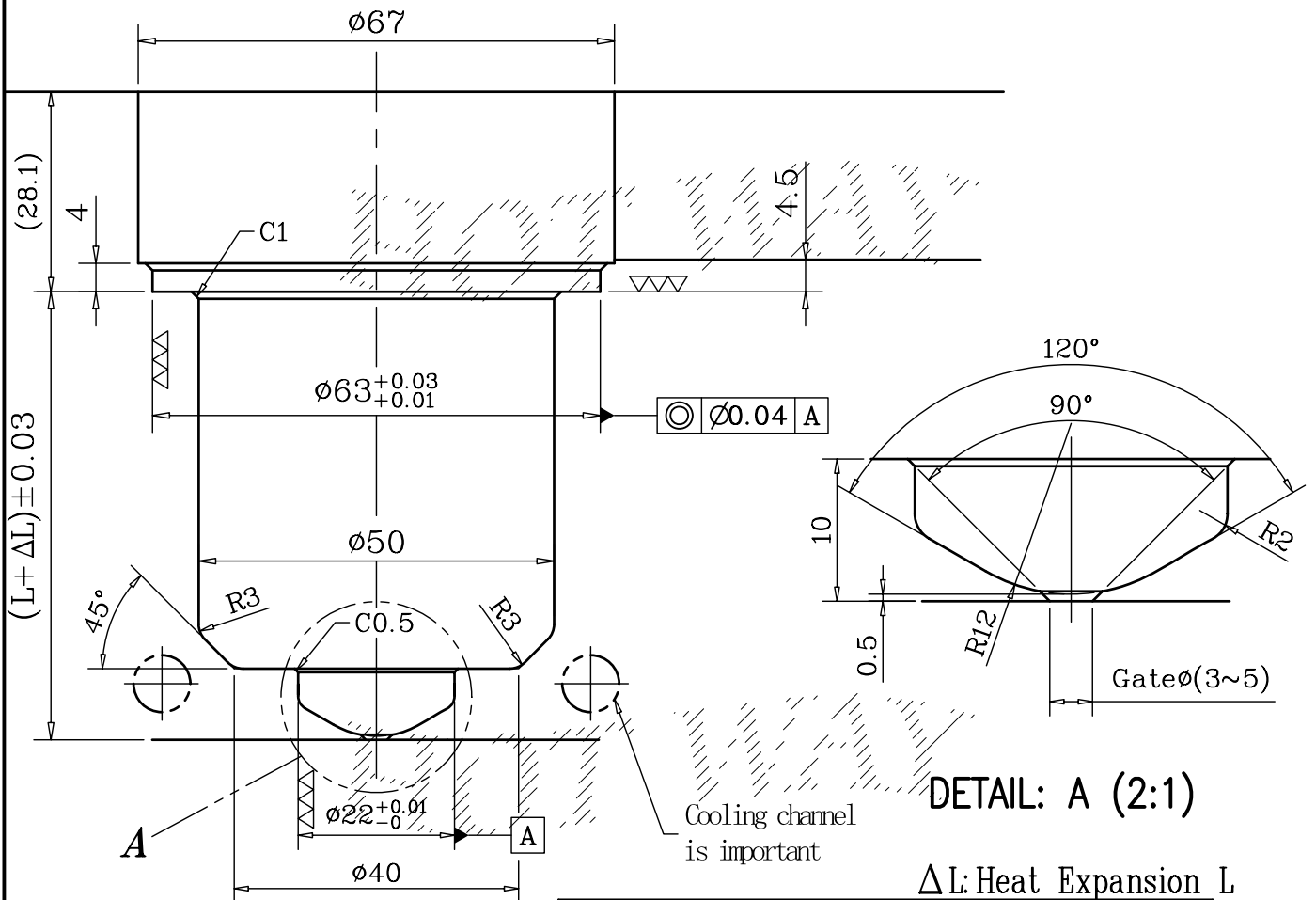
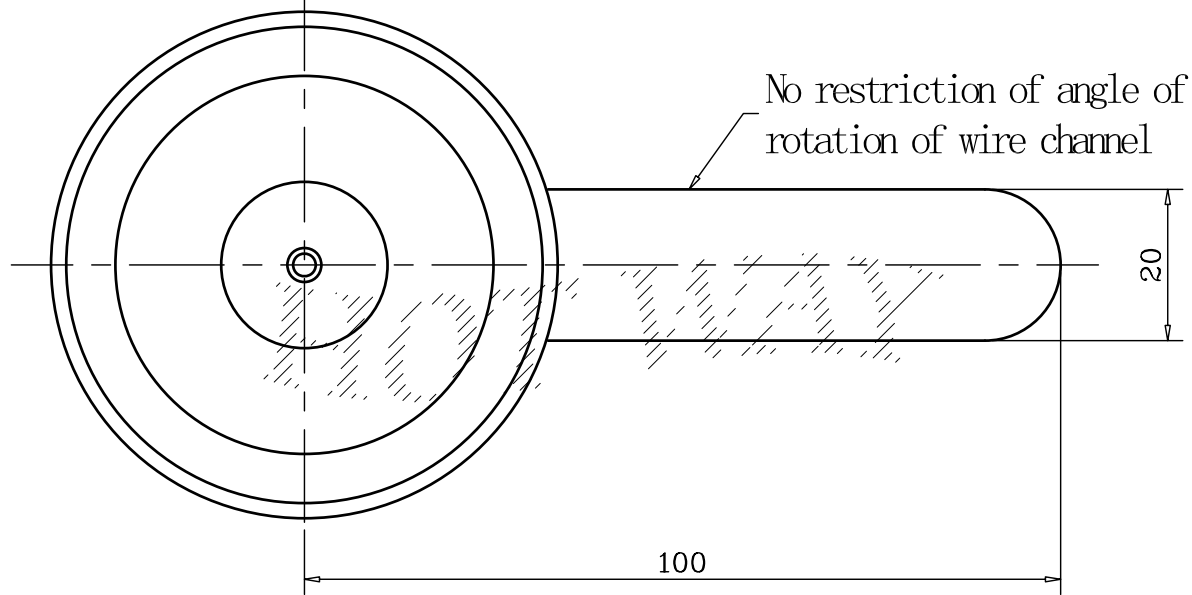


Shot weight (gm)	
High Flow	1250
Medium Flow	1000
Low Flow	750

HTS: Single Nozzle HTM: Multi Nozzles

Nozzle Part No	L(mm)	Heater Part No	Wattage
HT _S ^M -6325LC	63.5	CH-6325	500W
HT _S ^M -6335LC	88.9	CH-6335	700W
HT _S ^M -6345LC	114.3	CH-6345	800W
HT _S ^M -6355LC	139.7	CH-6355	900W
HT _S ^M -6365LC	165.1	CH-6365	900W
HT _S ^M -6385LC	215.9	CH-6385	1100W

SERIES 63 LC-TYPE



ΔL : Heat Expansion L

HTS: Single Nozzle HTM: Multi Nozzles

Nozzle Part No	L(mm)	$L + \Delta L$			
		150 °C	200 °C	250 °C	300 °C
HT _S ^M -6325LC	63.5	63.63	63.67	63.71	63.75
HT _S ^M -6335LC	88.9	89.08	89.13	89.19	89.25
HT _S ^M -6345LC	114.3	114.53	114.60	114.68	114.75
HT _S ^M -6355LC	139.7	139.98	140.07	140.16	140.25
HT _S ^M -6365LC	165.1	165.43	165.54	165.64	165.75
HT _S ^M -6385LC	215.9	216.33	216.47	216.61	216.75