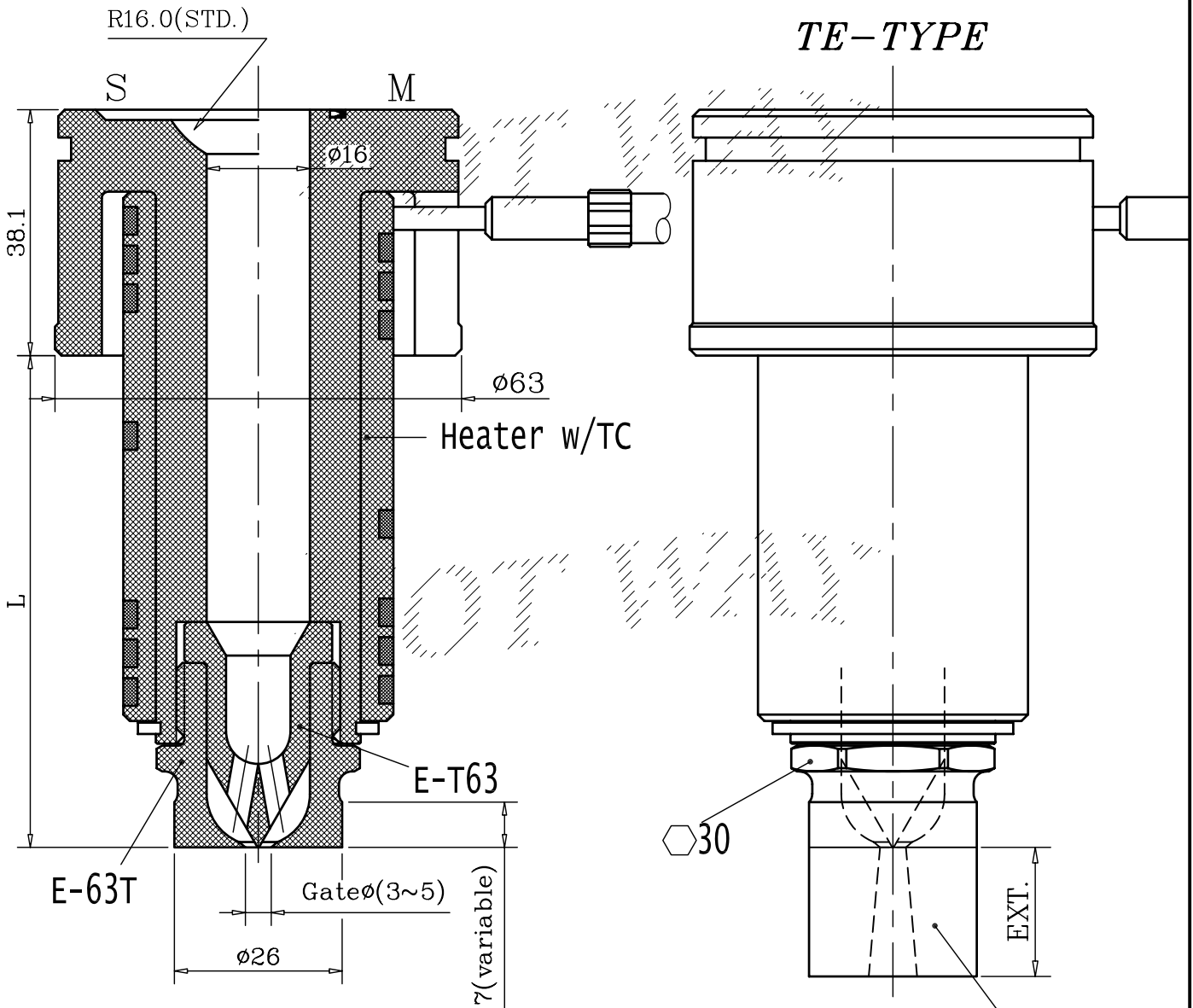


SERIES 63 T/TE-TYPE

S Single
M Manifold (OR-640)



| Shot weight (gm) | |
|------------------|-----|
| High Flow | 900 |
| Medium Flow | 650 |
| Low Flow | 425 |

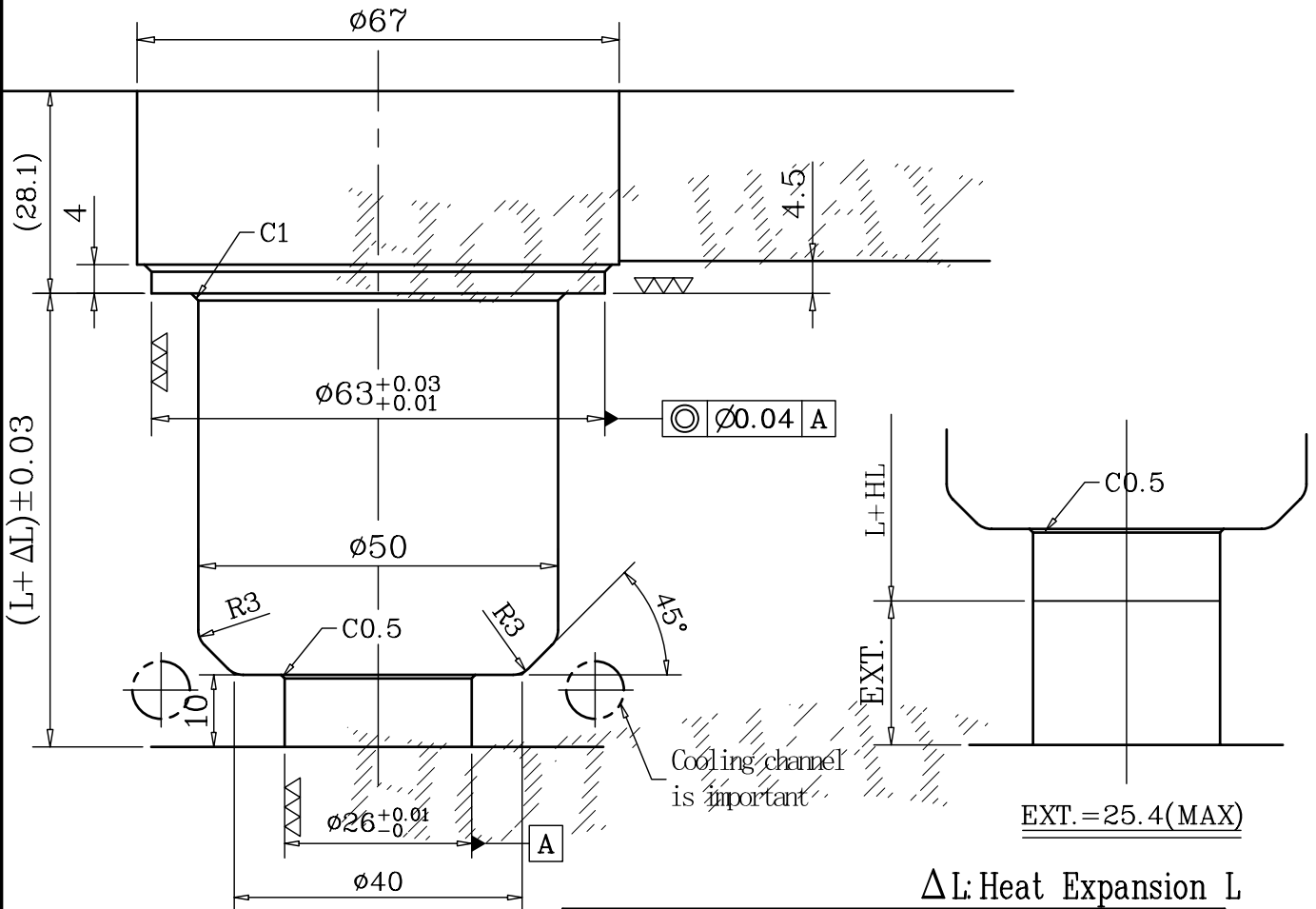
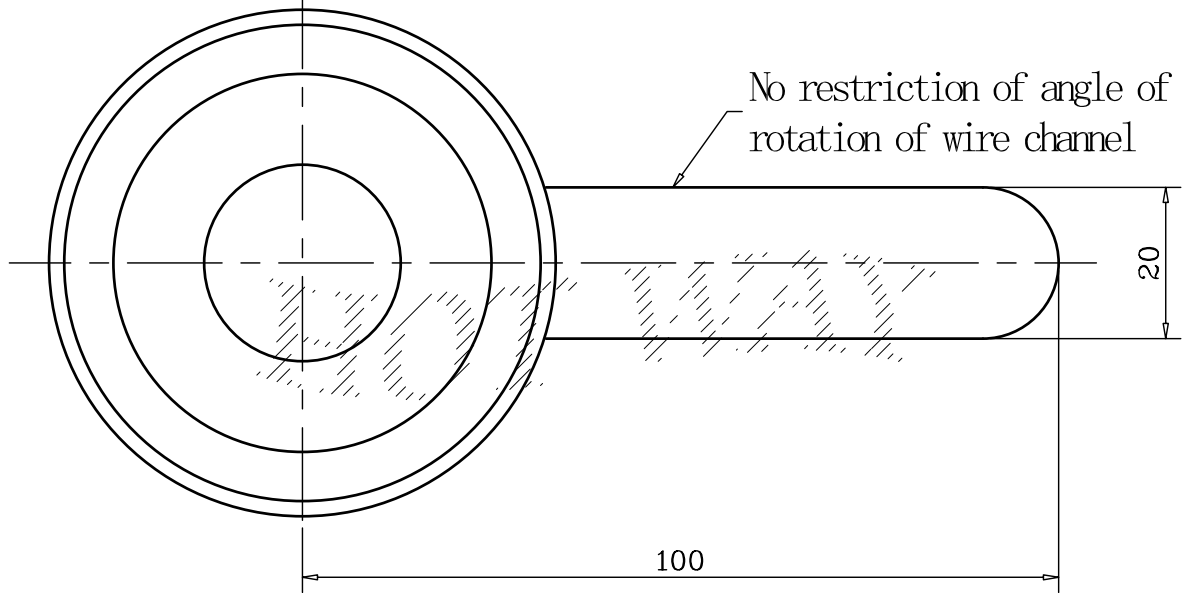
E-63TE

EXT. = 25.4 (MAX)

HTS: Single Nozzle HTM: Multi Nozzles

| Nozzle Part No | L(mm) | Heater Part No | Wattage |
|-------------------------------------|-------|----------------|---------|
| HT _S ^M -6325T | 63.5 | CH-6325 | 500W |
| HT _S ^M -6335T | 88.9 | CH-6335 | 700W |
| HT _S ^M -6345T | 114.3 | CH-6345 | 800W |
| HT _S ^M -6355T | 139.7 | CH-6355 | 900W |
| HT _S ^M -6365T | 165.1 | CH-6365 | 900W |
| HT _S ^M -6385T | 215.9 | CH-6385 | 1100W |

SERIES 63 T/TE-TYPE



ΔL : Heat Expansion L

HTS: Single Nozzle HTM: Multi Nozzles

| Nozzle Part No | L(mm) | L+ΔL | | | |
|-------------------------------------|-------|--------|--------|--------|--------|
| | | 150 °C | 200 °C | 250 °C | 300 °C |
| HT _S ^M -6325T | 63.5 | 63.63 | 63.67 | 63.71 | 63.75 |
| HT _S ^M -6335T | 88.9 | 89.08 | 89.13 | 89.19 | 89.25 |
| HT _S ^M -6345T | 114.3 | 114.53 | 114.60 | 114.68 | 114.75 |
| HT _S ^M -6355T | 139.7 | 139.98 | 140.07 | 140.16 | 140.25 |
| HT _S ^M -6365T | 165.1 | 165.43 | 165.54 | 165.64 | 165.75 |
| HT _S ^M -6385T | 215.9 | 216.33 | 216.47 | 216.61 | 216.75 |