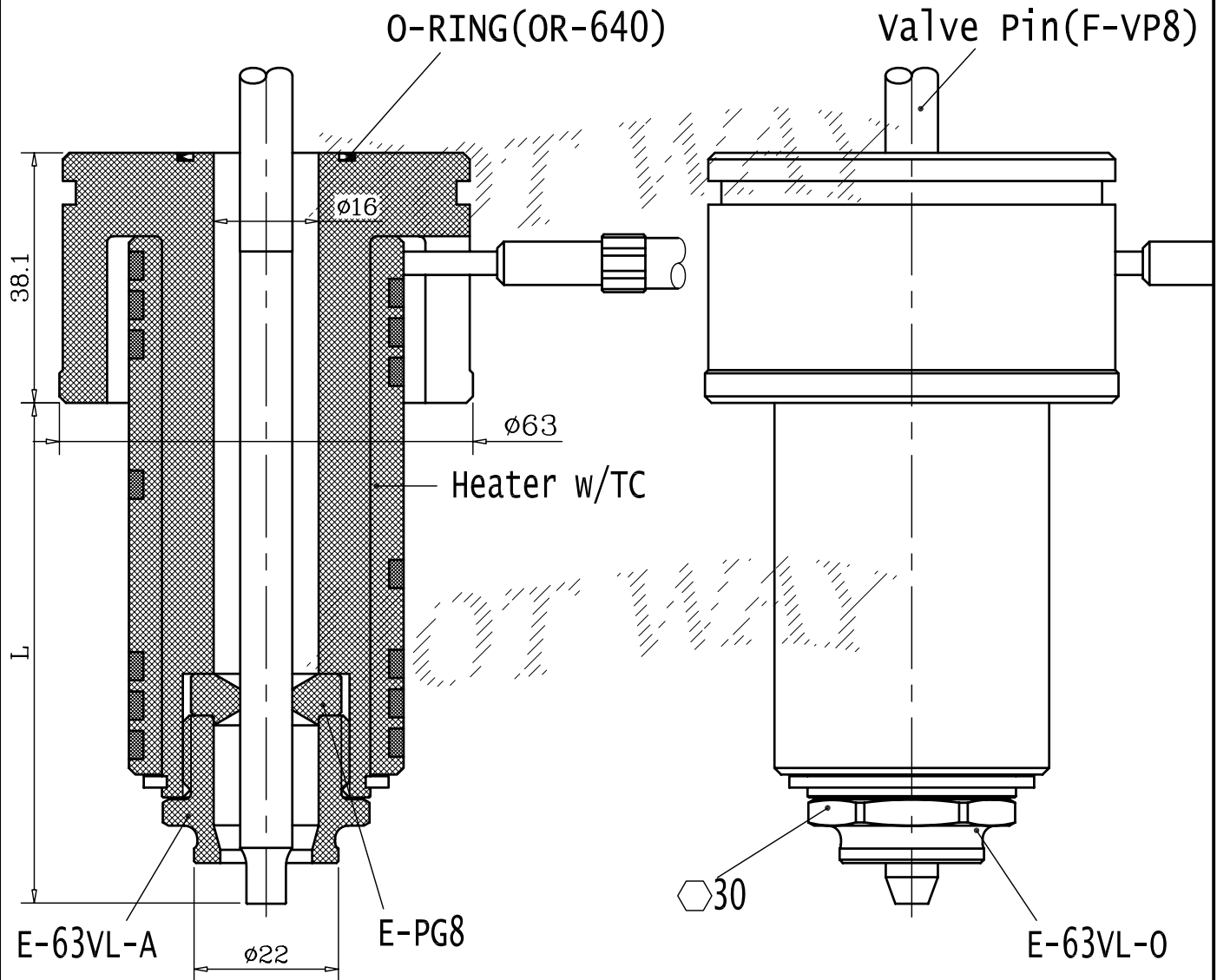


# SERIES 63 VL-TYPE

## VALVE GATE

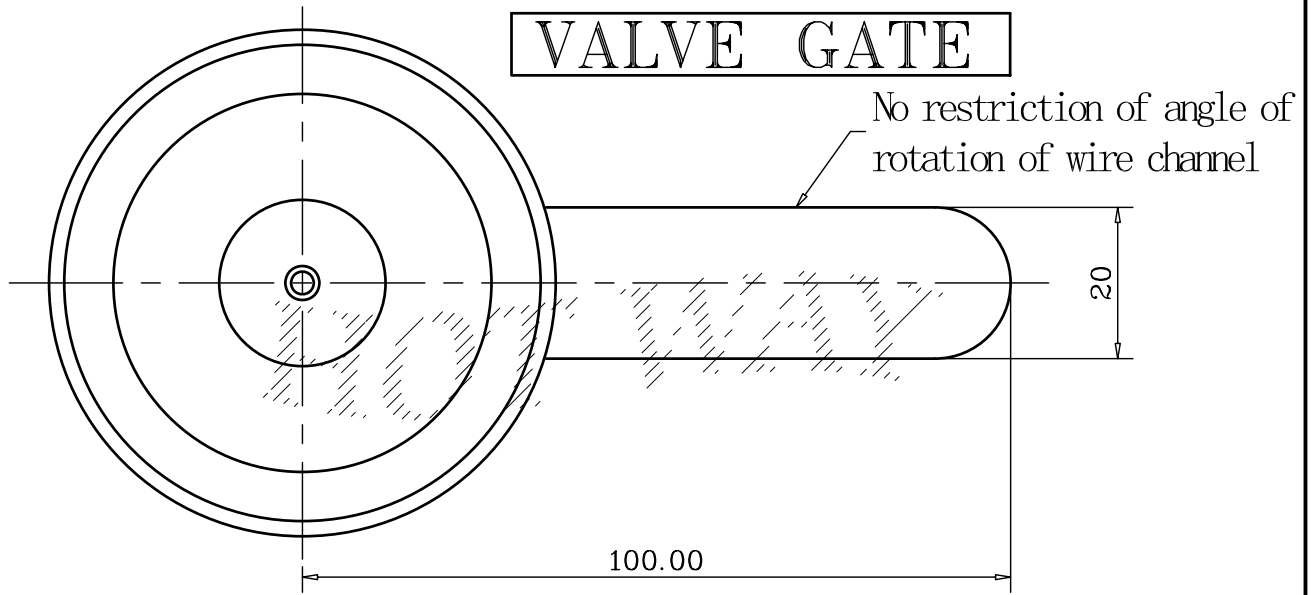


Shot weight (gm)	
High Flow	1500
Medium Flow	1000
Low Flow	750

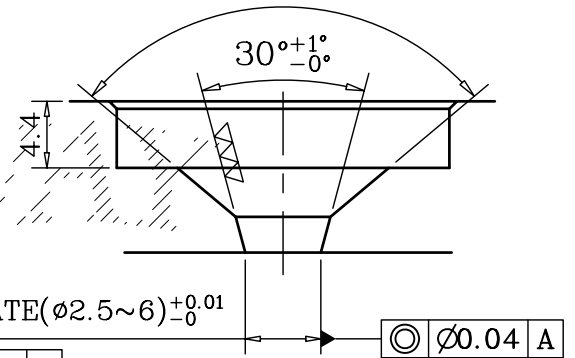
Nozzle Part No	L(mm)	Heater Part No	Wattage
HTM-6325VL	63.5	CH-6325	500W
HTM-6335VL	88.9	CH-6335	700W
HTM-6345VL	114.3	CH-6345	800W
HTM-6355VL	139.7	CH-6355	900W
HTM-6365VL	165.1	CH-6365	900W
HTM-6385VL	215.9	CH-6385	1100W

# SERIES 63 VL-TYPE

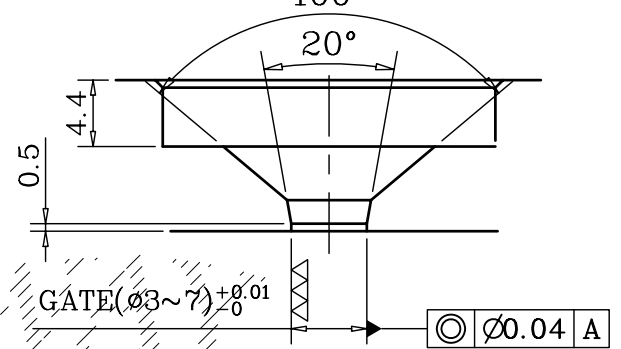
## VALVE GATE



### Hydraulic Use

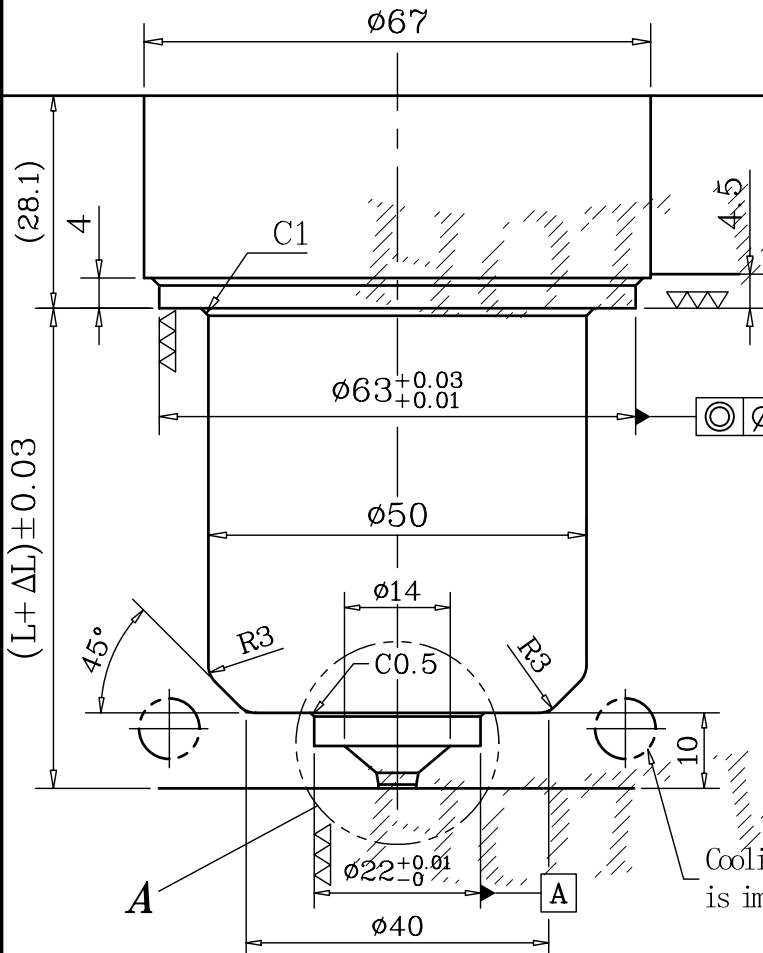


### Pneumatic Use



### DETAIL: A (2:1)

ΔL: Heat Expansion L



Nozzle Part No	L(mm)	L+ ΔL			
		150 °C	200 °C	250 °C	300 °C
HTM-6325VL	63.5	63.63	63.67	63.71	63.75
HTM-6335VL	88.9	89.08	89.13	89.19	89.25
HTM-6345VL	114.3	114.53	114.60	114.68	114.75
HTM-6355VL	139.7	139.98	140.07	140.16	140.25
HTM-6365VL	165.1	165.43	165.54	165.64	165.75
HTM-6385VL	215.9	216.33	216.47	216.61	216.75