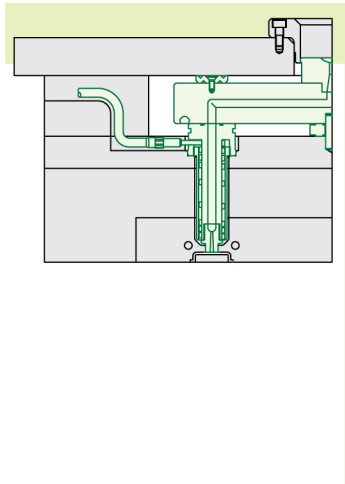
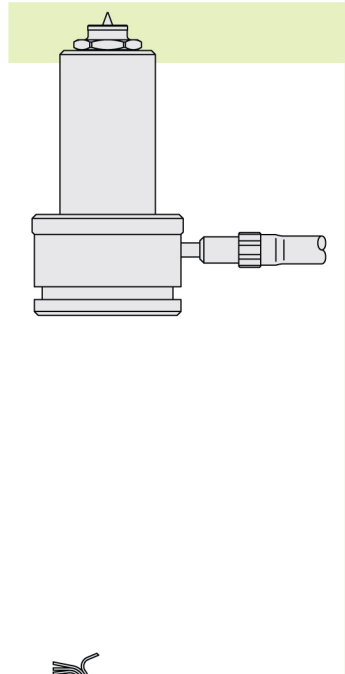
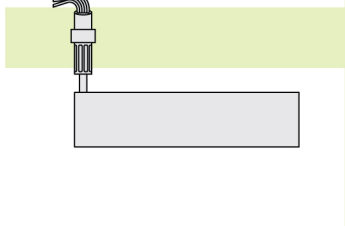
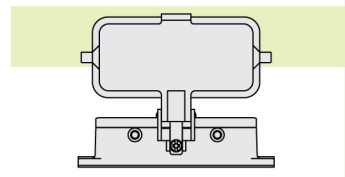




Table of Contents

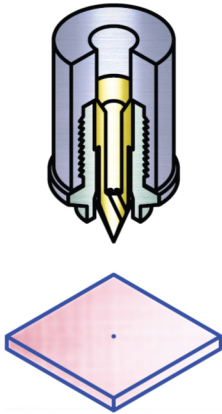
	Introduction	
	Multiple and Single Nozzle Hot Runner System	0-1
	Gating Type	0-2
	Gating Selection	0-3
	Plastic Processing Temperature	0-4
	Nozzle Series Selection	0-5
	Nozzle	
	38 SERIES	1-1
	50 SERIES	2-1
	63 SERIES	3-1
	M20 SERIES	4-1
	M25 SERIES	5-1
	M30 SERIES	6-1
	M40 SERIES M50 SERIES	7-1 8-1
	Casting Heater	
	Casting Heater	9-1
	Connector	
	Connector	A-1



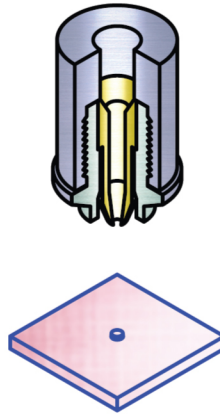
Gating Type



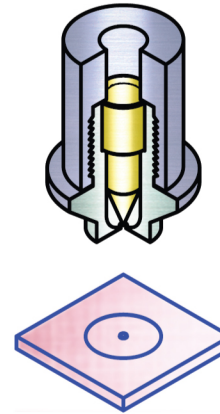
L-TYPE



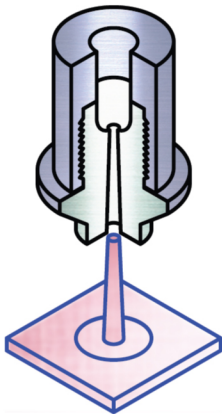
LC-TYPE



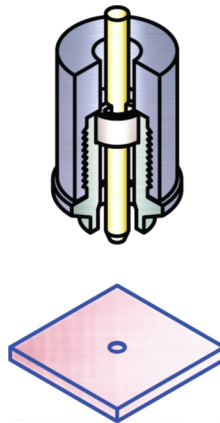
T-TYPE



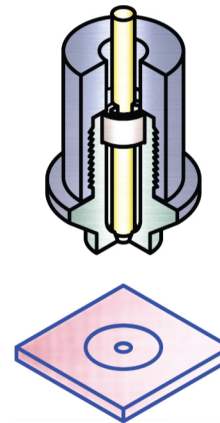
S-TYPE



VL-TYPE









VT-TYPE





Gating Selection

Plastic Resin	Gating Type						
	 L-TYPE	 LC-TYPE	 T-TYPE	 S-TYPE	 VL-TYPE	 VT-TYPE	
Amorphous Material	ABS	●●●	●●●	●●	●	●●●	●
	CAB	●●●	●●●	●●	●	●●●	●
	PC	●●●	●●●	●●	●	●●●	●
	PEI	●●	●●●	●●	●	●●●	●
	PES	●●●	●●●	●●●	●	●●●	●
	PMMA	●●●	●●●	●●	●	●●	●
	PPO	●●●	●●●	●●	●	●●●	●
	PS	●●●	●●●	●●	●	●●●	●
	PSU	●●●	●●●	●●●	●	●●●	●
	PVC	●●	●●	●	●	●●●	●
	SB	●●●	●●●	●●	●	●●●	●
	SAN	●●●	●●●	●●	●	●●●	●
	TPU	●●	●●	●	●	●●●	●
	Crystalline Material	LCP	●●●	●	●●●	●●●	●
PA		●●●	●●	●●●	●●●	●●	●●●
PBT		●●●	●●	●●●	●●●	●●	●●●
PE		●●●	●●●	●●	●	●●●	●
PEEK		●●●	●	●●	●●●	●	●●●
PET		●●●	●●	●●●	●●●	●●	●●●
POM		●●●	●●	●●●	●●●	●●	●●●
PP		●●●	●●●	●●	●	●●●	●
PPS		●●●	●	●●	●●●	●	●●●

 Recommended
  Application Dependant
  Not Recommended








Plastic Processing Temperature

Plastic Resin	Melt Flow	Temperature(°C)			
		Melt Temp	Process Temp	Mold Temp	
Amorphous Material	ABS	Mid	110	250	75
	CAB	Mid	140	215	55
	PC	Mid	220	300	90
	PEI	High	215	370	100
	PES	High	230	330	150
	PMMA	Mid	100	245	70
	PPO	High	120	300	80
	PS	Low	100	225	45
	PSU	High	200	315	150
	PVC	High	100	195	35
	SB	Low	100	225	70
	SAN	Mid	115	255	80
	TPU	Low	150	210	35
Crystalline Material	LCP	High	330	400	175
	PA6	Mid	220	250	90
	PA6.6	Mid	255	285	90
	PA610	Mid	215	250	90
	PA11,12	Mid	175	230	60
	PBT	High	245	285	140
	PE	Low	140	250	25
	PEEK	High	335	370	160
	PET	High	245	285	140
	POM	Mid	180	200	100
	PP	Low	165	255	35
PPS	High	290	330	110	






/// Nozzle Series Selection (1)

Gating Type	Maxium Shot Weight (gm)								
	38 Series			50 Series			63 Series		
	Flow Index	Low	Mid	High	Low	Mid	High	Low	Mid
 L-TYPE	75	125	200	250	375	500	375	500	750
 LC-TYPE	250	375	500	500	750	1000	750	1000	1250
 T-TYPE	150	200	250	250	375	500	425	650	900
 S-TYPE	250	375	500	500	750	1000	1000	1250	1500
 VL-TYPE	150	250	375	250	500	750	750	1000	1500
 VT-TYPE	150	250	375	250	500	750	750	1000	1500



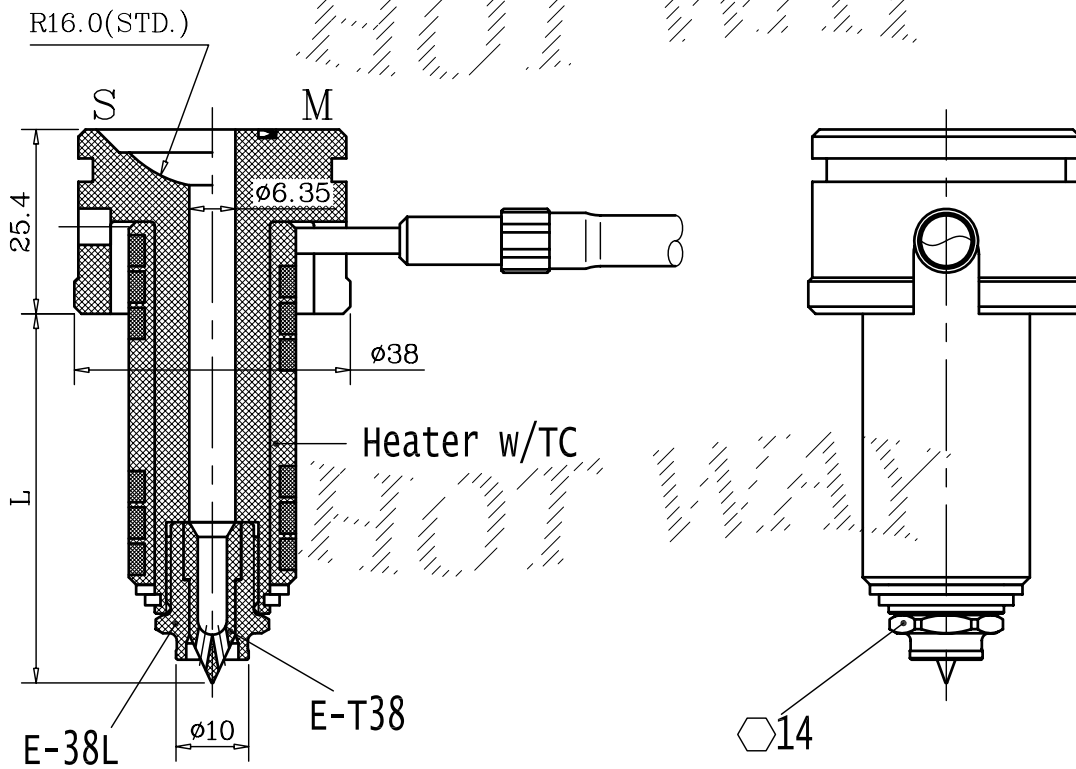
/// Nozzle Series Selection (2)

Gating Type	Maxium Shot Weight (gm)					
	M40 Series			M50 Series		
	Flow Index	Low	Mid	High	Low	Mid
 L-TYPE	75	125	200	250	375	500
 LC-TYPE	250	375	500	500	750	1000

Gating Type	Maxium Shot Weight (gm)								
	M20 Series			M25 Series			M30 Series		
	Flow Index	Low	Mid	High	Low	Mid	High	Low	Mid
 L-TYPE	5	15	30	15	45	75	45	75	100

SERIES 38 L-TYPE

S Single
M Manifold(OR-610)



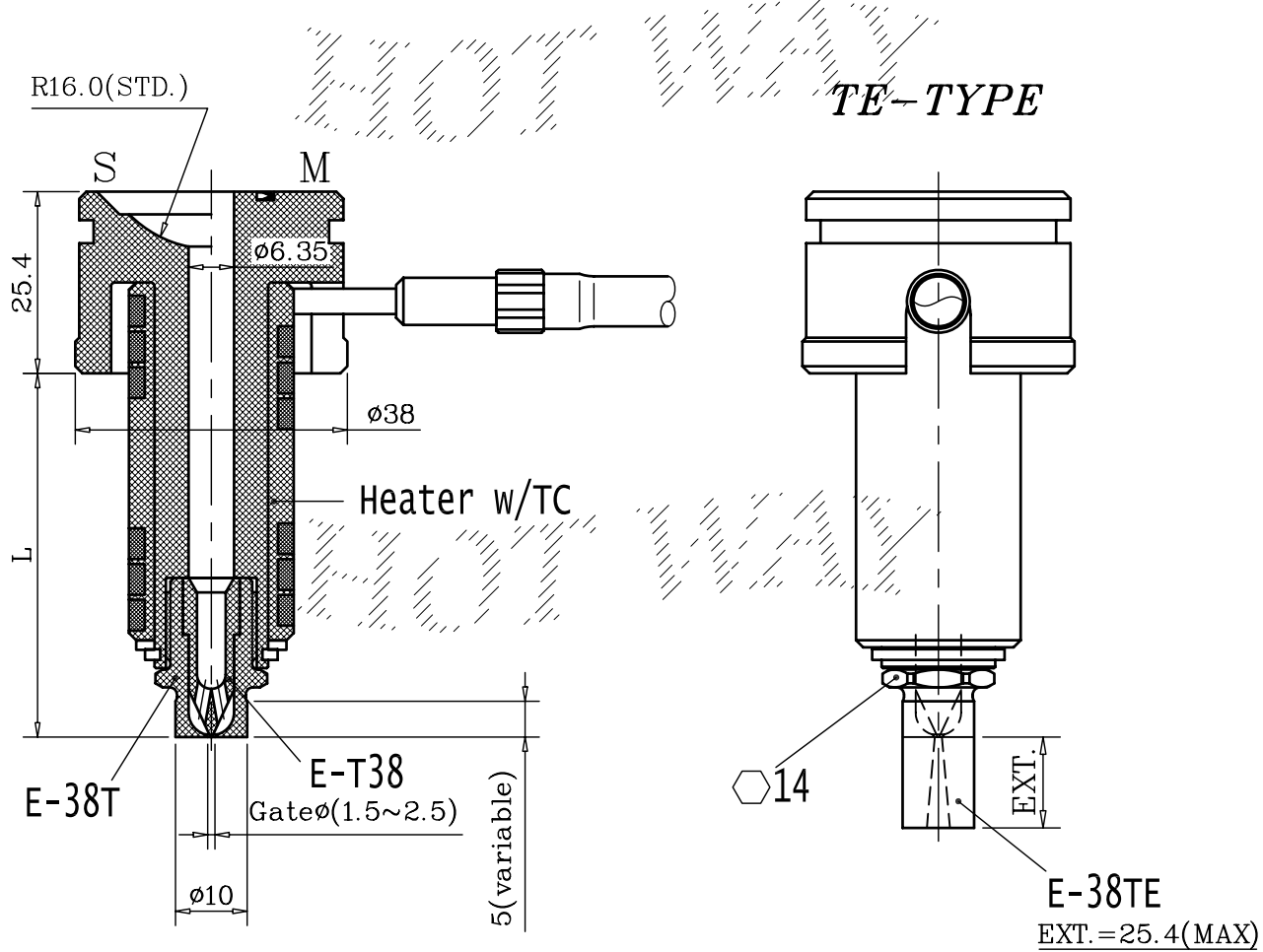
Shot weight (gm)	
High Flow	150
Medium Flow	125
Low Flow	75

HTS: Single Nozzle HTM: Multi Nozzles

Nozzle Part No	L(mm)	Heater Part No	Wattage
HT _S ^M -3820L	50.8	CH-3820	300W
HT _S ^M -3825L	63.5	CH-3825	300W
HT _S ^M -3830L	76.2	CH-3830	450W
HT _S ^M -3835L	88.9	CH-3835	450W
HT _S ^M -3845L	114.3	CH-3845	600W
HT _S ^M -3855L	139.7	CH-3855	600W
HT _S ^M -3865L	165.1	CH-3865	700W

SERIES 38 T/TE-TYPE

S Single
M Manifold(OR-610)

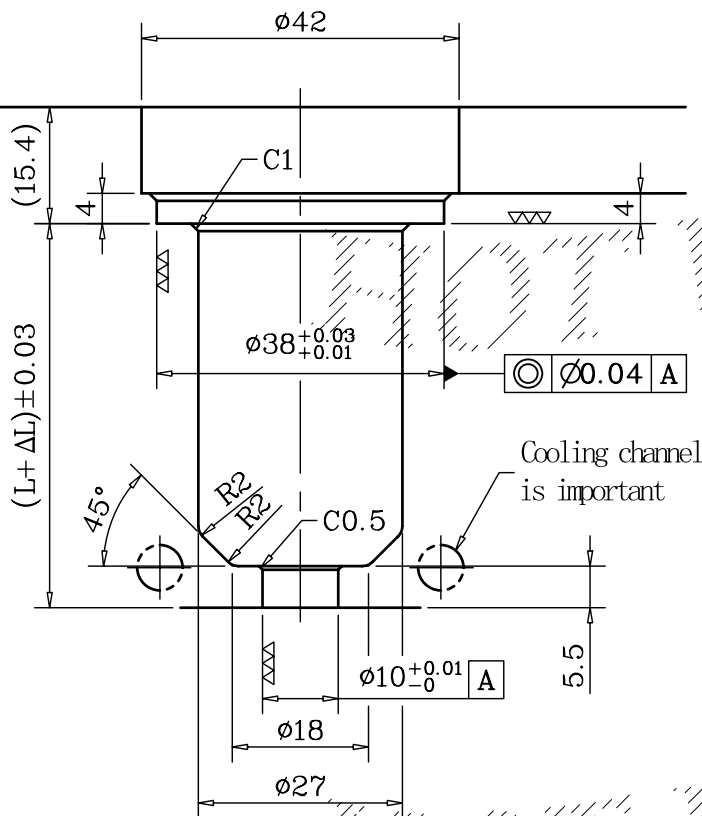
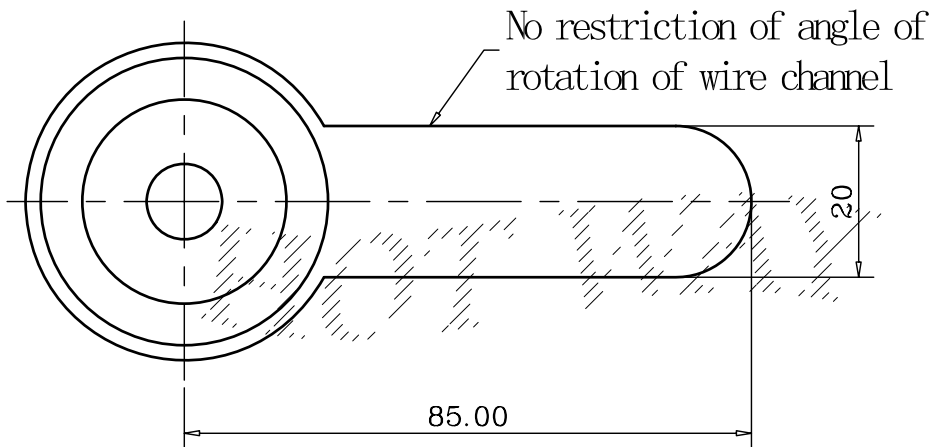


Shot weight (gm)	
High Flow	150
Medium Flow	125
Low Flow	100

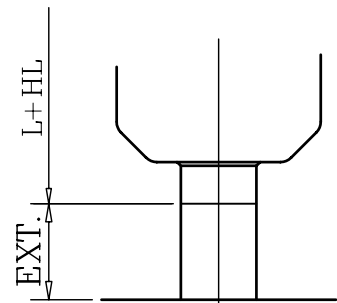
HTS: Single Nozzle HTM: Multi Nozzles

Nozzle Part No	L(mm)	Heater Part No	Wattage
HT _S ^M -3820T	50.8	CH-3820	300W
HT _S ^M -3825T	63.5	CH-3825	300W
HT _S ^M -3830T	76.2	CH-3830	450W
HT _S ^M -3835T	88.9	CH-3835	450W
HT _S ^M -3845T	114.3	CH-3845	600W
HT _S ^M -3855T	139.7	CH-3855	600W
HT _S ^M -3865T	165.1	CH-3865	700W

SERIES 38 T/TE-TYPE



TE-TYPE



EXT. = 25.4 (MAX)

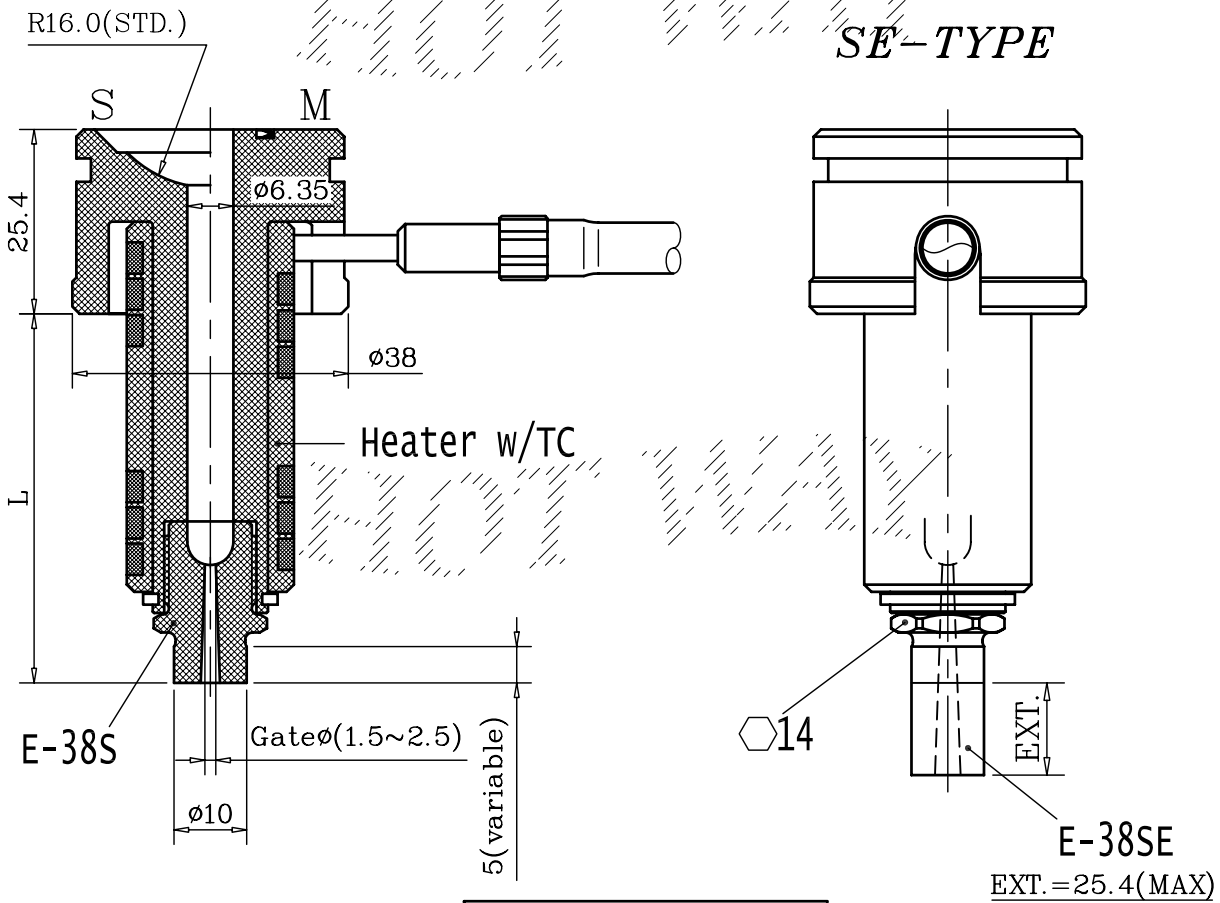
HTS: Single Nozzle HTM: Multi Nozzles

ΔL : Heat Expansion L

Nozzle Part No	L(mm)	L+ ΔL			
		150 °C	200 °C	250 °C	300 °C
HT _S ^M -3820T	50.8	50.90	50.93	50.97	51.00
HT _S ^M -3825T	63.5	63.63	63.67	63.71	63.75
HT _S ^M -3830T	76.2	76.35	76.40	76.45	76.50
HT _S ^M -3835T	88.9	89.08	89.13	89.19	89.25
HT _S ^M -3845T	114.3	114.53	114.60	114.68	114.75
HT _S ^M -3855T	139.7	139.98	140.07	140.16	140.25
HT _S ^M -3865T	165.1	165.43	165.54	165.64	165.75

SERIES 38 S/SE-TYPE

S Single
M Manifold(OR-610)

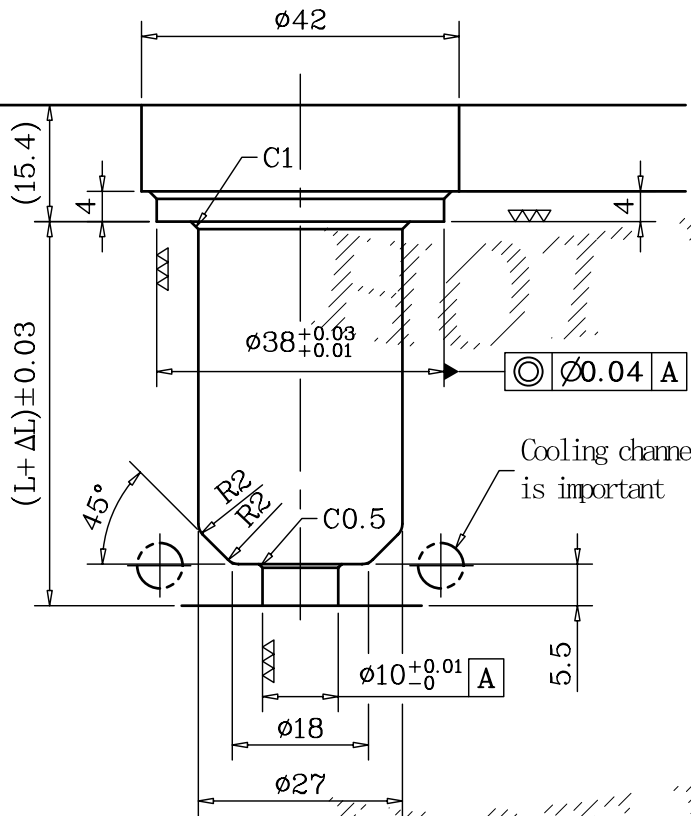
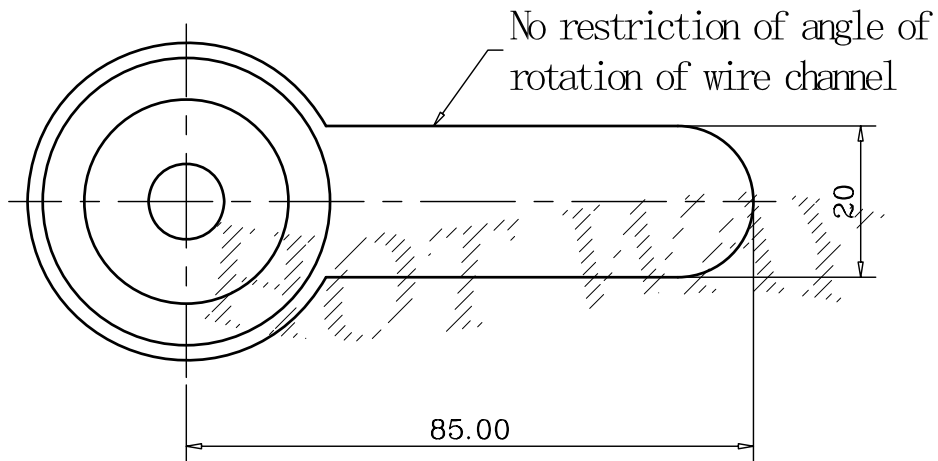


Shot weight (gm)	
High Flow	250
Medium Flow	200
Low Flow	150

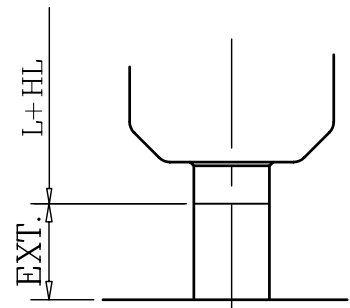
HTS: Single Nozzle HTM: Multi Nozzles

Nozzle Part No	L(mm)	Heater Part No	Wattage
HT _S ^M -3820S	50.8	CH-3820	300W
HT _S ^M -3825S	63.5	CH-3825	300W
HT _S ^M -3830S	76.2	CH-3830	450W
HT _S ^M -3835S	88.9	CH-3835	450W
HT _S ^M -3845S	114.3	CH-3845	600W
HT _S ^M -3855S	139.7	CH-3855	600W
HT _S ^M -3865S	165.1	CH-3865	700W

SERIES 38 S/SE-TYPE



SE-TYPE



EXT. = 25.4 (MAX)

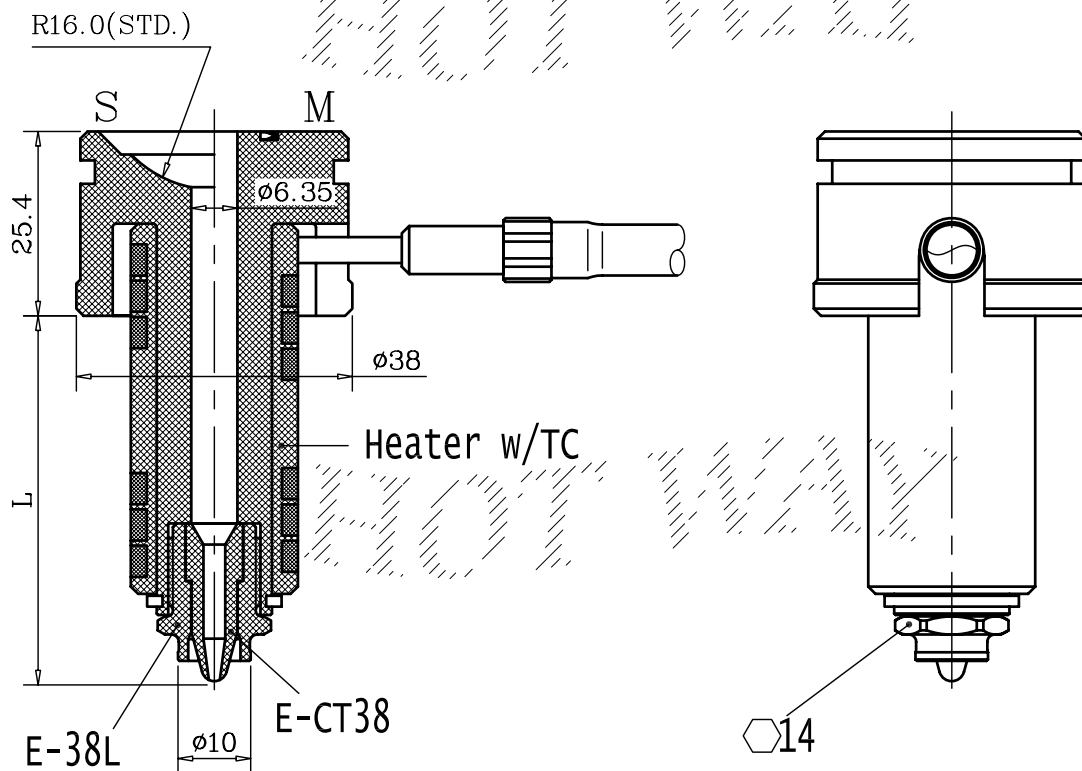
HTS: Single Nozzle HTM: Multi Nozzles

ΔL : Heat Expansion L

Nozzle Part No	L(mm)	L + ΔL			
		150 °C	200 °C	250 °C	300 °C
HT _S ^M -3820S	50.8	50.90	50.93	50.97	51.00
HT _S ^M -3825S	63.5	63.63	63.67	63.71	63.75
HT _S ^M -3830S	76.2	76.35	76.40	76.45	76.50
HT _S ^M -3835S	88.9	89.08	89.13	89.19	89.25
HT _S ^M -3845S	114.3	114.53	114.60	114.68	114.75
HT _S ^M -3855S	139.7	139.98	140.07	140.16	140.25
HT _S ^M -3865S	165.1	165.43	165.54	165.64	165.75

SERIES 38 LC-TYPE

S Single
 M Manifold(OR-610)



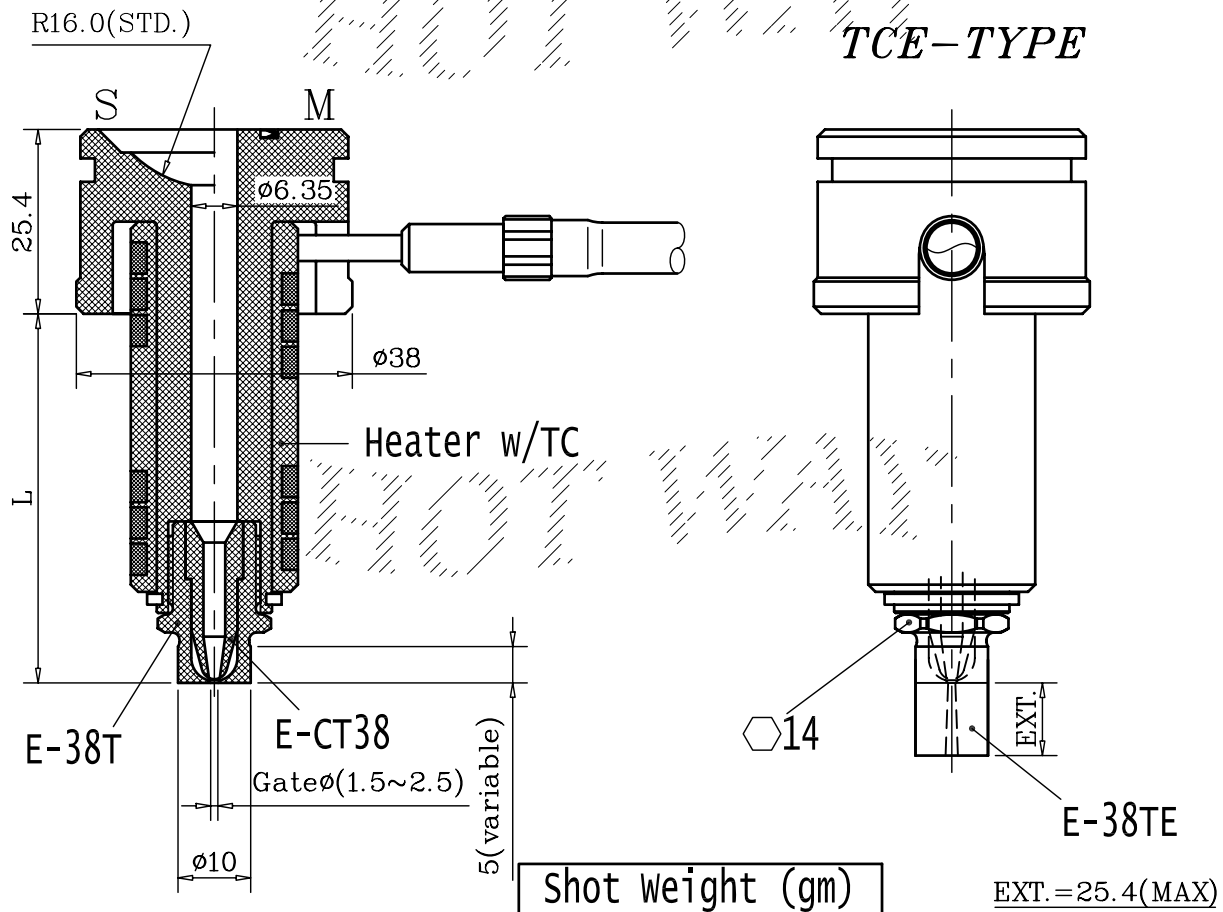
Shot weight (gm)	
High Flow	150
Medium Flow	125
Low Flow	100

HTS: Single Nozzle HTM: Multi Nozzles

Nozzle Part No	L(mm)	Heater Part No	Wattage
HT _S ^M -3820LC	50.8	CH-3820	300W
HT _S ^M -3825LC	63.5	CH-3825	300W
HT _S ^M -3830LC	76.2	CH-3830	450W
HT _S ^M -3835LC	88.9	CH-3835	450W
HT _S ^M -3845LC	114.3	CH-3845	600W
HT _S ^M -3855LC	139.7	CH-3855	600W
HT _S ^M -3865LC	165.1	CH-3865	700W

SERIES 38 TC/TCE-TYPE

S Single
M Manifold(OR-610)



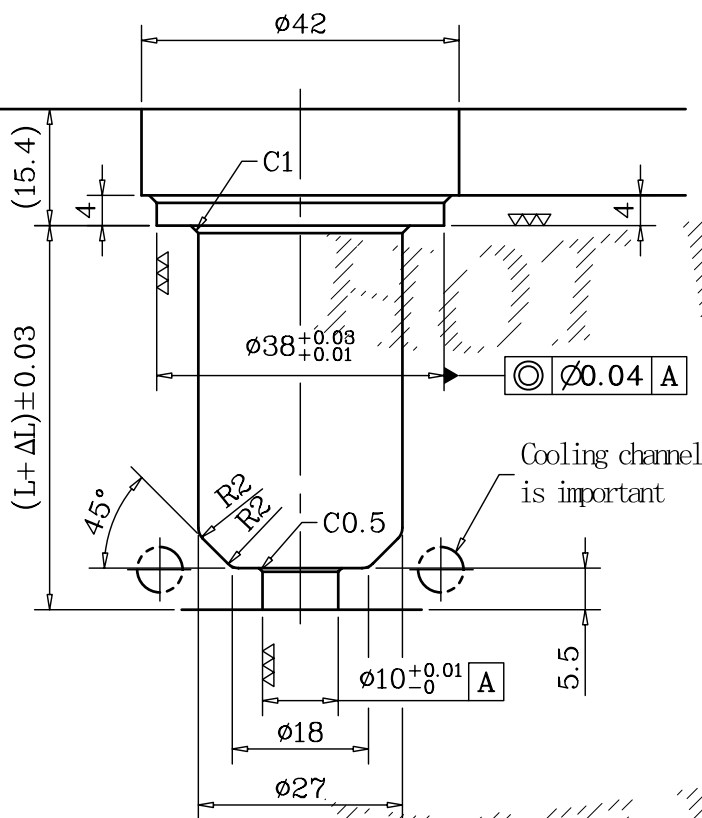
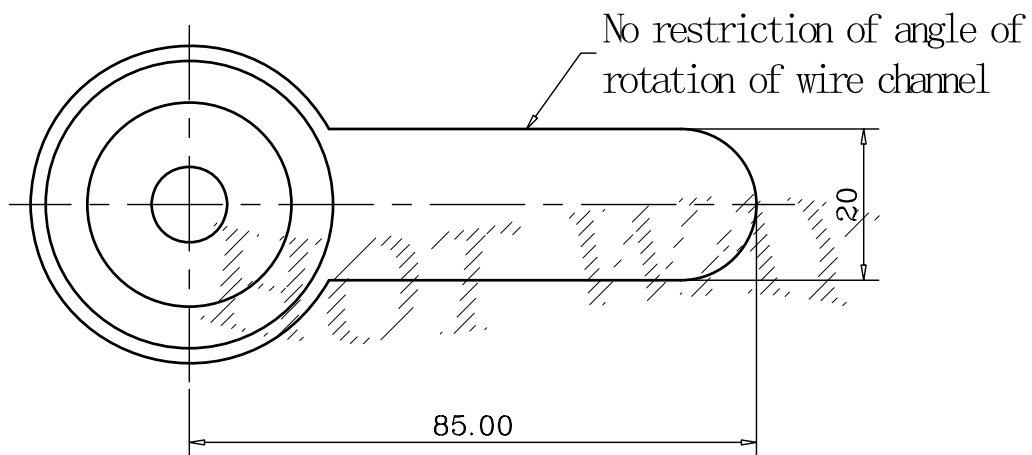
Shot weight (gm)	
High Flow	175
Medium Flow	150
Low Flow	125

EXT. = 25.4 (MAX)

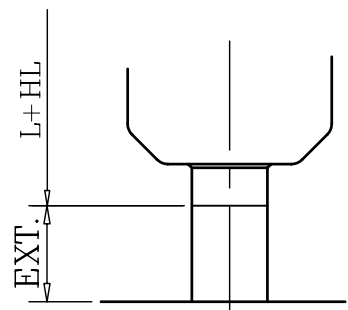
HTS: Single Nozzle HTM: Multi Nozzles

Nozzle Part No	L(mm)	Heater Part No	Wattage
HT _S ^M -3820TC	50.8	CH-3820	300W
HT _S ^M -3825TC	63.5	CH-3825	300W
HT _S ^M -3830TC	76.2	CH-3830	450W
HT _S ^M -3835TC	88.9	CH-3835	450W
HT _S ^M -3845TC	114.3	CH-3845	600W
HT _S ^M -3855TC	139.7	CH-3855	600W
HT _S ^M -3865TC	165.1	CH-3865	700W

SERIES 38 TC/TCE-TYPE



TCE-TYPE



EXT. = 25.4 (MAX)

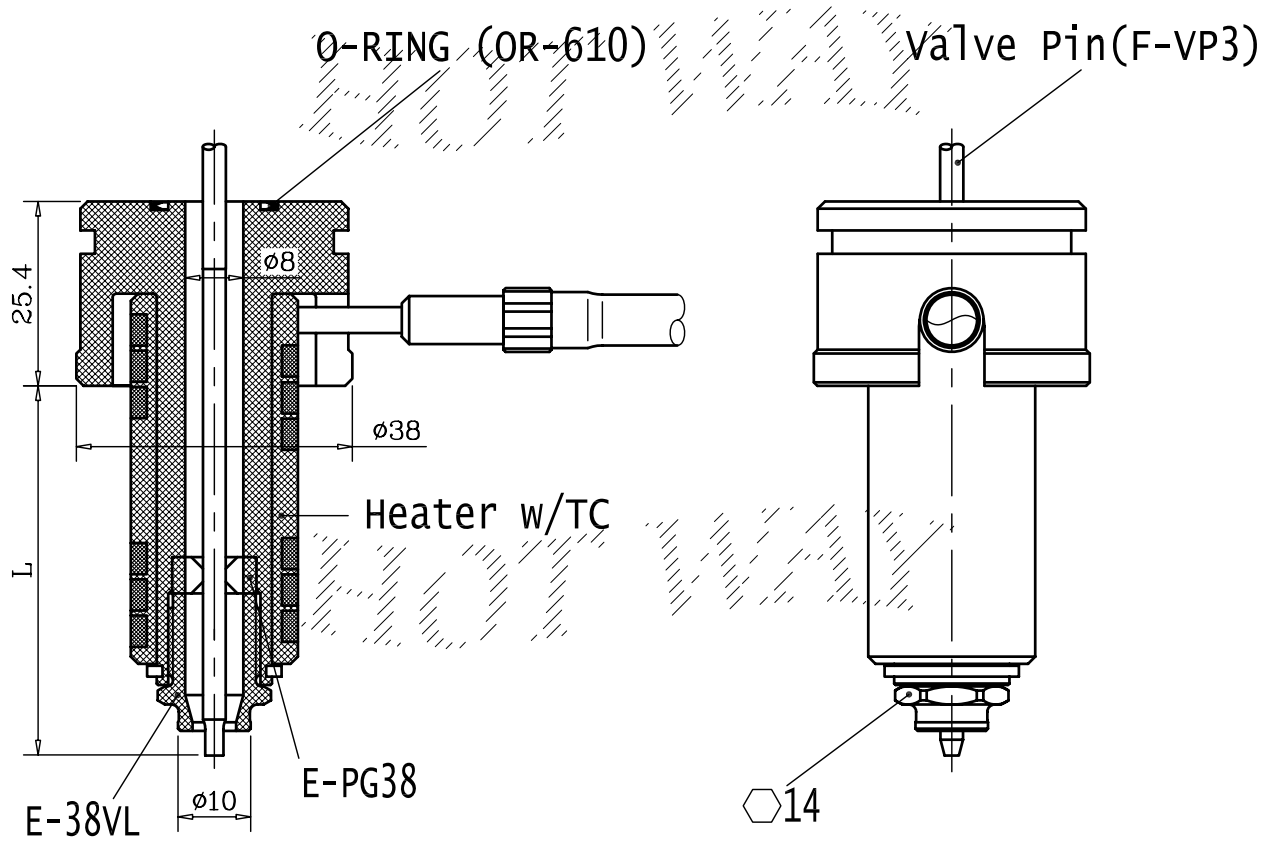
HTS: Single Nozzle HTM: Multi Nozzles

ΔL : Heat Expansion L

Nozzle Part No	L(mm)	L+ ΔL			
		150 °C	200 °C	250 °C	300 °C
HT _S ^M -3820TC	50.8	50.90	50.93	50.97	51.00
HT _S ^M -3825TC	63.5	63.63	63.67	63.71	63.75
HT _S ^M -3830TC	76.2	76.35	76.40	76.45	76.50
HT _S ^M -3835TC	88.9	89.08	89.13	89.19	89.25
HT _S ^M -3845TC	114.3	114.53	114.60	114.68	114.75
HT _S ^M -3855TC	139.7	139.98	140.07	140.16	140.25
HT _S ^M -3865TC	165.1	165.43	165.54	165.64	165.75

SERIES 38 VL-TYPE

VALVE GATE

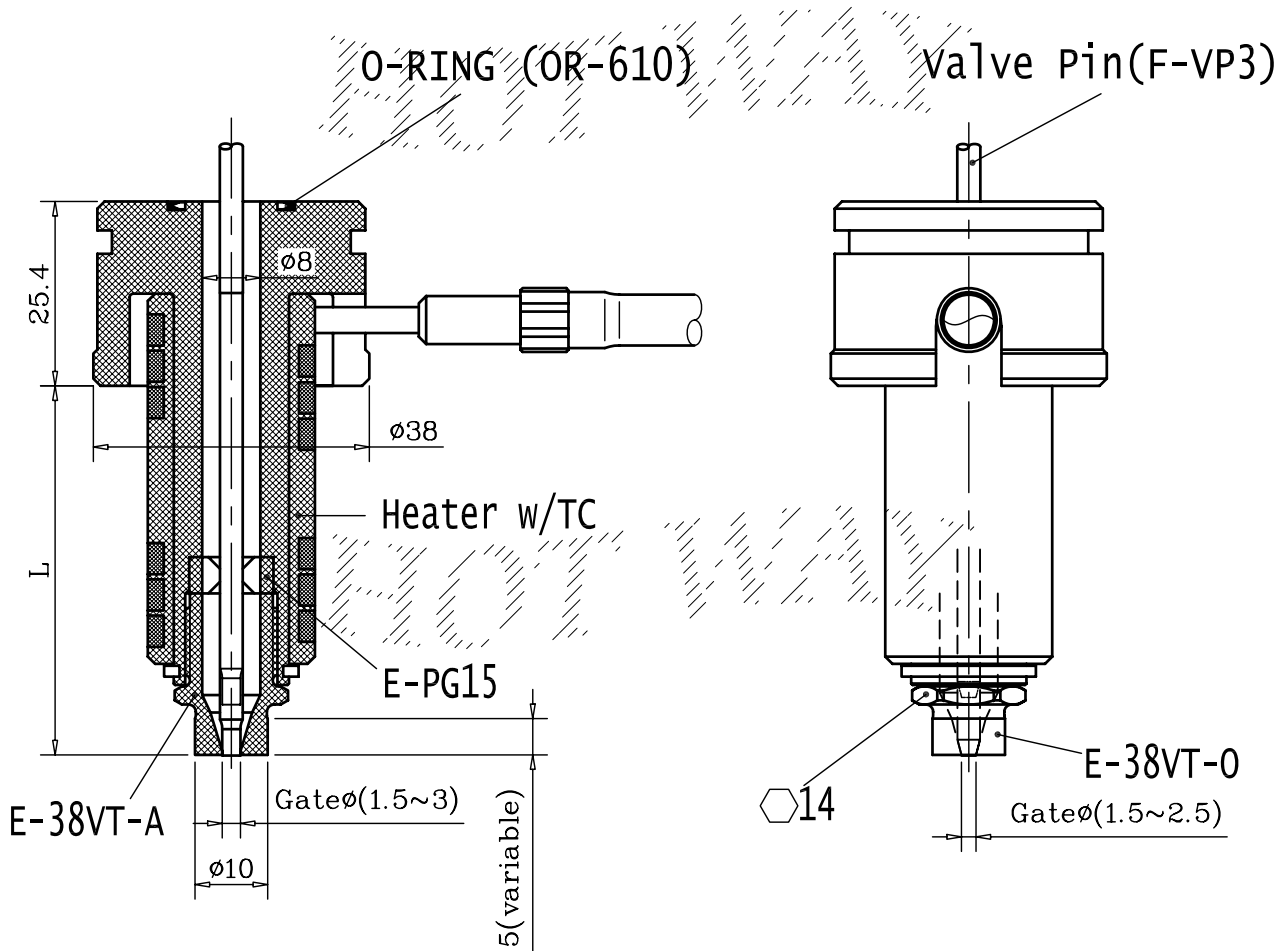


Shot weight (gm)	
High Flow	250
Medium Flow	200
Low Flow	150

Nozzle Part No	L(mm)	Heater Part No	Wattage
HTM-3820VL	50.8	CH-3820	300W
HTM-3825VL	63.5	CH-3825	300W
HTM-3830VL	76.2	CH-3830	450W
HTM-3835VL	88.9	CH-3835	450W
HTM-3845VL	114.3	CH-3845	600W
HTM-3855VL	139.7	CH-3855	600W
HTM-3865VL	165.1	CH-3865	700W

SERIES 38 VT-TYPE

VALVE GATE

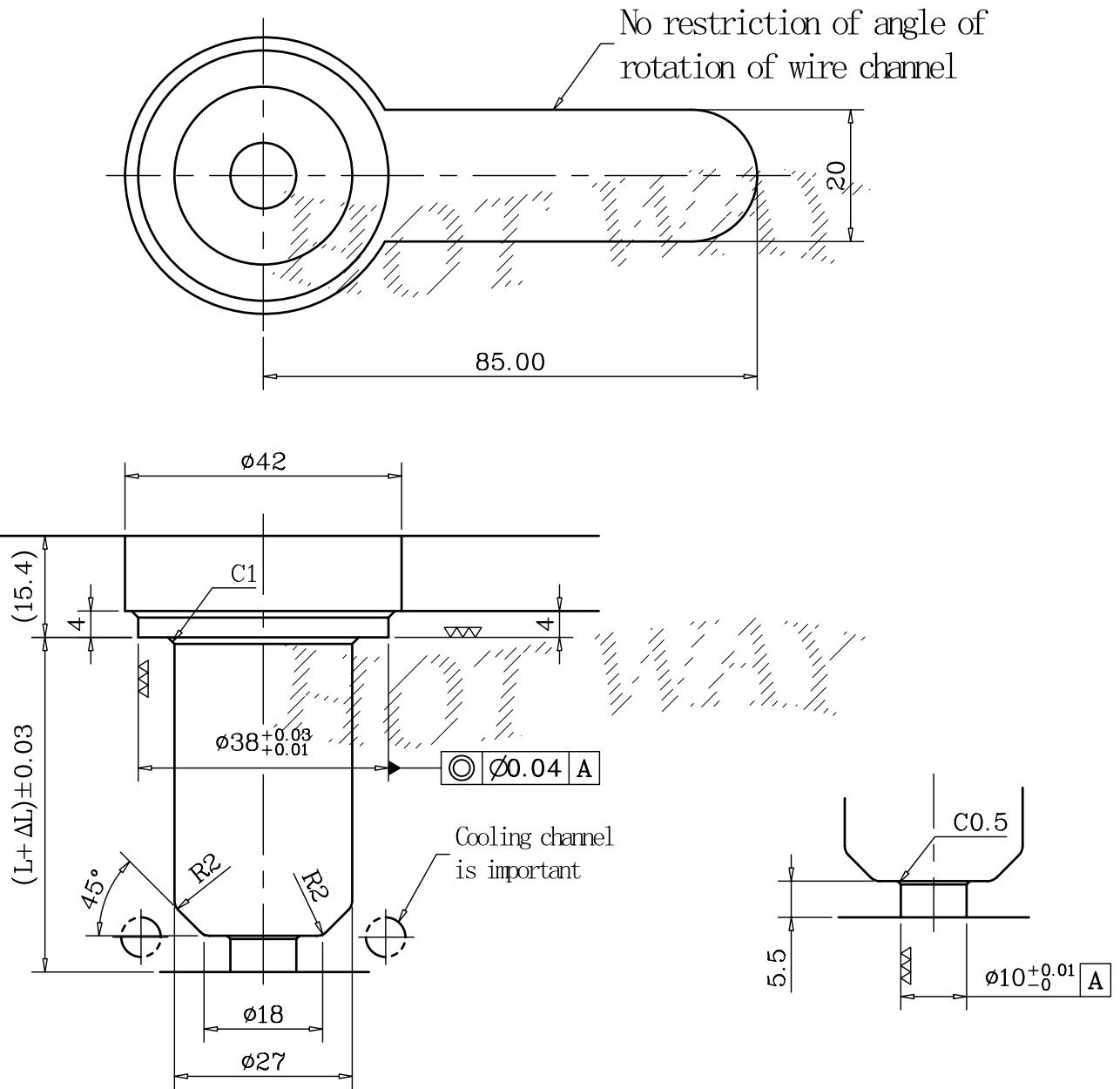


Shot weight (gm)	
High Flow	250
Medium Flow	200
Low Flow	150

Nozzle Part No	L(mm)	Heater Part No	Wattage
HTM-3820VT	50.8	CH-3820	300W
HTM-3825VT	63.5	CH-3825	300W
HTM-3830VT	76.2	CH-3830	450W
HTM-3835VT	88.9	CH-3835	450W
HTM-3845VT	114.3	CH-3845	600W
HTM-3855VT	139.7	CH-3855	600W
HTM-3865VT	165.1	CH-3865	700W

SERIES 38 VT-TYPE

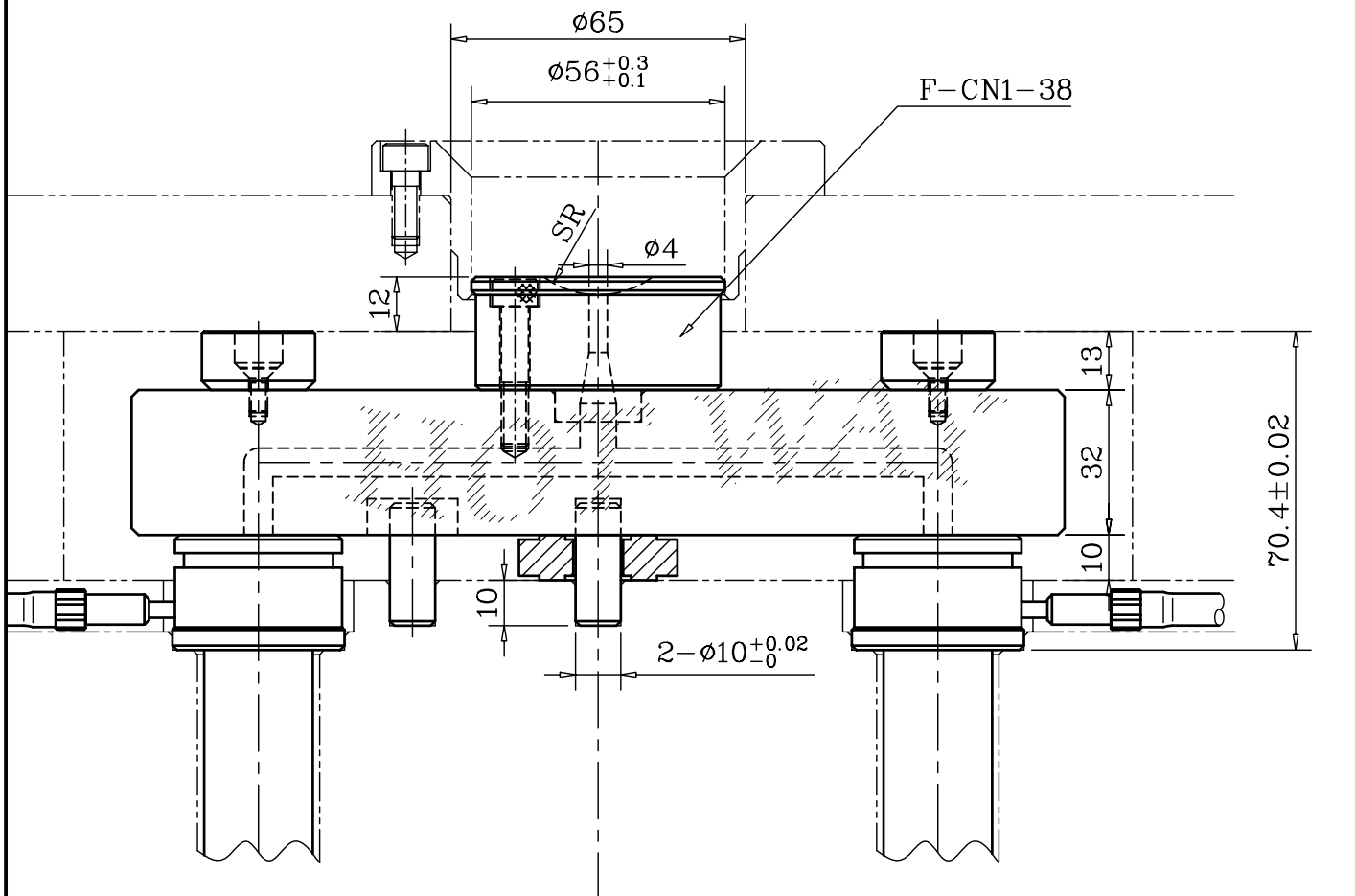
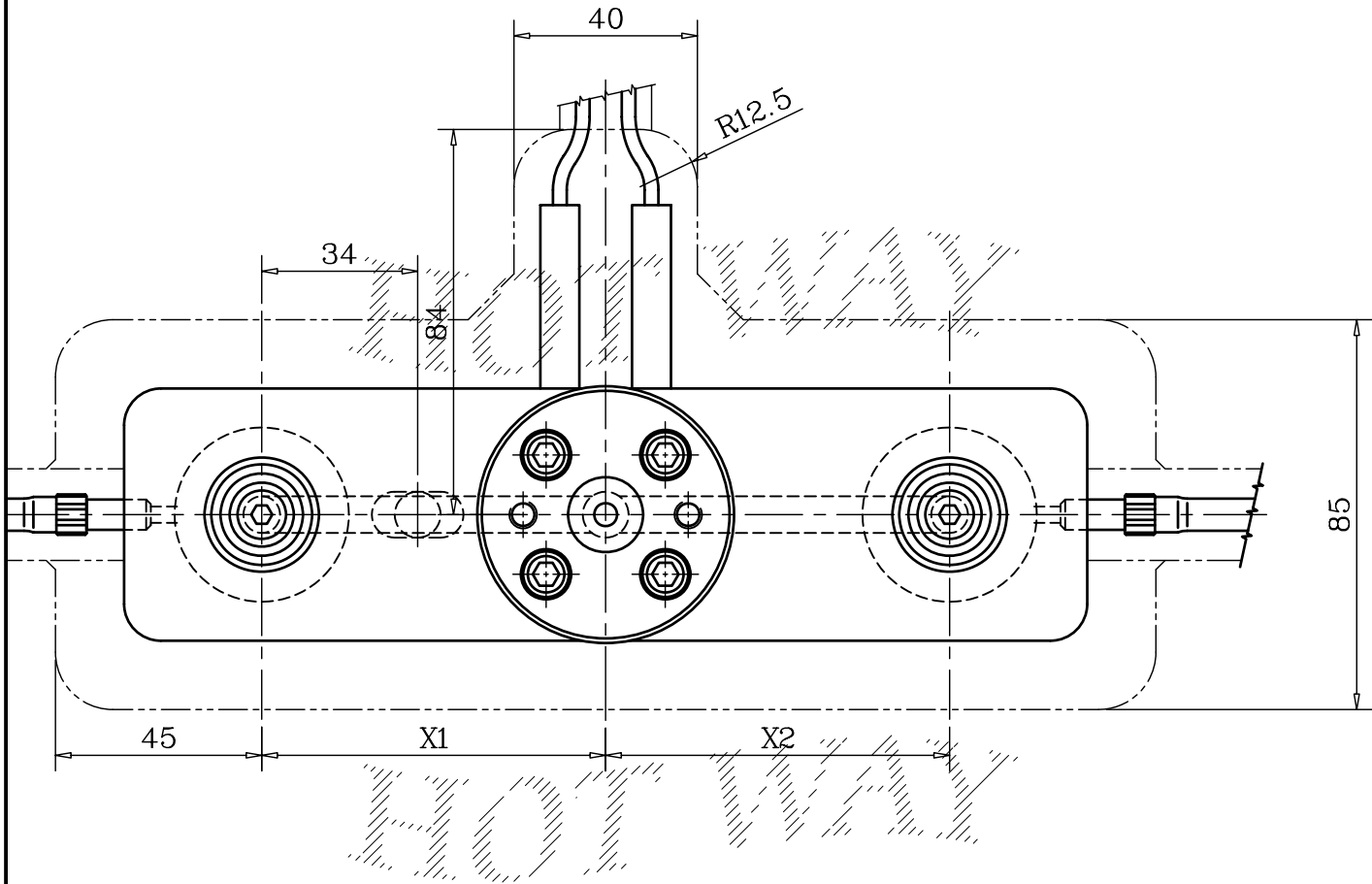
VALVE GATE



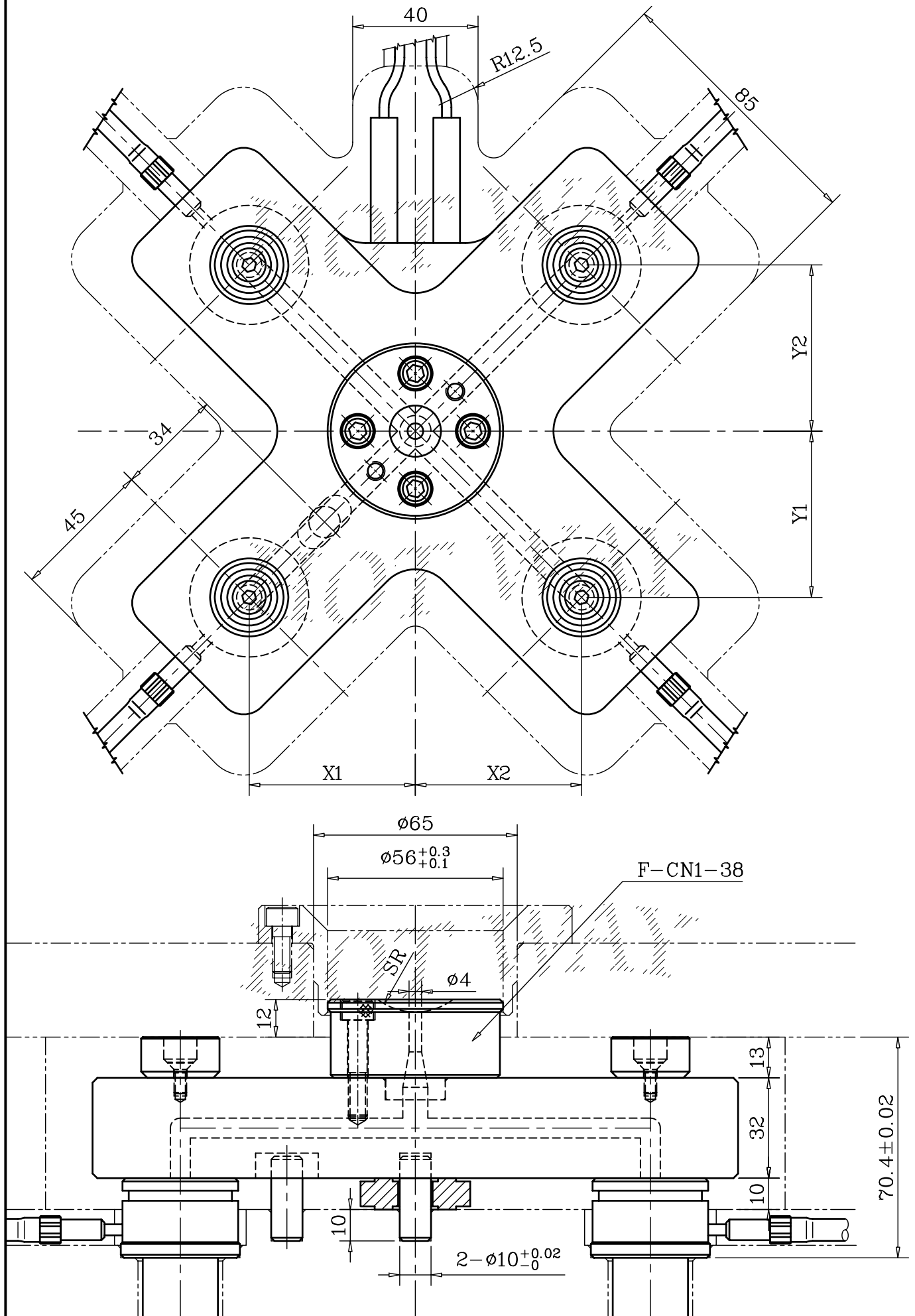
ΔL : Heat Expansion L

Nozzle Part No	L(mm)	$L + \Delta L$			
		150 °C	200 °C	250 °C	300 °C
HTM-3820VT	50.8	50.90	50.93	50.97	51.00
HTM-3825VT	63.5	63.63	63.67	63.71	63.75
HTM-3830VT	76.2	76.35	76.40	76.45	76.50
HTM-3835VT	88.9	89.08	89.13	89.19	89.25
HTM-3845VT	114.3	114.53	114.60	114.68	114.75
HTM-3855VT	139.7	139.98	140.07	140.16	140.25
HTM-3865VT	165.1	165.43	165.54	165.64	165.75

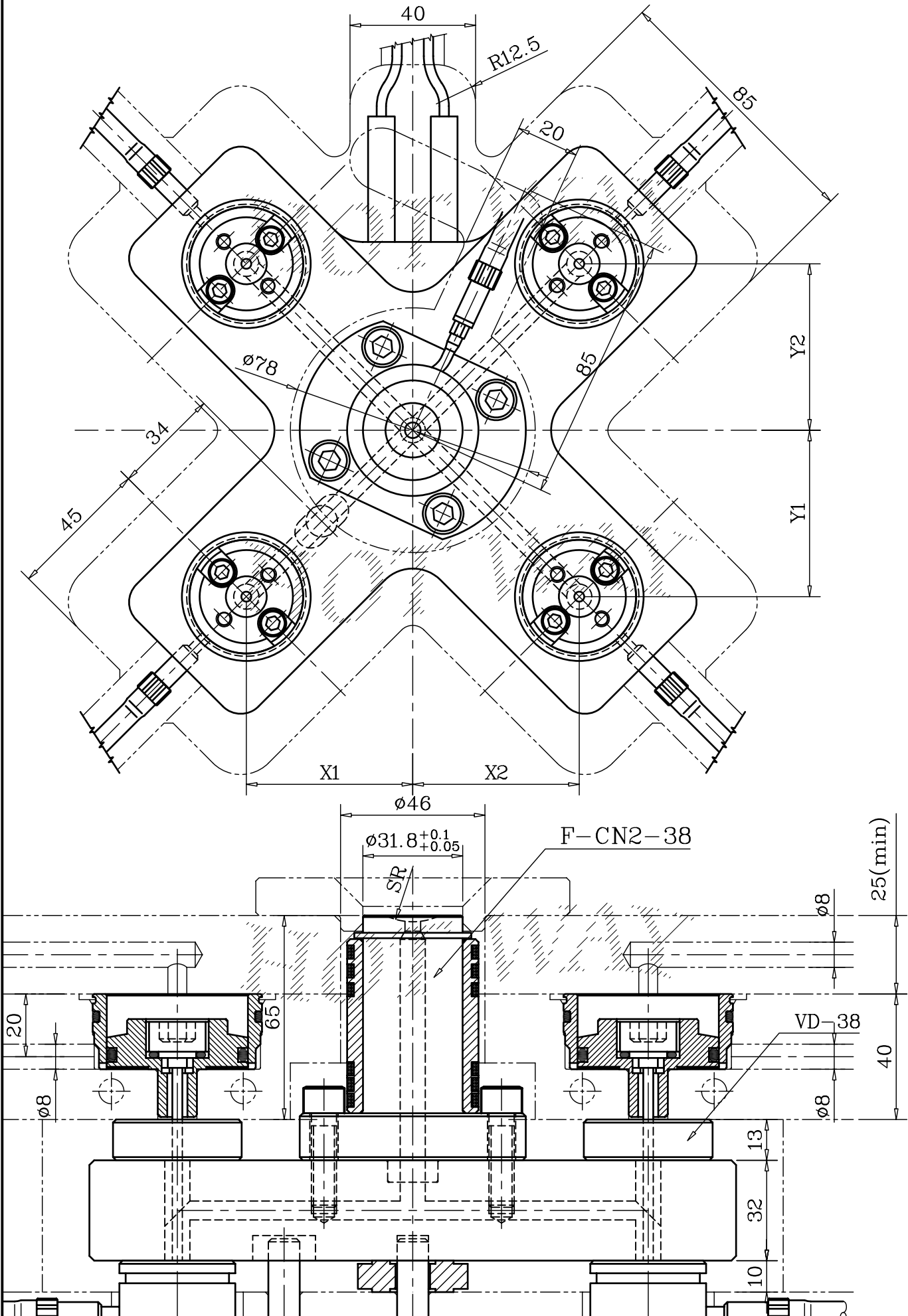
Series 38 Non Valve Manifold



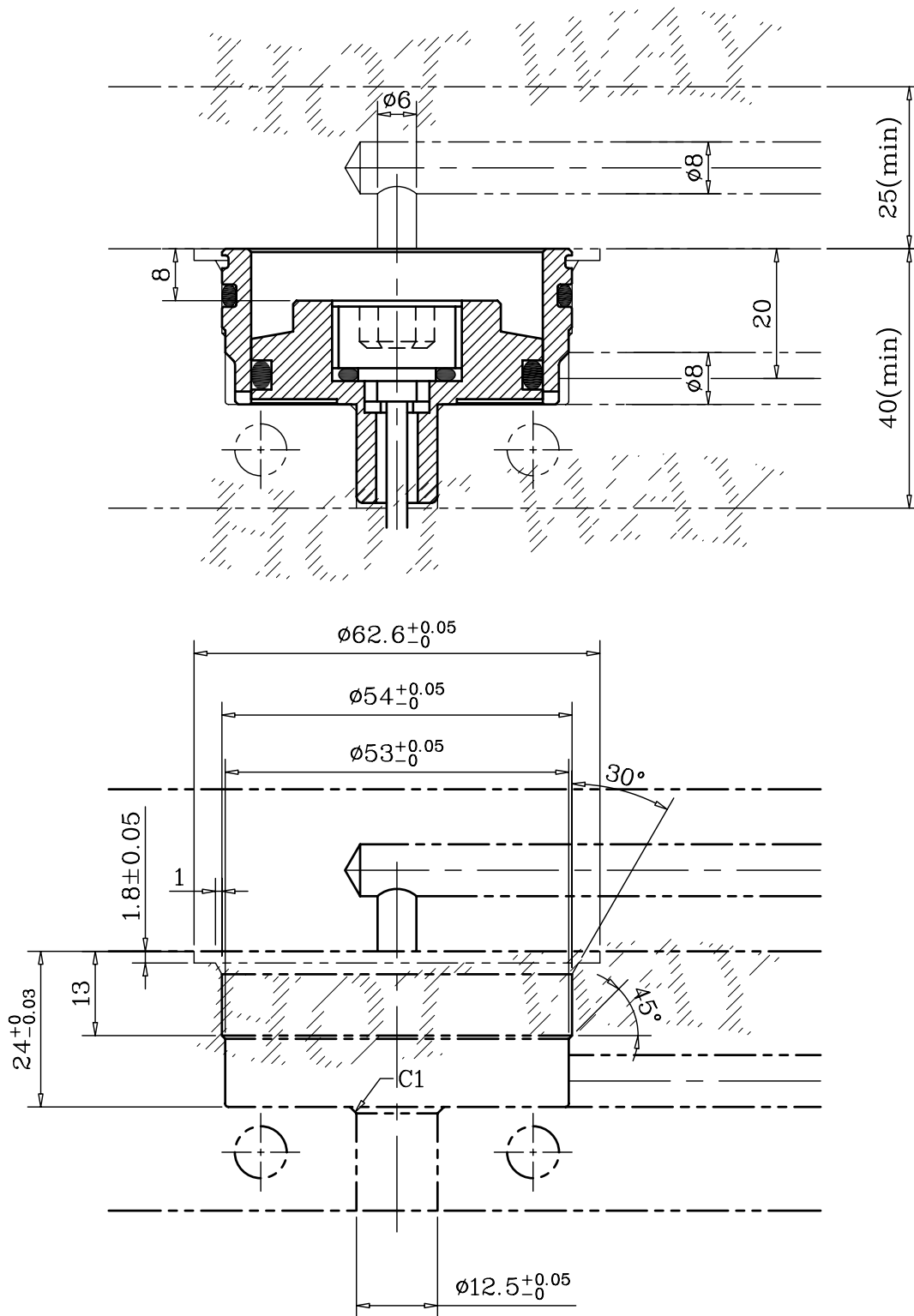
Series 38 Non Valve Manifold

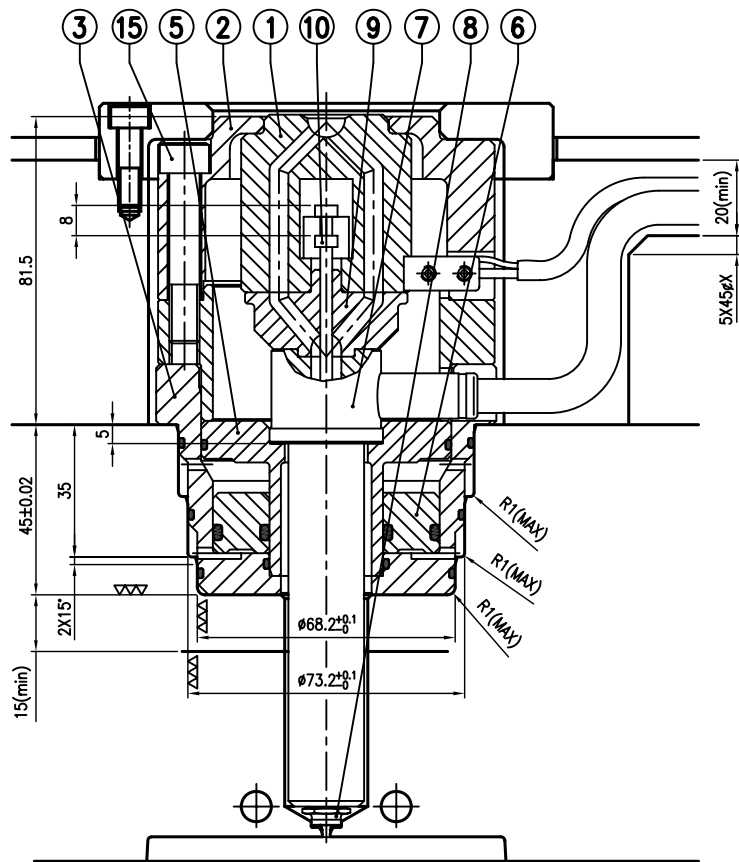
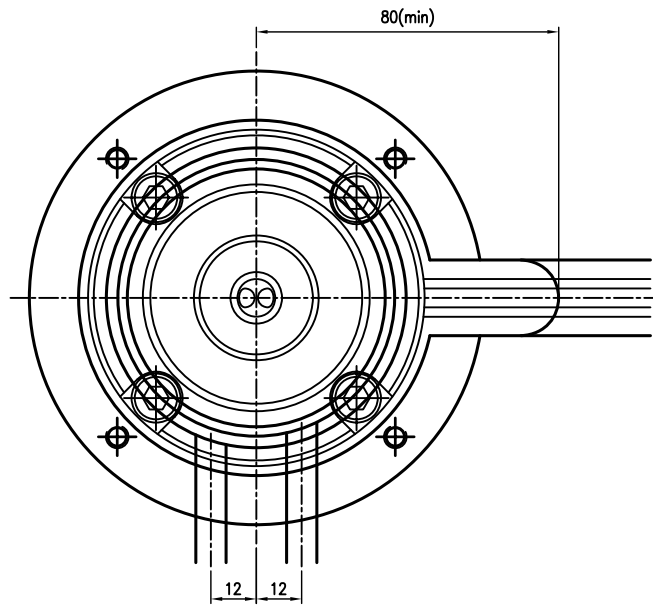
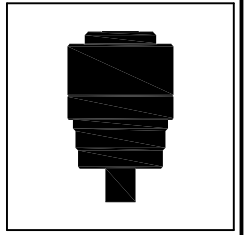


Series 38 Valve Gate Manifold



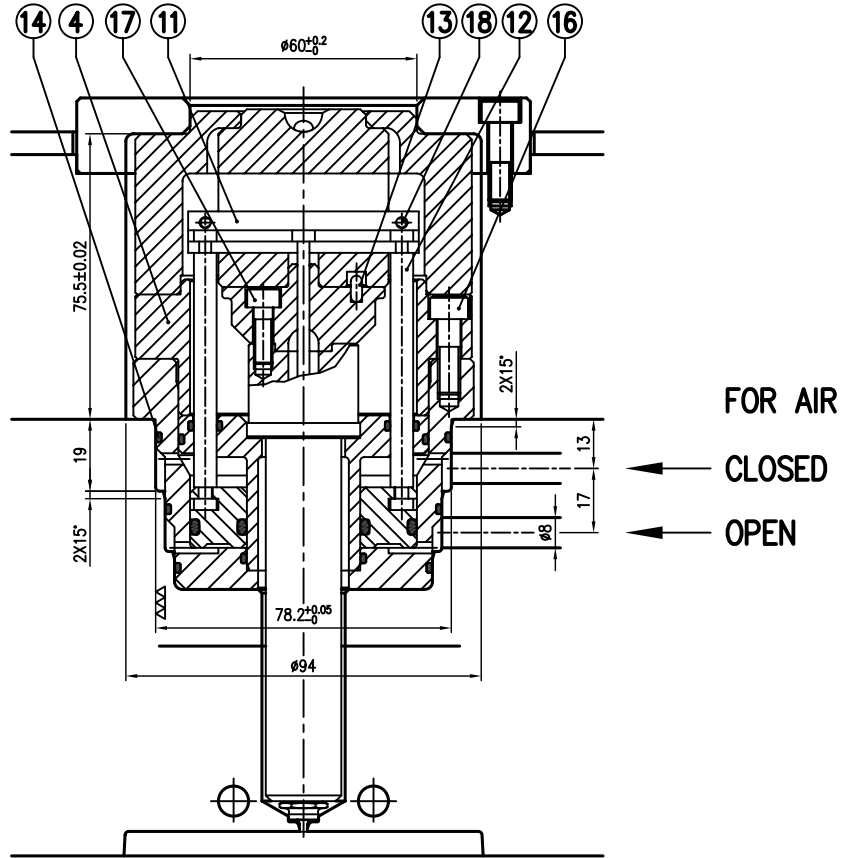
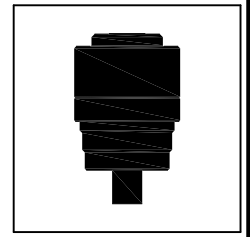
AV-38A VALVE ACTUATOR





SV38

SINGLE VALVE

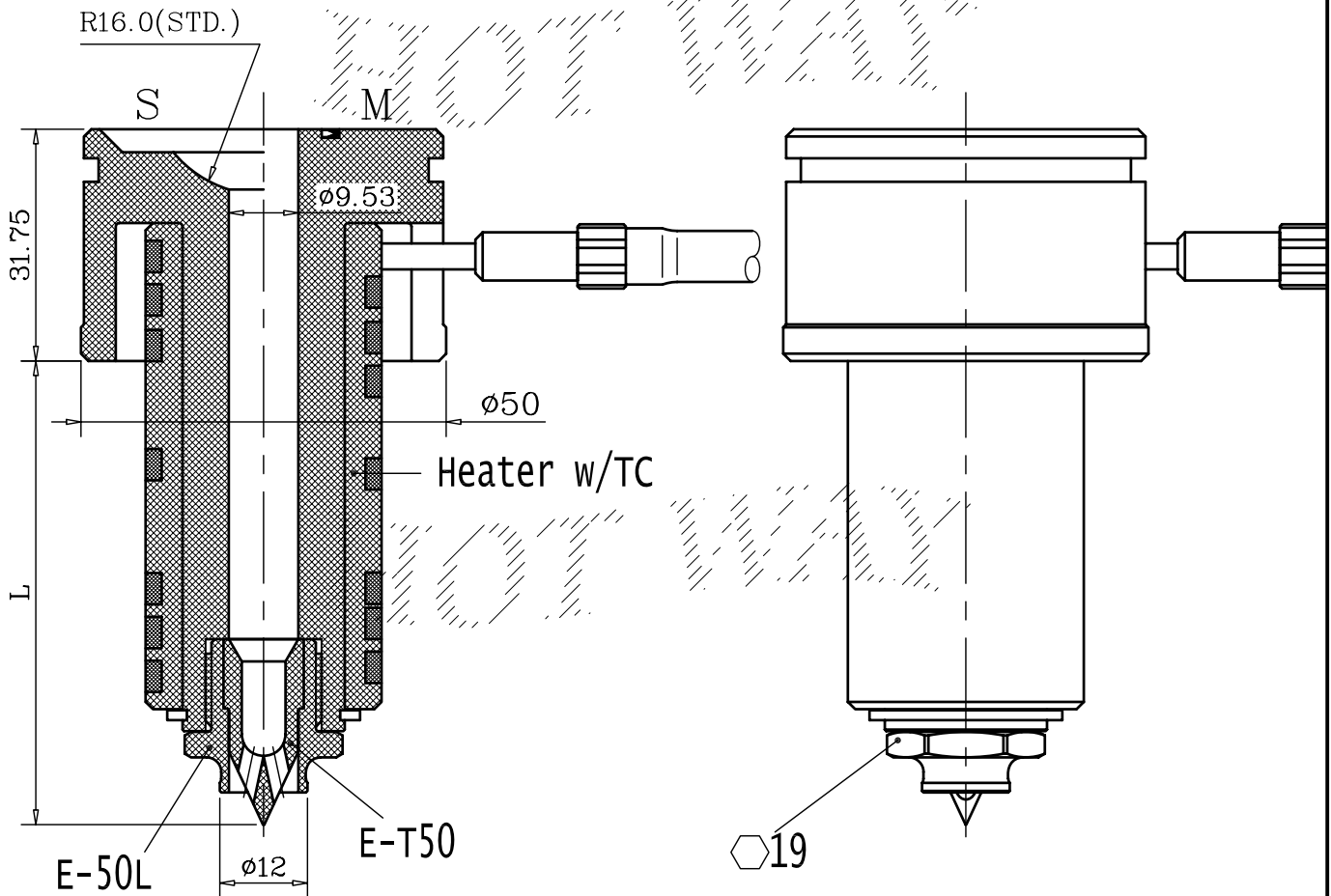


SV38 SINGLE VALVE PART

ITEMREF	QUANTITY	TITLE/NAME	PART #	ITEMREF	QUANTITY	TITLE/NAME	PART #
1	1	BODY	SV-BY38	10	1	VALVE PIN	SV-VP3
2	1	COVER TOP	SV-CT38	11	2	JOINT	SV-J38
3	1	COVER BOTTOM	SV-CB38	12	2	RETURN PIN	SV-RP38
4	1	JOINT RING	SV-JR38	13	1	LOCKING PIN	SV-P3X7
5	1	NOZZLE BUSHING	SV-NB38	14	1	O-RING	SV-OR38
6	1	PISTON	SV-PS38	15	4	SCREW	M8X45
7	1	NOZZLE	HTM-38***	16	6	SCREW	M6X20
8	1	END CAP	E-38***	17	4	SCREW	M5X15
9	1	VALVE DISK	SV-VD38	18	2	SCREW	M3X10

SERIES 50 L-TYPE

S Single
M Manifold (OR-620)

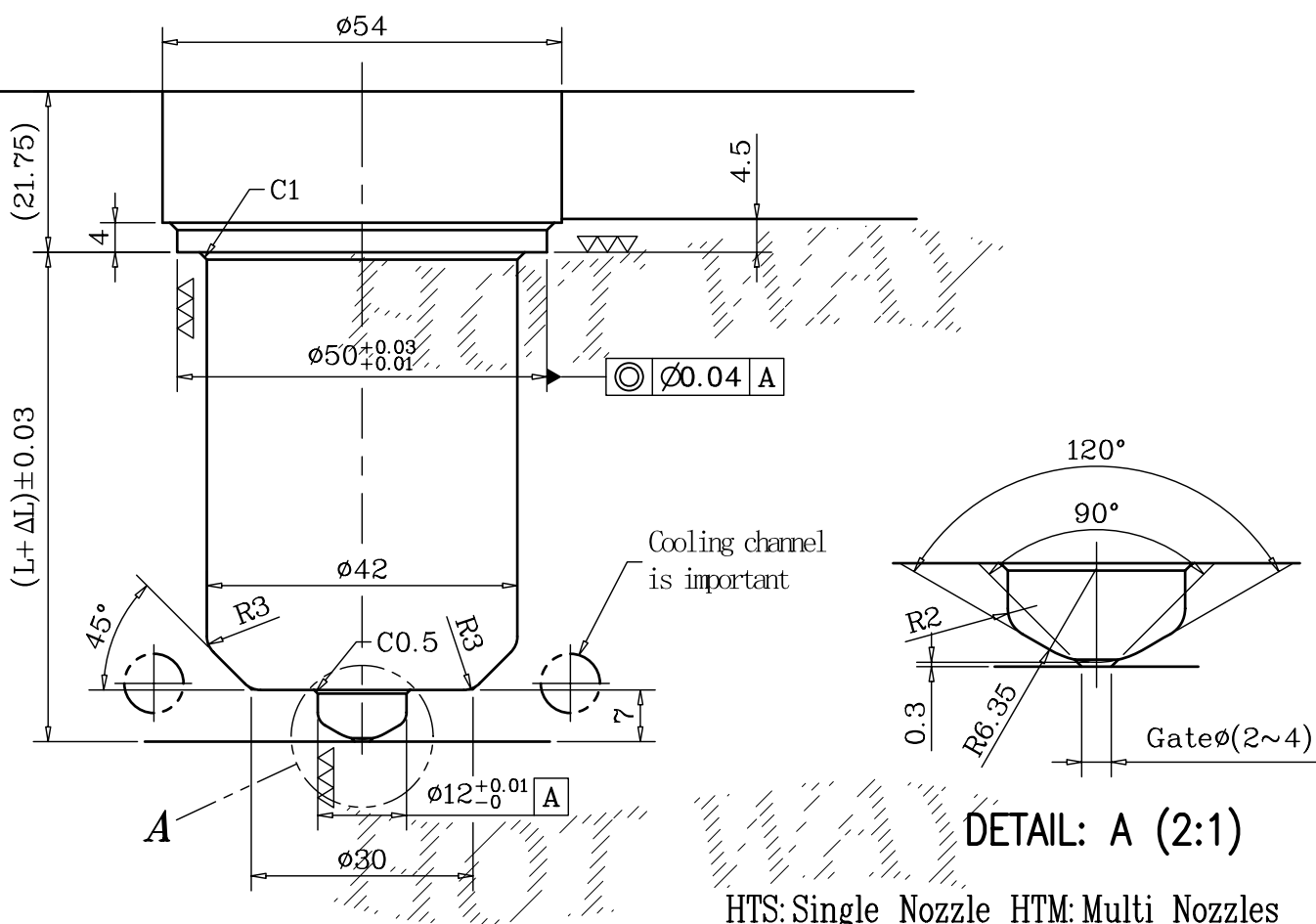
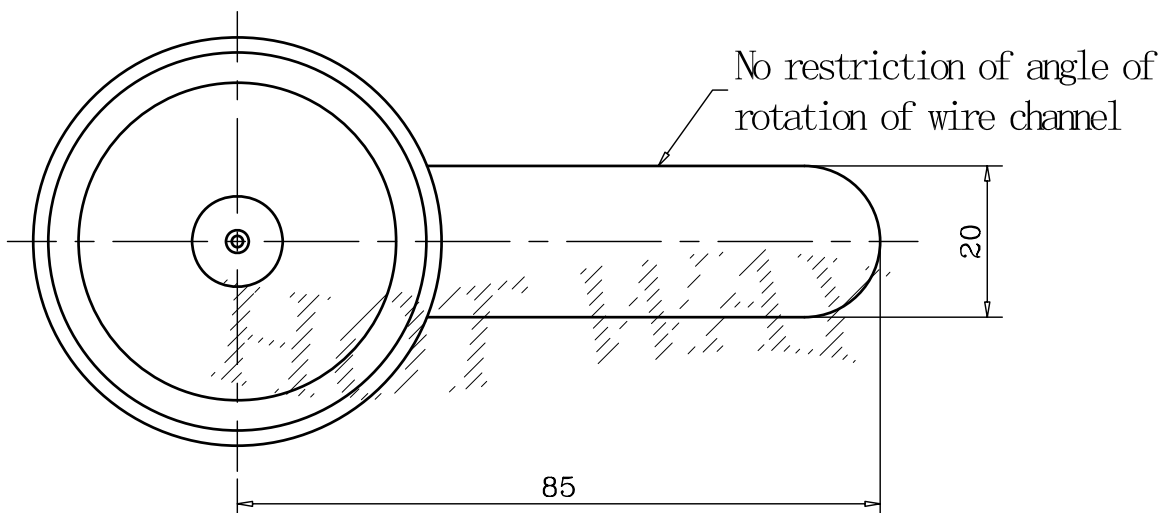


Shot Weight (gm)	
High Flow	500
Medium Flow	375
Low Flow	250

HTS: Single Nozzle HTM: Multi Nozzles

Nozzle Part No	L(mm)	Heater Part No	Wattage
HT _S ^M -5020L	50.8	CH-5020	450W
HT _S ^M -5025L	63.5	CH-5025	450W
HT _S ^M -5030L	76.2	CH-5030	600W
HT _S ^M -5035L	88.9	CH-5035	600W
HT _S ^M -5040L	101.6	CH-5040	700W
HT _S ^M -5050L	127.0	CH-5050	700W
HT _S ^M -5060L	152.4	CH-5060	800W

SERIES 50 L-TYPE

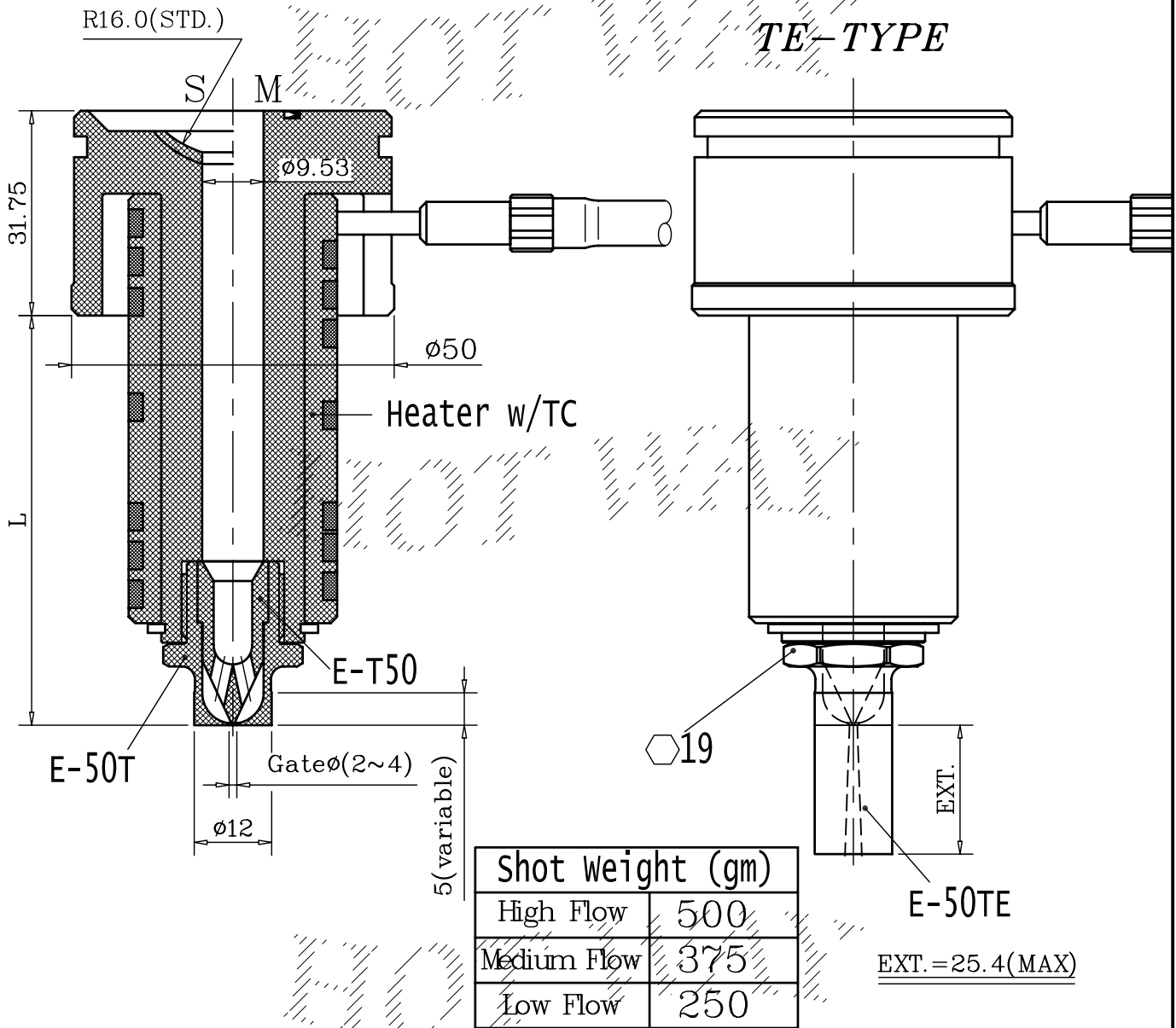


ΔL: Heat Expansion L

Nozzle Part No	L(mm)	L + ΔL			
		150 °C	200 °C	250 °C	300 °C
HT _S ^M -5020L	50.8	50.90	50.93	50.97	51.00
HT _S ^M -5025L	63.5	63.63	63.67	63.71	63.75
HT _S ^M -5030L	76.2	76.35	76.40	76.45	76.50
HT _S ^M -5035L	88.9	89.08	89.13	89.19	89.25
HT _S ^M -5040L	101.6	101.80	101.87	101.94	102.00
HT _S ^M -5050L	127.0	127.25	127.34	127.42	127.50
HT _S ^M -5060L	152.4	152.70	152.80	152.90	153.00

SERIES 50 T/TE-TYPE

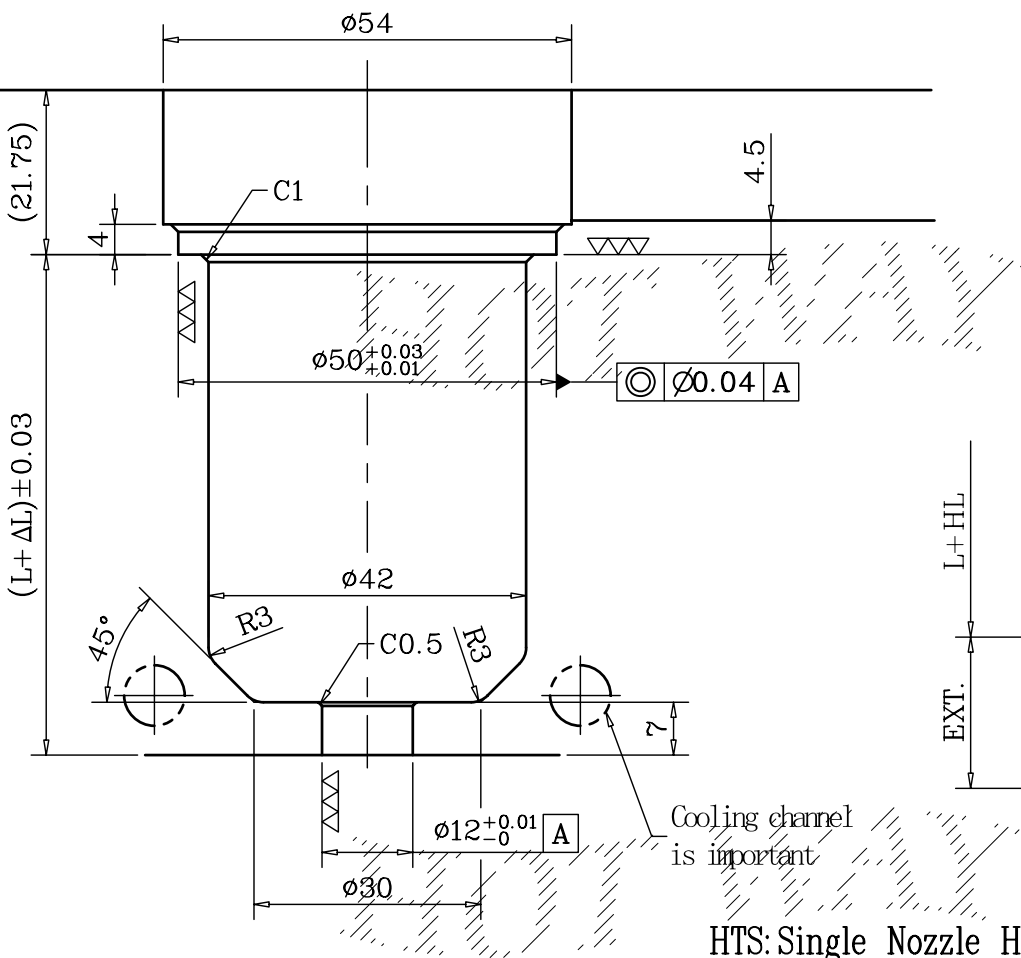
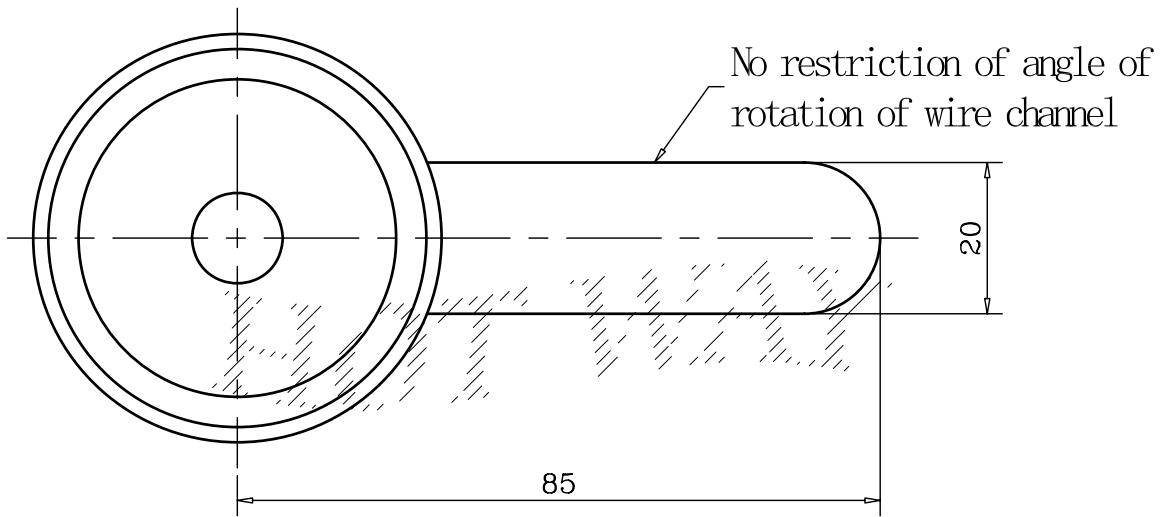
S Single
M Manifold (OR-620)



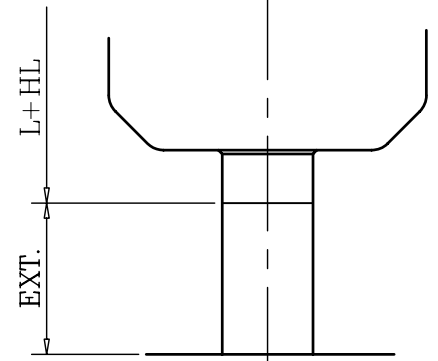
HTS: Single Nozzle HTM: Multi Nozzles

Nozzle Part No	L(mm)	Heater Part No	Wattage
HT _S ^M -5020T	50.8	CH-5020	450W
HT _S ^M -5025T	63.5	CH-5025	450W
HT _S ^M -5030T	76.2	CH-5030	600W
HT _S ^M -5035T	88.9	CH-5035	600W
HT _S ^M -5040T	101.6	CH-5040	700W
HT _S ^M -5050T	127.0	CH-5050	700W
HT _S ^M -5060T	152.4	CH-5060	800W

SERIES 50 T/TE-TYPE



TE-TYPE



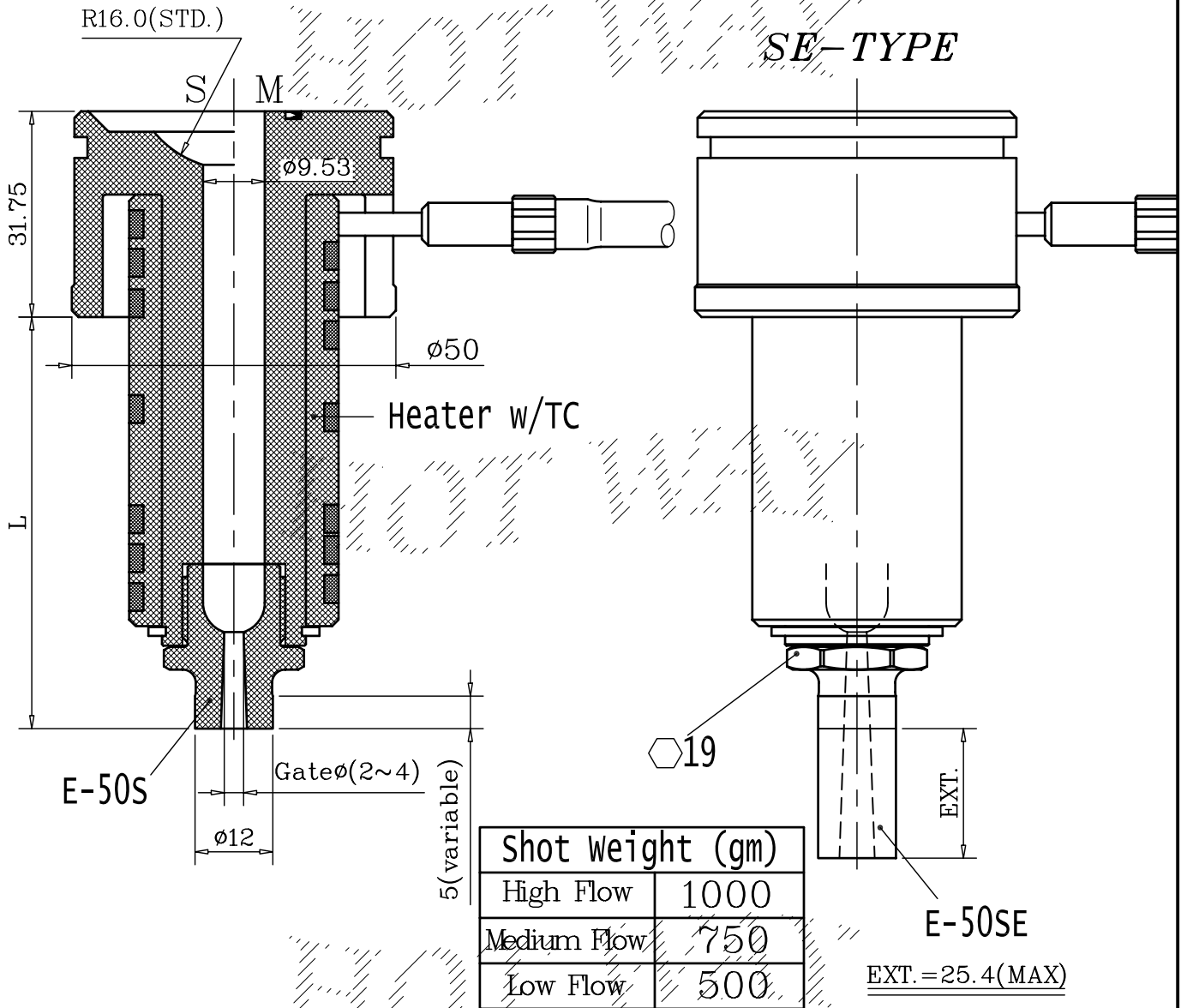
EXT. = 25.4 (MAX)

HTS: Single Nozzle HTM: Multi Nozzles

Nozzle Part No	ΔL: Heat Expansion L L(mm)	L+ ΔL			
		150 °C	200 °C	250 °C	300 °C
HT _S ^M -5020T	50.8	50.90	50.93	50.97	51.00
HT _S ^M -5025T	63.5	63.63	63.67	63.71	63.75
HT _S ^M -5030T	76.2	76.35	76.40	76.45	76.50
HT _S ^M -5035T	88.9	89.08	89.13	89.19	89.25
HT _S ^M -5040T	101.6	101.80	101.87	101.94	102.00
HT _S ^M -5050T	127.0	127.25	127.34	127.42	127.50
HT _S ^M -5060T	152.4	152.70	152.80	152.90	153.00

SERIES 50 S/SE-TYPE

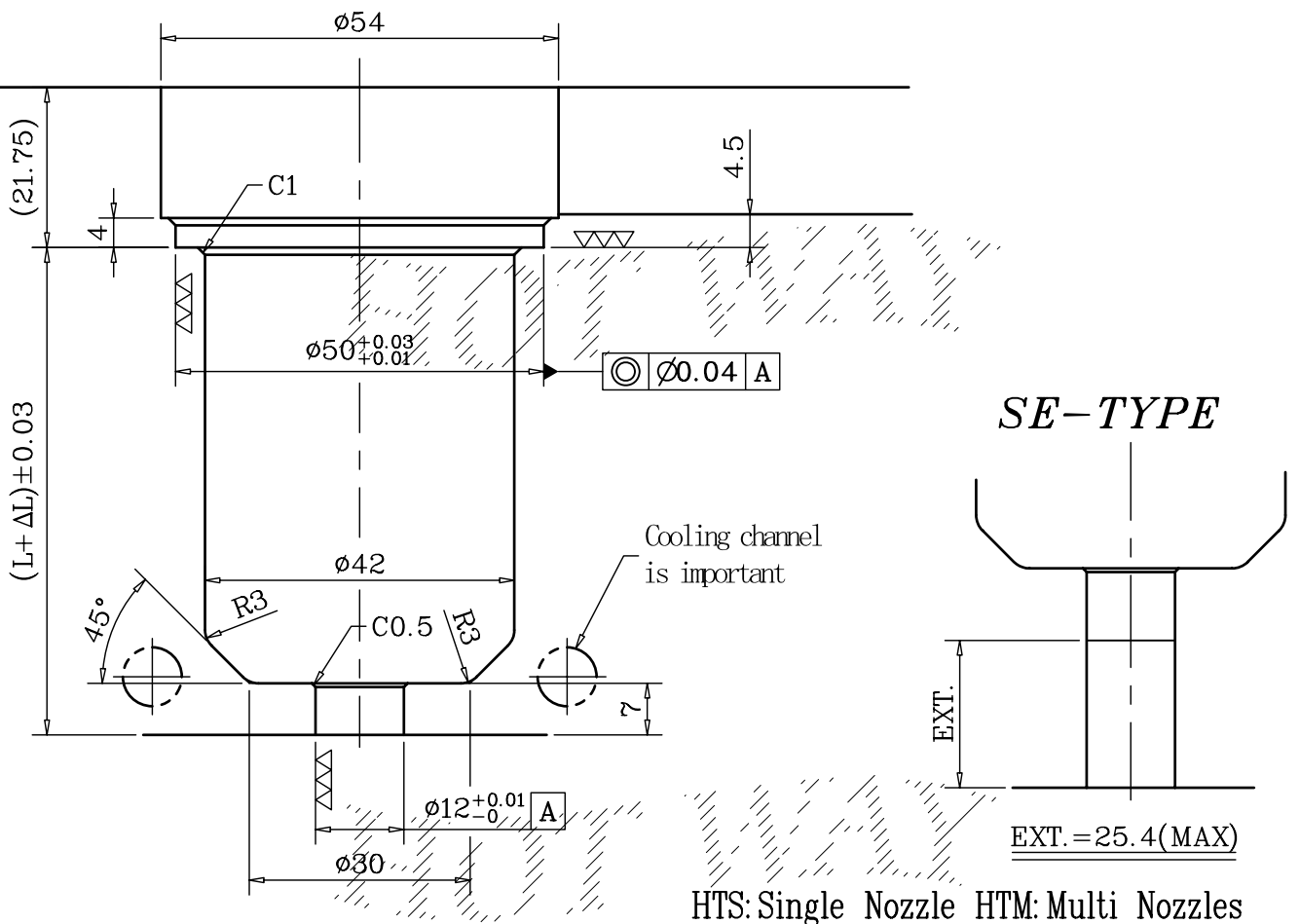
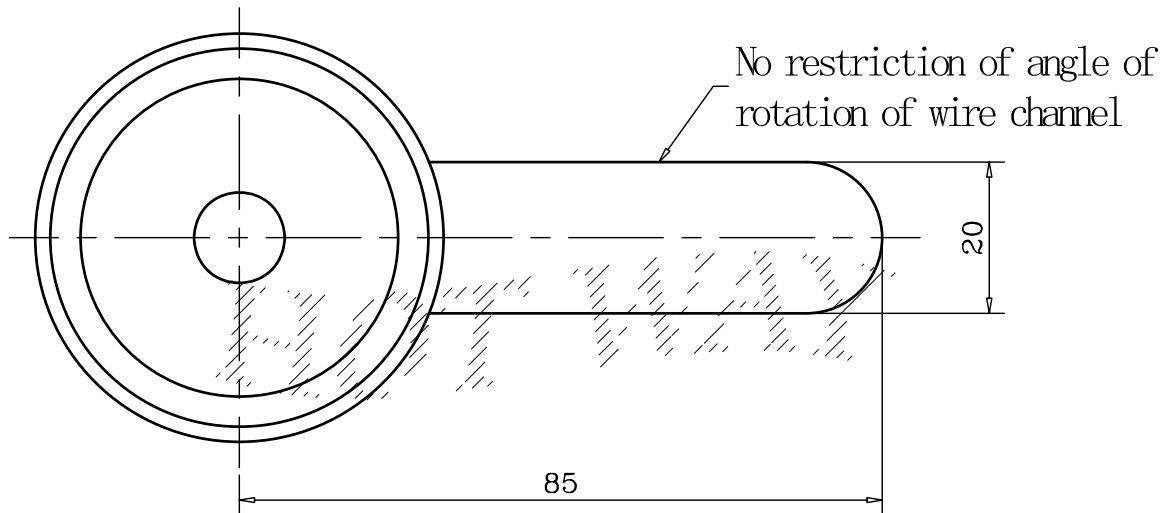
S Single
M Manifold (OR-620)



HTS: Single Nozzle HTM: Multi Nozzles

Nozzle Part No	L(mm)	Heater Part No	Wattage
HT _S ^M -5020S	50.8	CH-5020	450W
HT _S ^M -5025S	63.5	CH-5025	450W
HT _S ^M -5030S	76.2	CH-5030	600W
HT _S ^M -5035S	88.9	CH-5035	600W
HT _S ^M -5040S	101.6	CH-5040	700W
HT _S ^M -5050S	127.0	CH-5050	700W
HT _S ^M -5060S	152.4	CH-5060	800W

SERIES 50 S/SE-TYPE

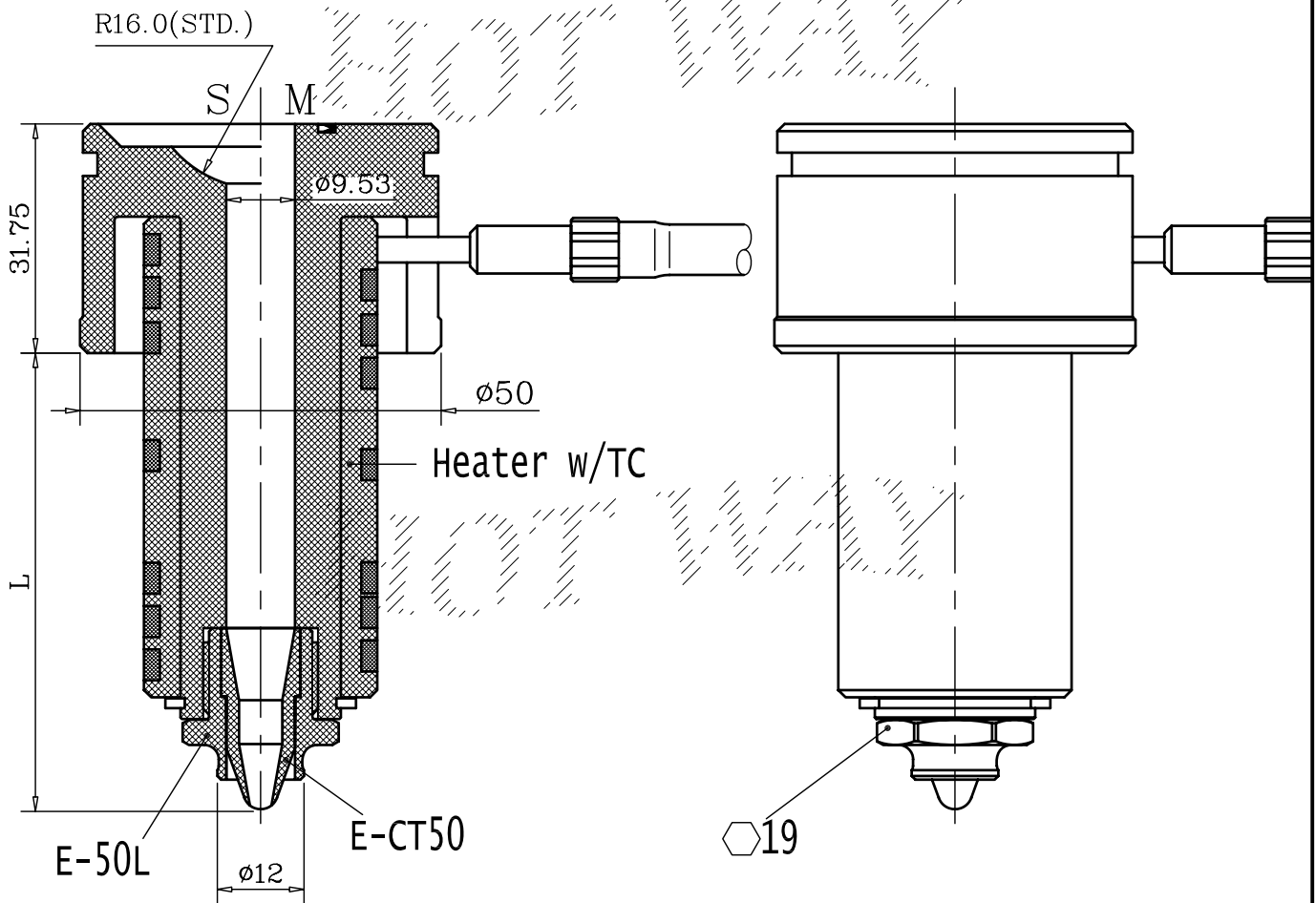


ΔL : Heat Expansion L

Nozzle Part No	L(mm)	L+ ΔL			
		150 °C	200 °C	250 °C	300 °C
HT _S ^M -5020S	50.8	50.90	50.93	50.97	51.00
HT _S ^M -5025S	63.5	63.63	63.67	63.71	63.75
HT _S ^M -5030S	76.2	76.35	76.40	76.45	76.50
HT _S ^M -5035S	88.9	89.08	89.13	89.19	89.25
HT _S ^M -5040S	101.6	101.80	101.87	101.94	102.00
HT _S ^M -5050S	127.0	127.25	127.34	127.42	127.50
HT _S ^M -5060S	152.4	152.70	152.80	152.90	153.00

SERIES 50 LC-TYPE

S Single
M Manifold (OR-620)

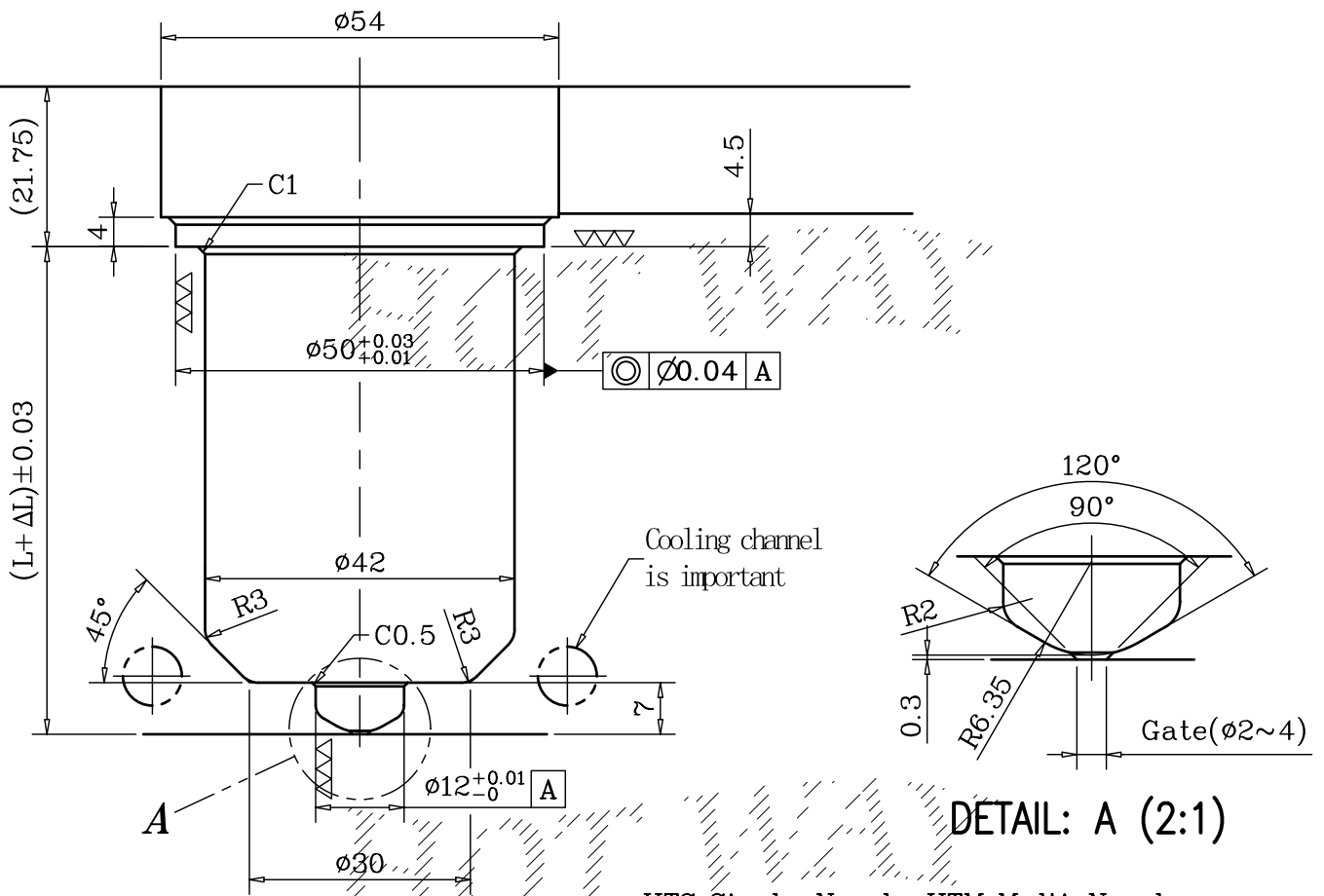
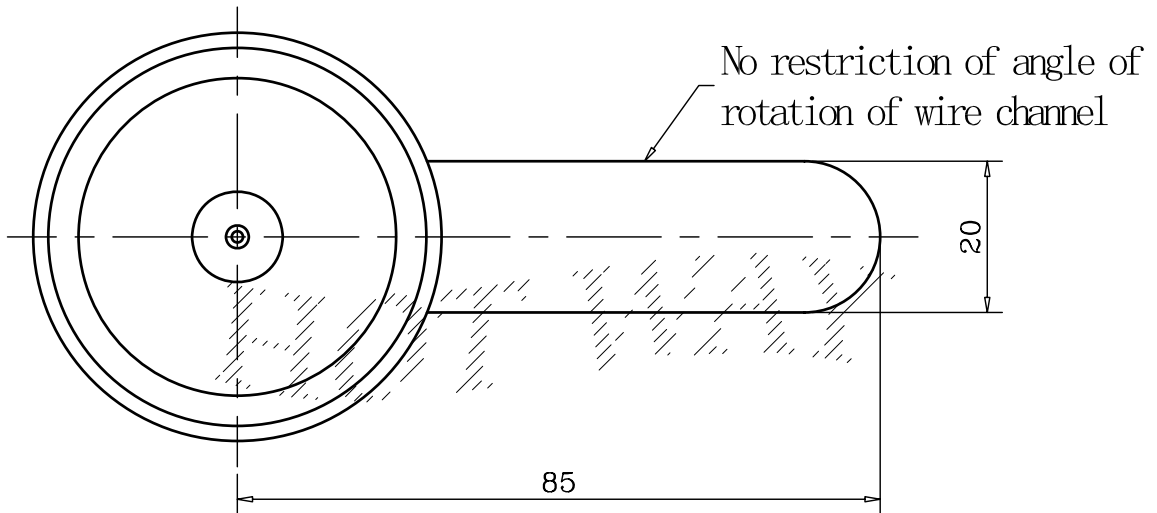


Shot weight (gm)	
High Flow	1000
Medium Flow	750
Low Flow	500

HTS: Single Nozzle HTM: Multi Nozzles

Nozzle Part No	L(mm)	Heater Part No	Wattage
HT _S ^M -5020LC	50.8	CH-5020	450W
HT _S ^M -5025LC	63.5	CH-5025	450W
HT _S ^M -5030LC	76.2	CH-5030	600W
HT _S ^M -5035LC	88.9	CH-5035	600W
HT _S ^M -5040LC	101.6	CH-5040	700W
HT _S ^M -5050LC	127.0	CH-5050	700W
HT _S ^M -5060LC	152.4	CH-5060	800W

SERIES 50 LC-TYPE



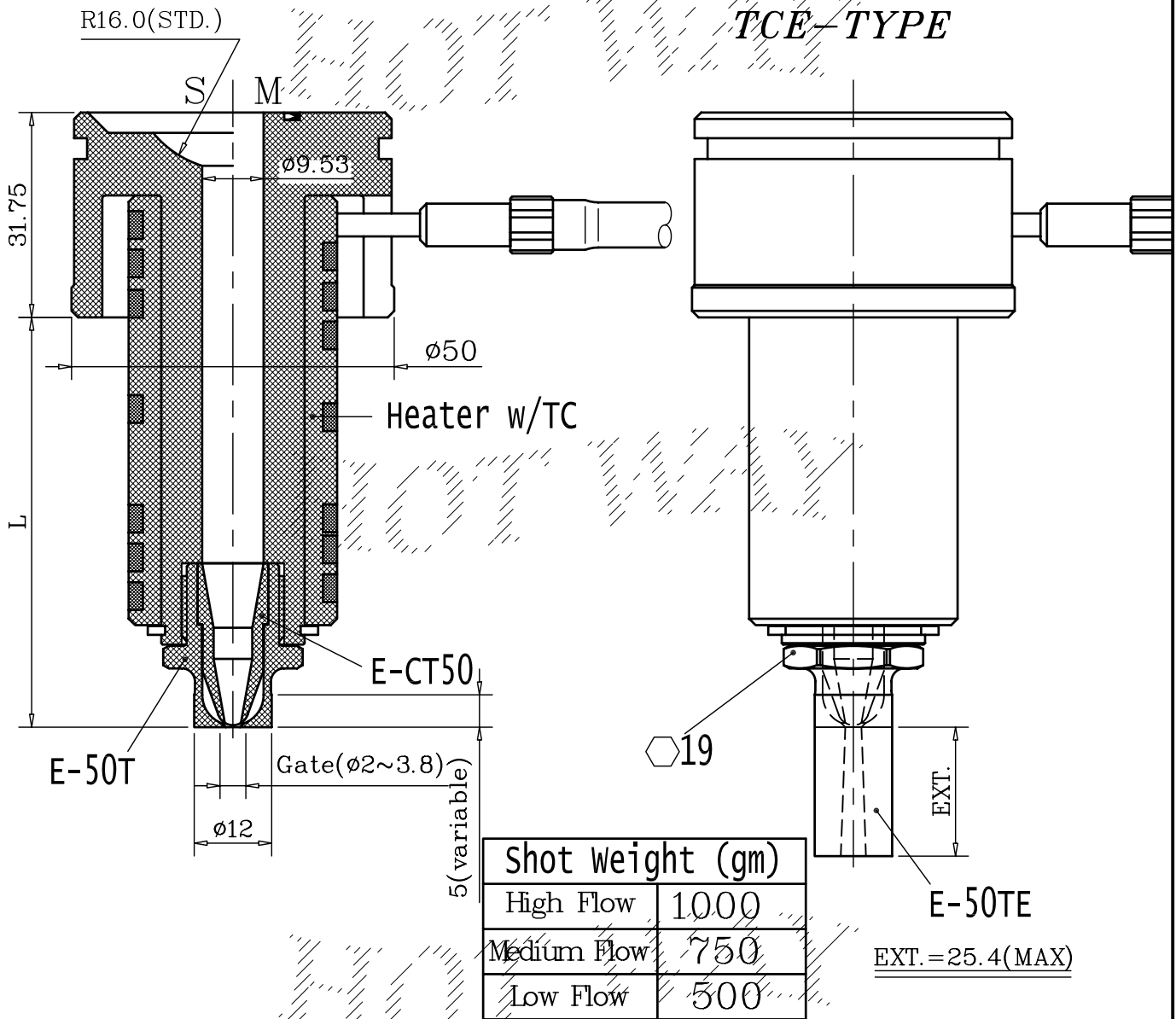
HTS: Single Nozzle HTM: Multi Nozzles

ΔL : Heat Expansion L

Nozzle Part No	L(mm)	L+ ΔL			
		150 °C	200 °C	250 °C	300 °C
HT _S ^M -5020LC	50.8	50.90	50.93	50.97	51.00
HT _S ^M -5025LC	63.5	63.63	63.67	63.71	63.75
HT _S ^M -5030LC	76.2	76.35	76.40	76.45	76.50
HT _S ^M -5035LC	88.9	89.08	89.13	89.19	89.25
HT _S ^M -5040LC	101.6	101.8	101.87	101.94	102.00
HT _S ^M -5050LC	127.0	127.25	127.34	127.42	127.50
HT _S ^M -5060LC	152.4	152.70	152.80	152.90	153.00

SERIES 50 TC/TCE-TYPE

S Single
 M Manifold (OR-620)

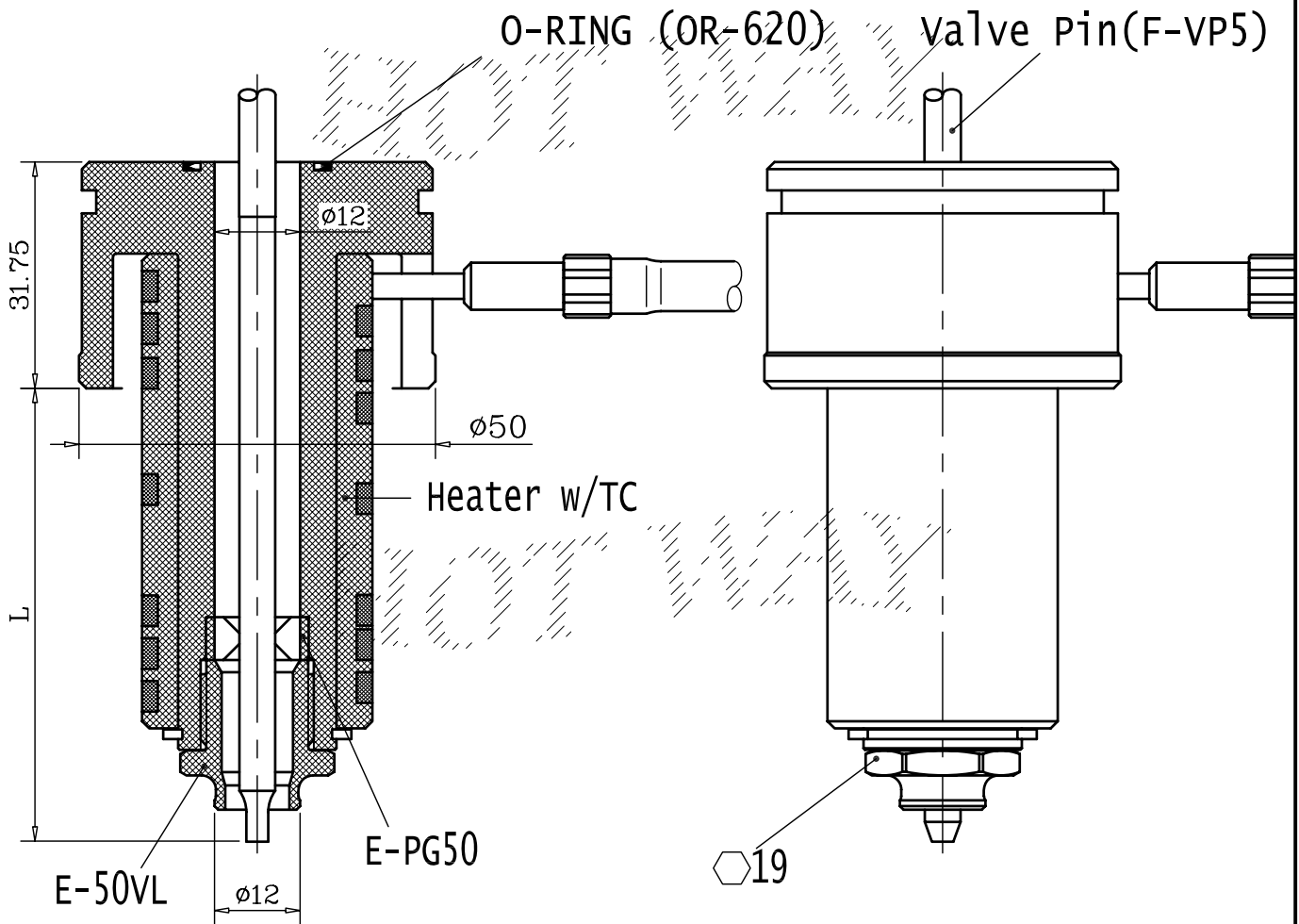


HTS: Single Nozzle HTM: Multi Nozzles

Nozzle Part No	L(mm)	Heater Part No	Wattage
HT _S ^M -5020TC	50.8	CH-5020	450W
HT _S ^M -5025TC	63.5	CH-5025	450W
HT _S ^M -5030TC	76.2	CH-5030	600W
HT _S ^M -5035TC	88.9	CH-5035	600W
HT _S ^M -5040TC	101.6	CH-5040	700W
HT _S ^M -5050TC	127.0	CH-5050	700W
HT _S ^M -5060TC	152.4	CH-5060	800W

SERIES 50 VL-TYPE

VALVE GATE

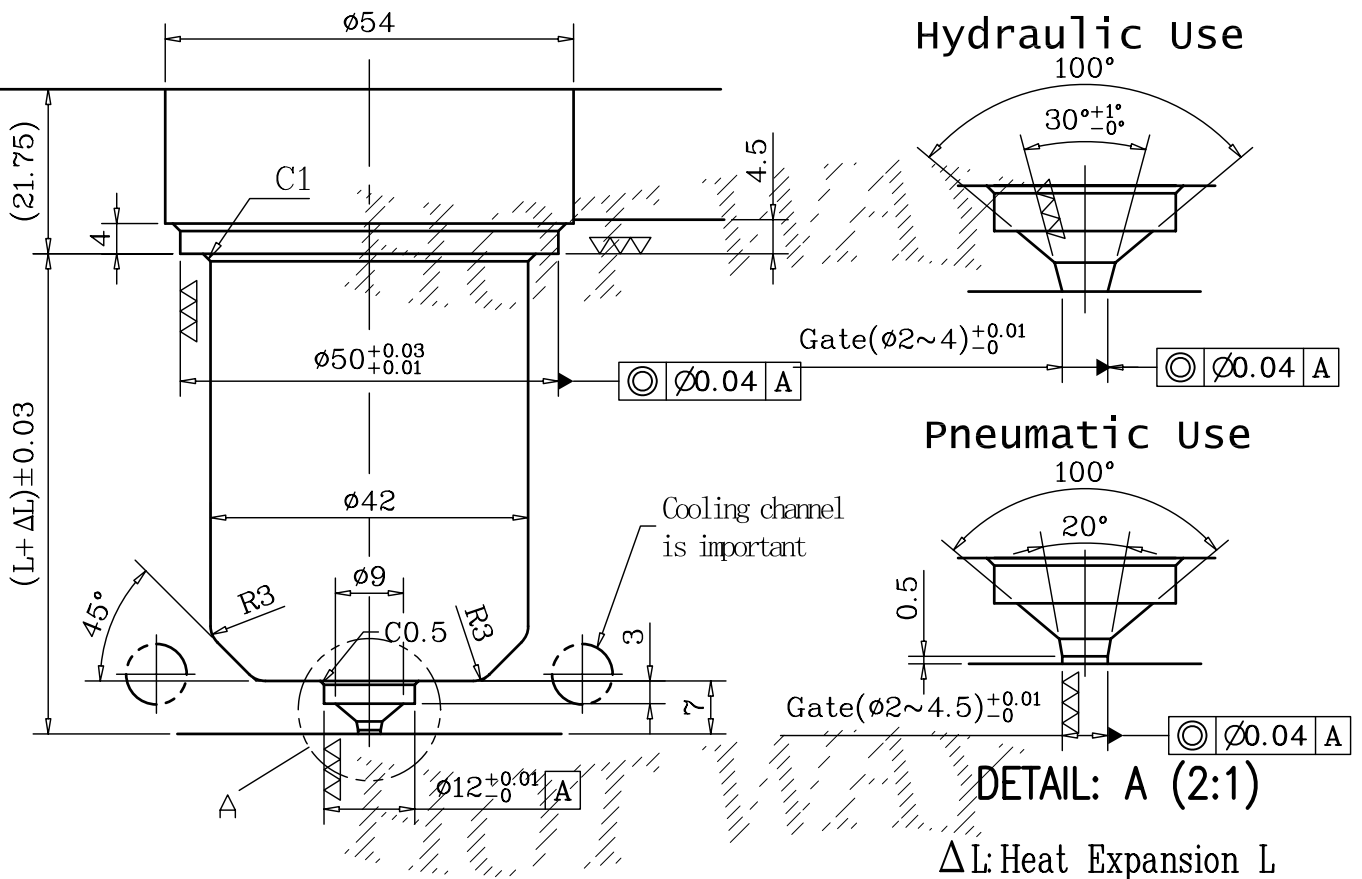
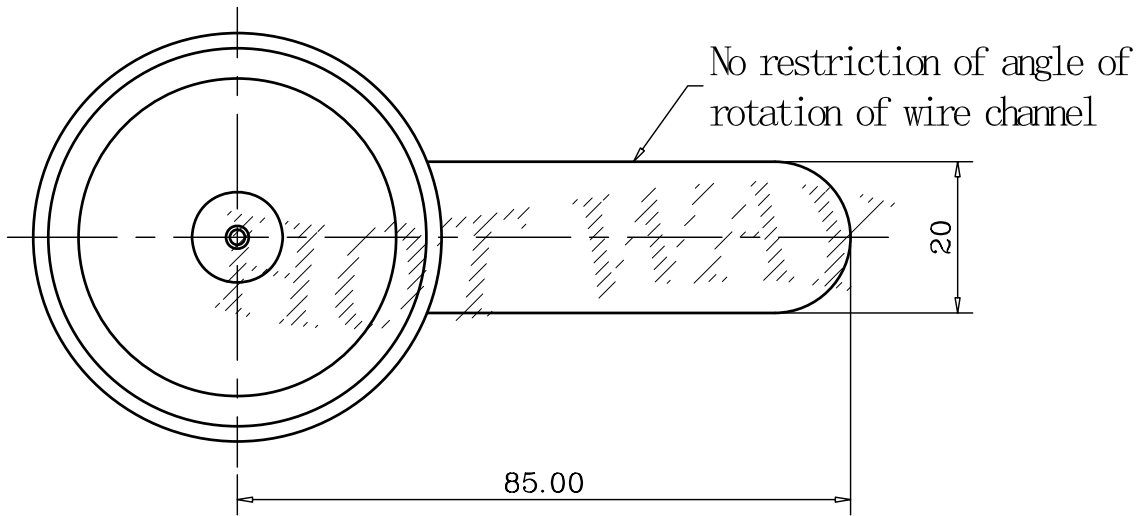


Shot weight (gm)	
High Flow	700
Medium Flow	500
Low Flow	200

Nozzle Part No	L(mm)	Heater Part No	Wattage
HTM-5020VL	50.8	CH-5020	450W
HTM-5025VL	63.5	CH-5025	450W
HTM-5030VL	76.2	CH-5030	600W
HTM-5035VL	88.9	CH-5035	600W
HTM-5040VL	101.6	CH-5040	700W
HTM-5050VL	127.0	CH-5050	700W
HTM-5060VL	152.4	CH-5060	800W

SERIES 50 VL-TYPE

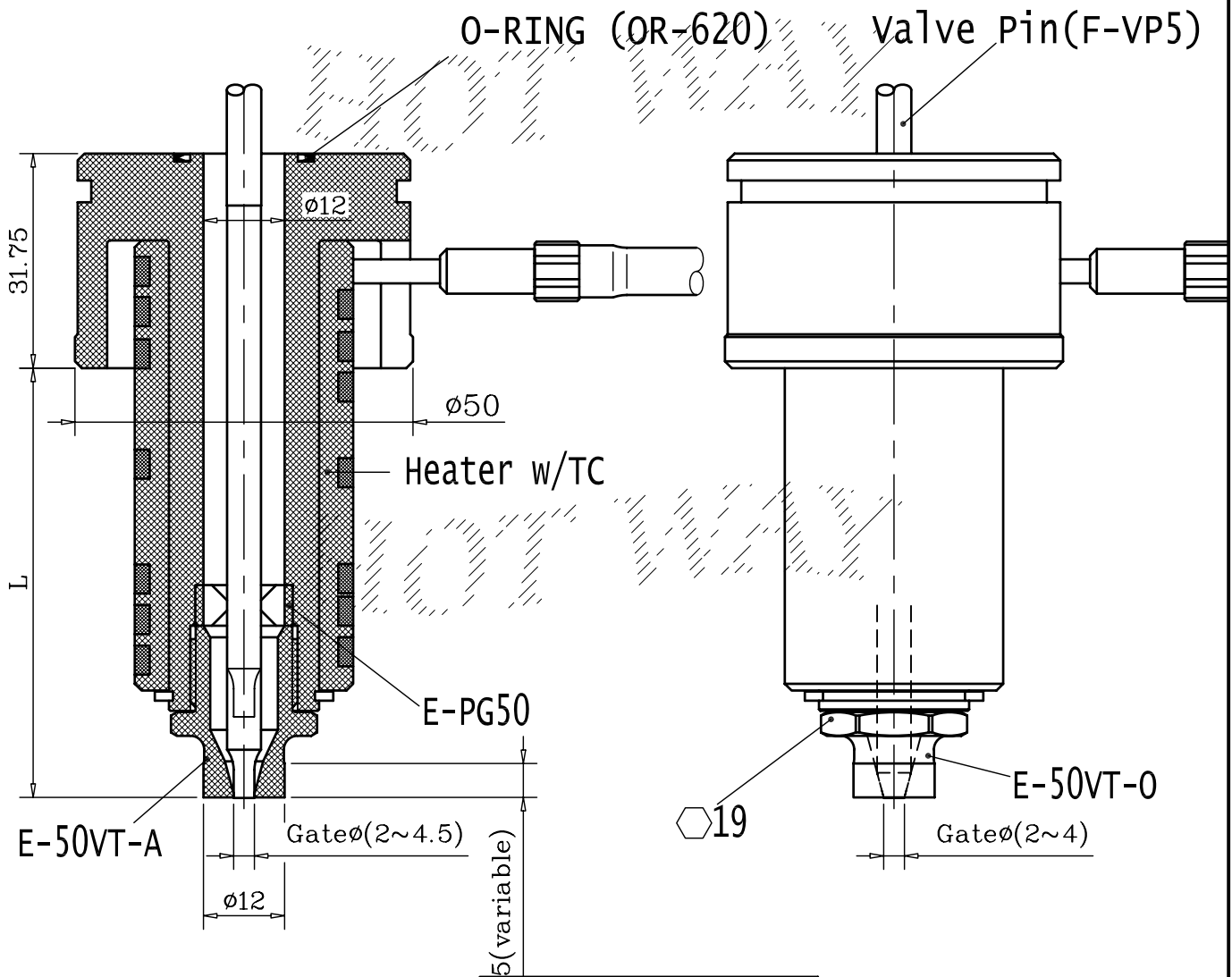
VALVE GATE



Nozzle Part No	L(mm)	L+ ΔL			
		150 °C	200 °C	250 °C	300 °C
HTM-5020VL	50.8	50.90	50.93	50.97	51.00
HTM-5025VL	63.5	63.63	63.67	63.71	63.75
HTM-5030VL	76.2	76.35	76.40	76.45	76.50
HTM-5035VL	88.9	89.08	89.13	89.19	89.25
HTM-5040VL	101.6	101.80	101.87	101.94	102.00
HTM-5050VL	127.0	127.25	127.34	127.42	127.50
HTM-5060VL	152.4	152.70	152.80	152.90	153.00

SERIES 50 VT-TYPE

VALVE GATE

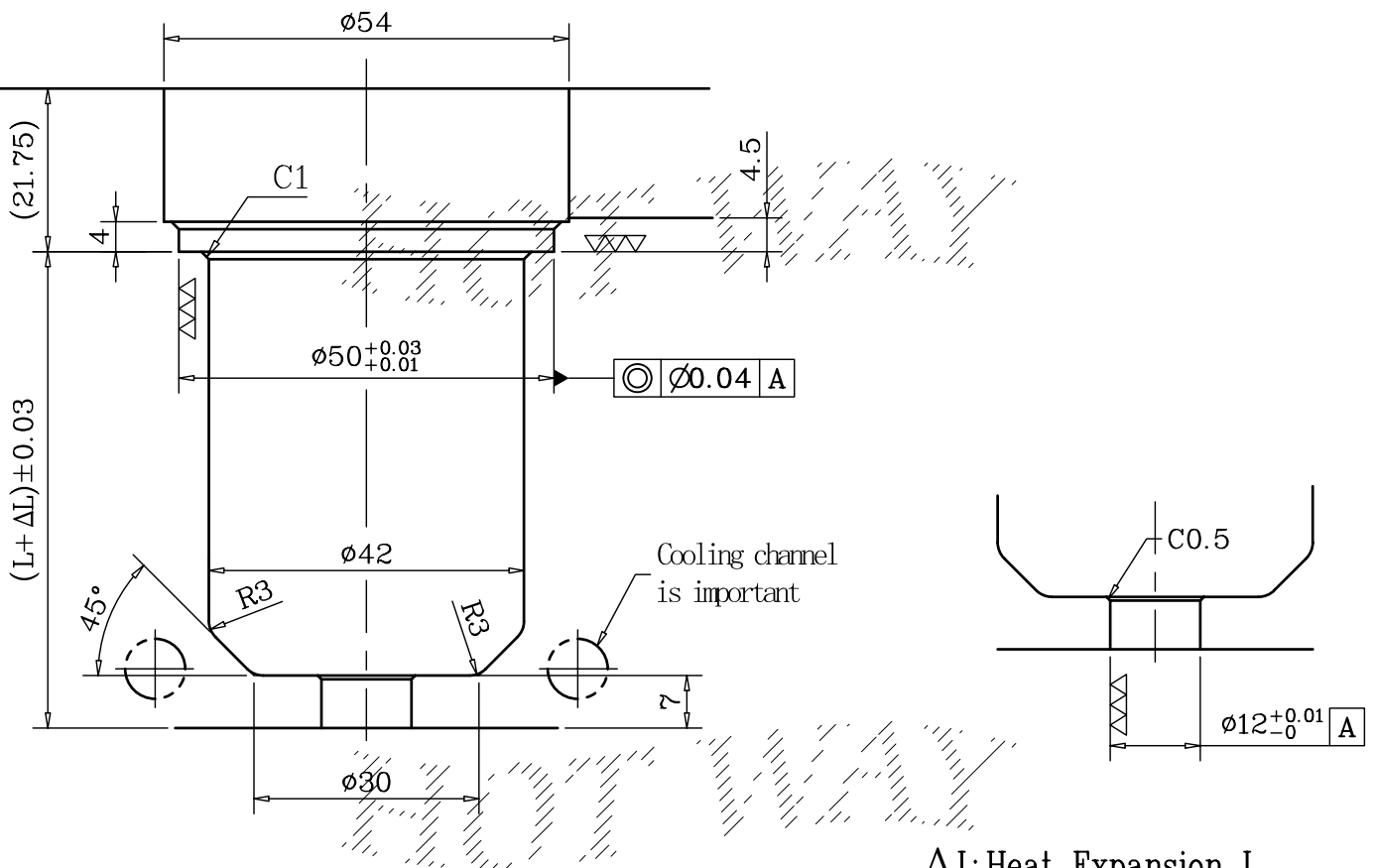
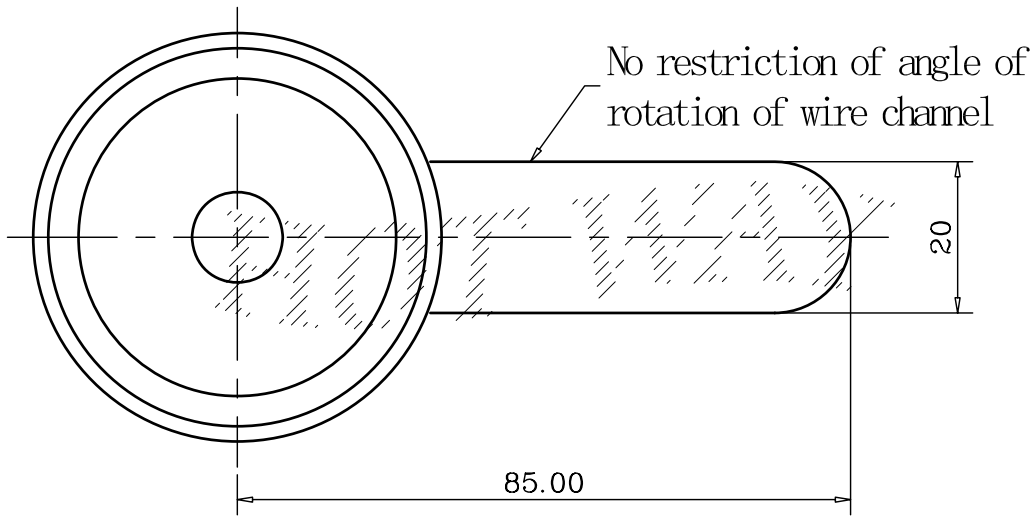


Shot weight (gm)	
High Flow	700
Medium Flow	450
Low Flow	200

Nozzle Part No	L(mm)	Heater Part No	Wattage
HTM-5020VT	50.8	CH-5020	450W
HTM-5025VT	63.5	CH-5025	450W
HTM-5030VT	76.2	CH-5030	600W
HTM-5035VT	88.9	CH-5035	600W
HTM-5040VT	101.6	CH-5040	700W
HTM-5050VT	127.0	CH-5050	700W
HTM-5060VT	152.4	CH-5060	800W

SERIES 50 VT-TYPE

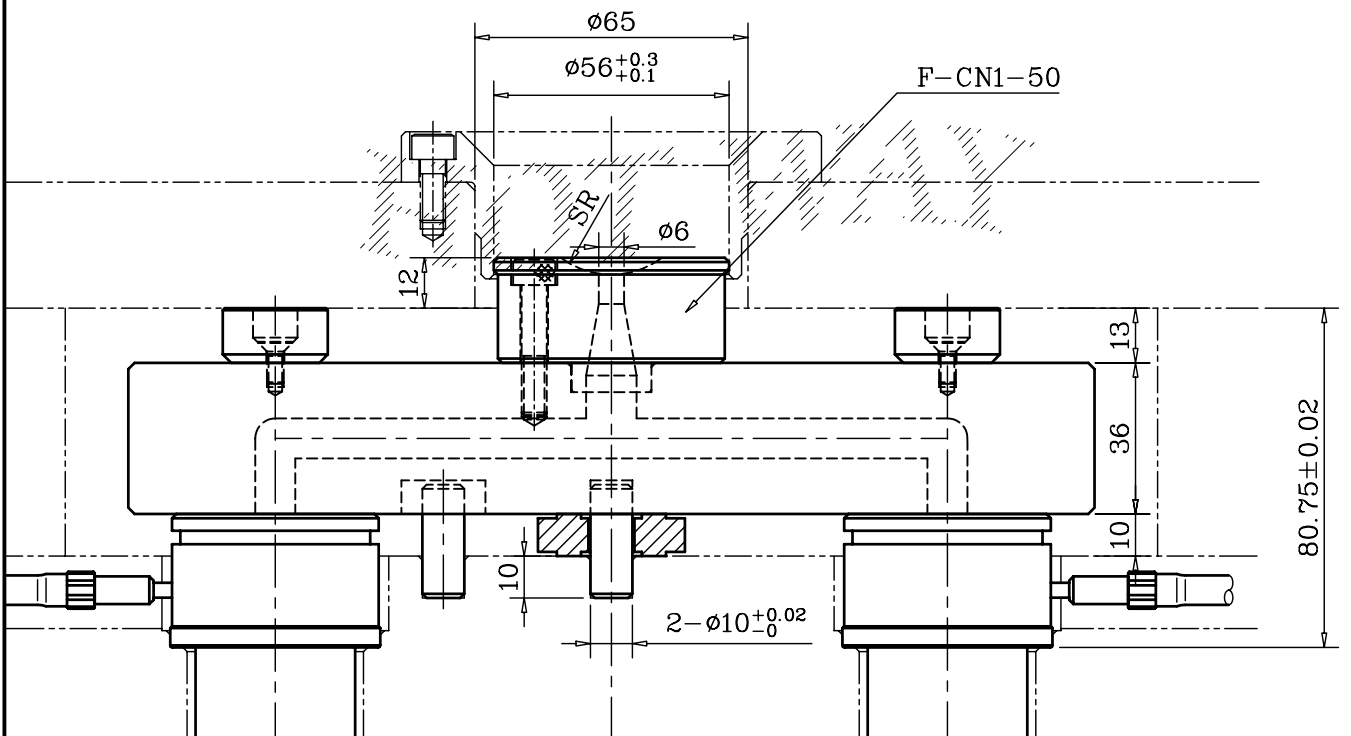
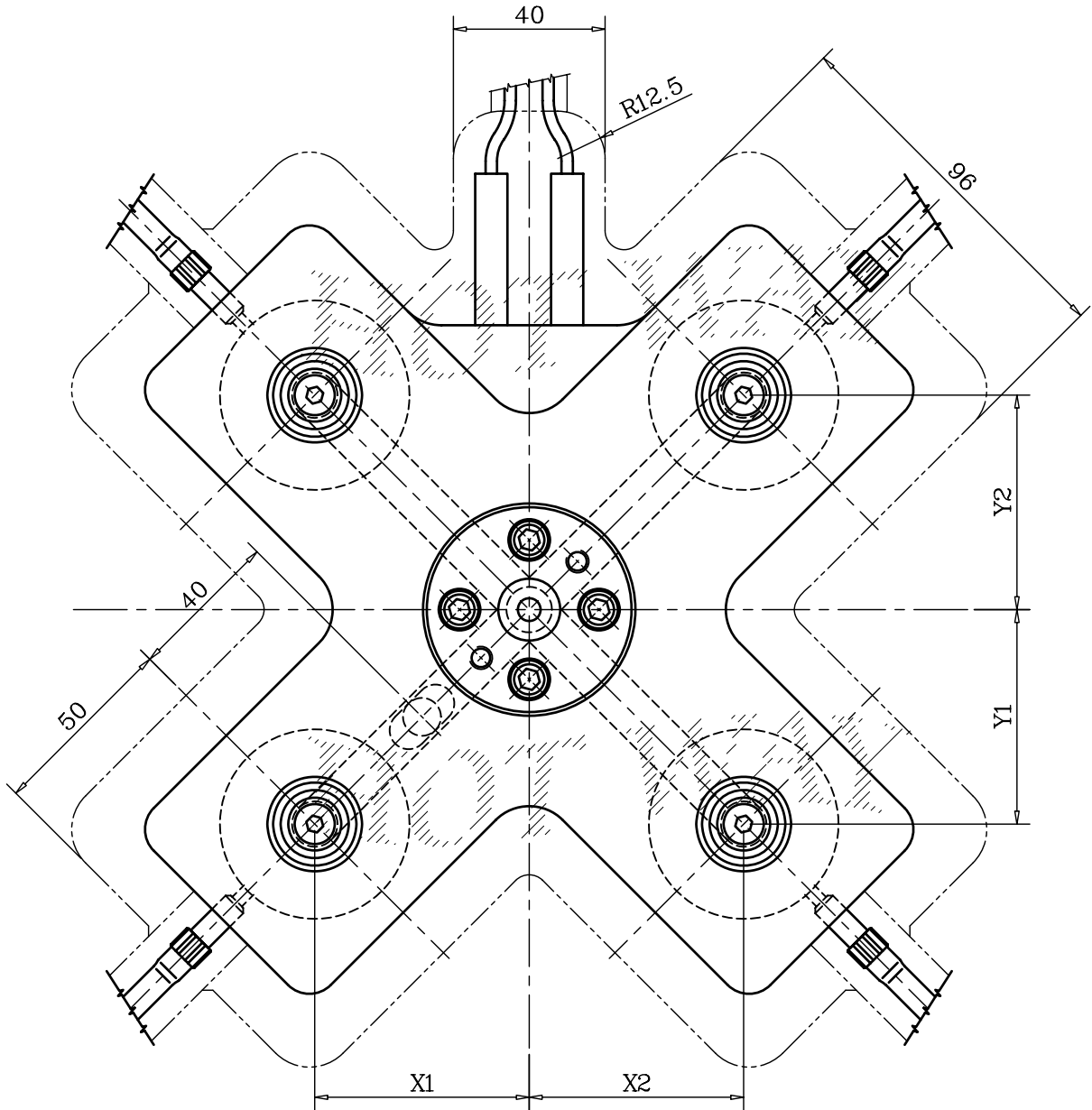
VALVE GATE



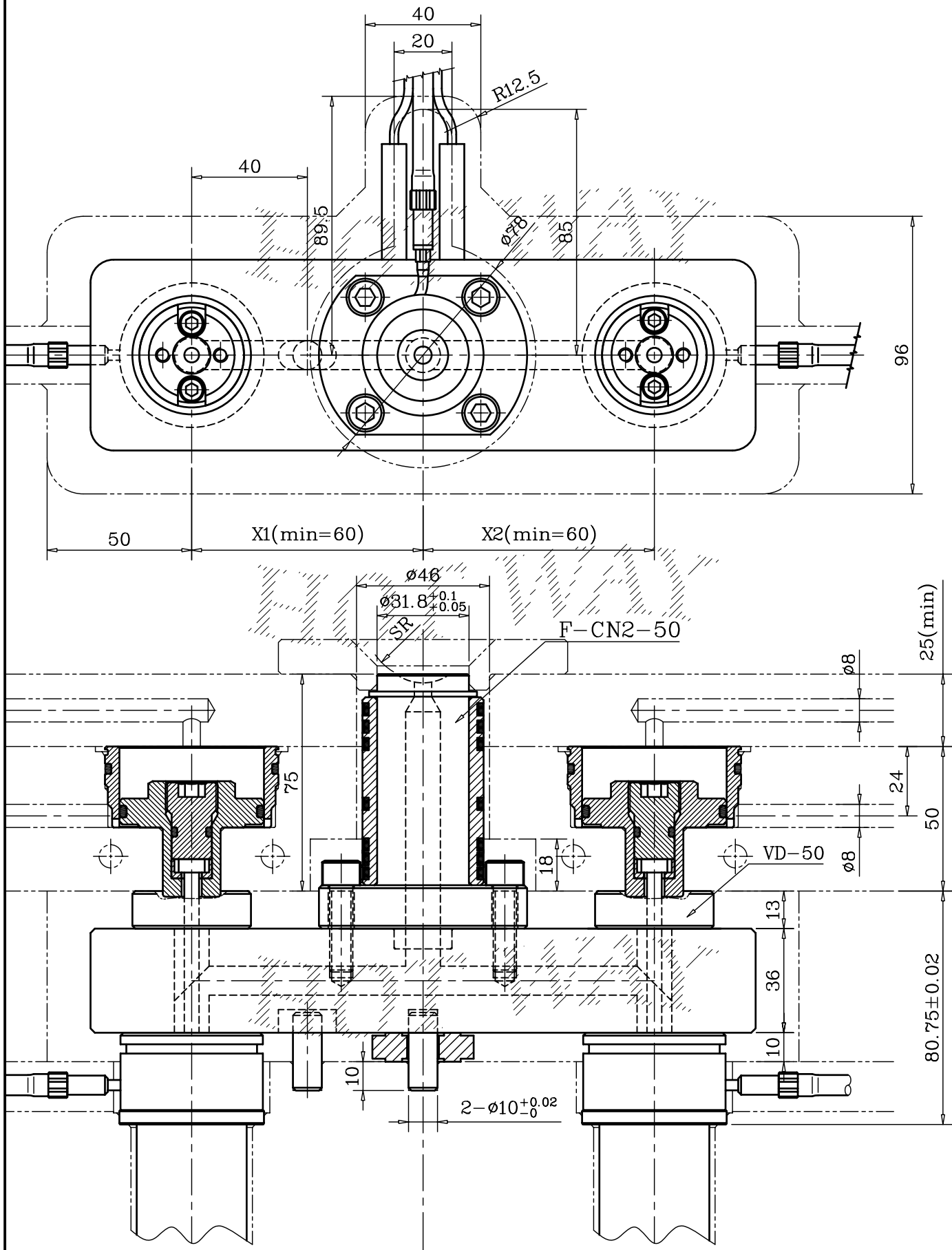
ΔL: Heat Expansion L

Nozzle Part No	L(mm)	L + ΔL			
		150 °C	200 °C	250 °C	300 °C
HTM-5020VT	50.8	50.90	50.93	50.97	51.00
HTM-5025VT	63.5	63.63	63.67	63.71	63.75
HTM-5030VT	76.2	76.35	76.40	76.45	76.50
HTM-5035VT	88.9	89.08	89.13	89.19	89.25
HTM-5040VT	101.6	101.80	101.87	101.94	102.00
HTM-5050VT	127.0	127.25	127.34	127.42	127.50
HTM-5060VT	152.4	152.70	152.80	152.90	153.00

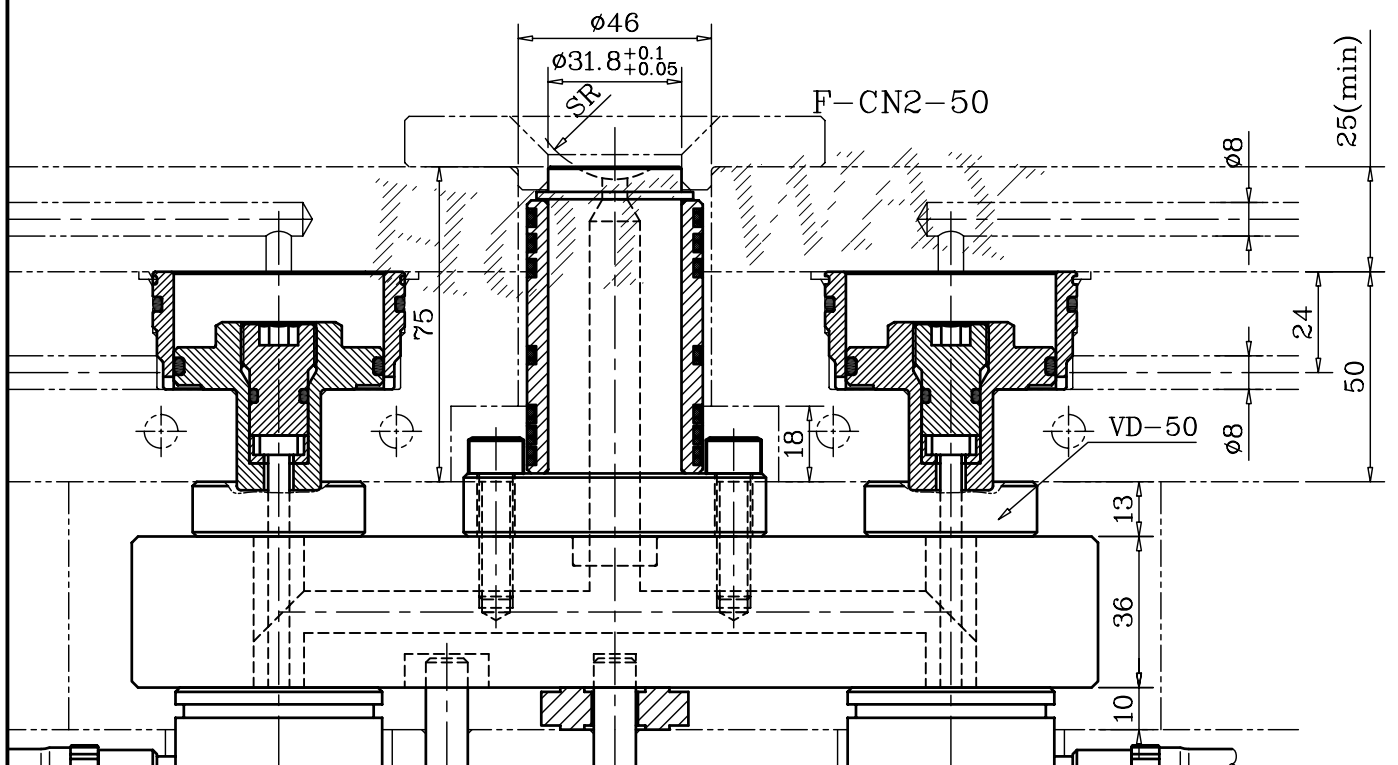
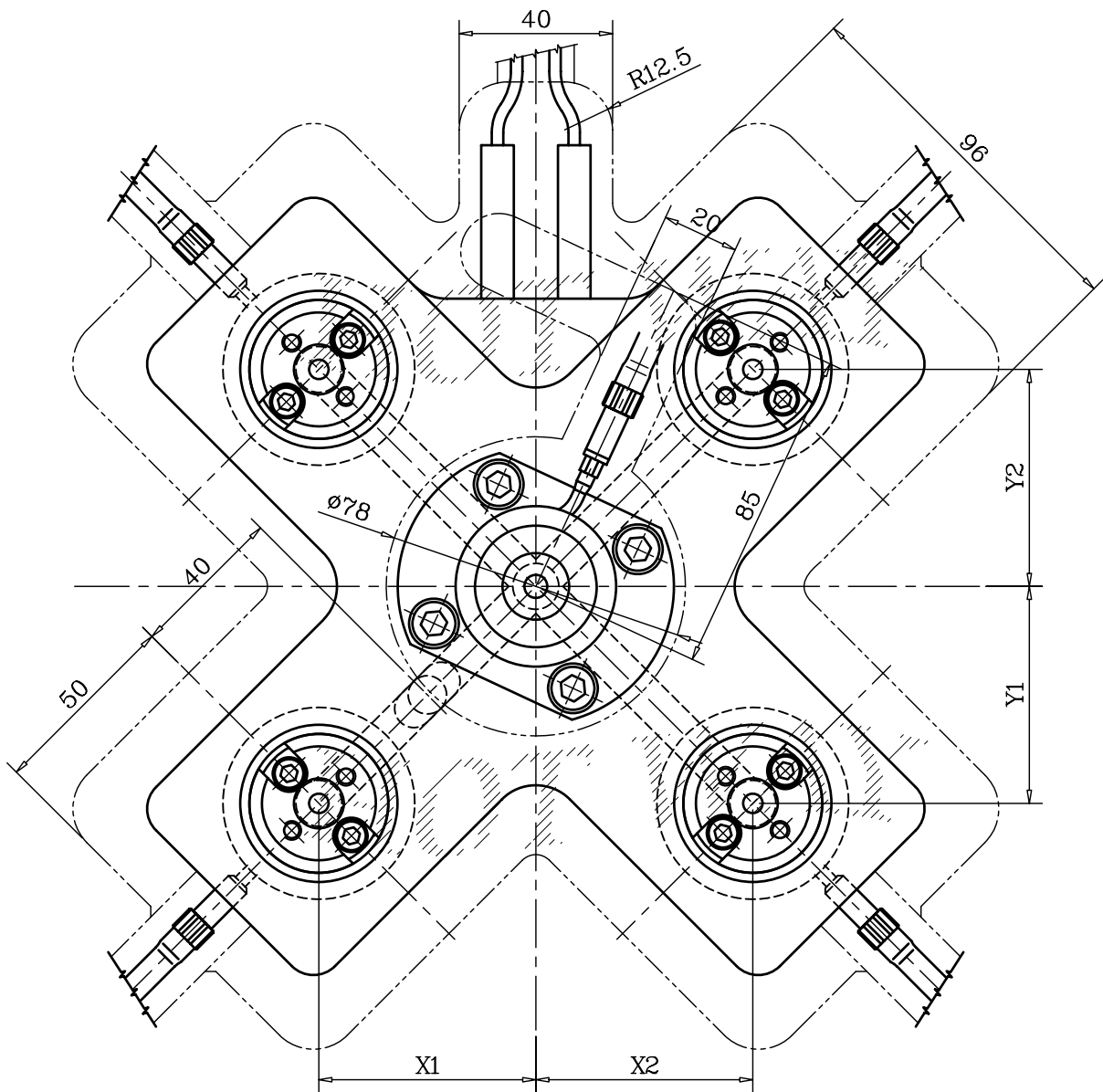
Series 50 Non Valve Manifold



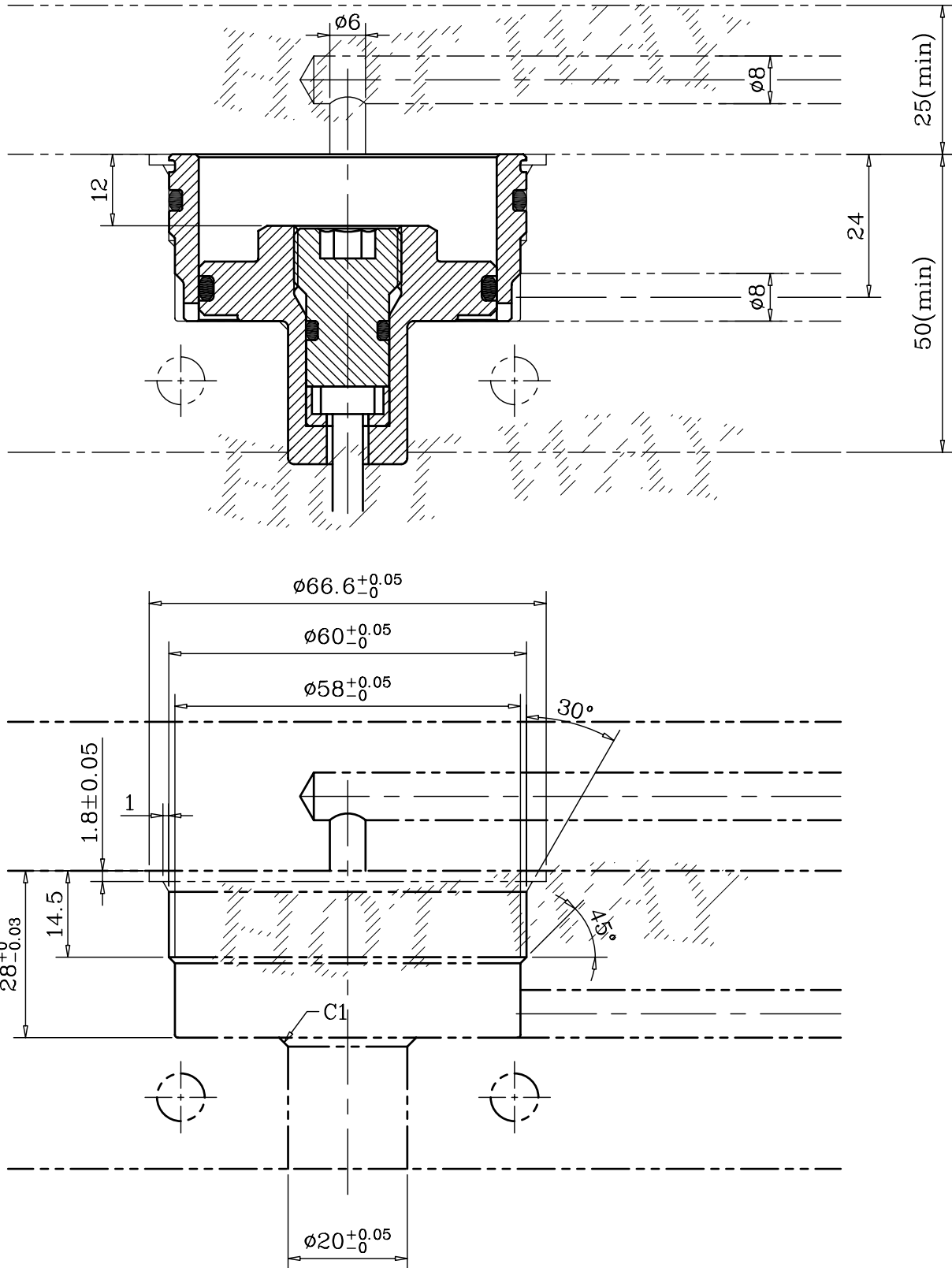
Series 50 Valve Gate Manifold



Series 50 Valve Gate Manifold



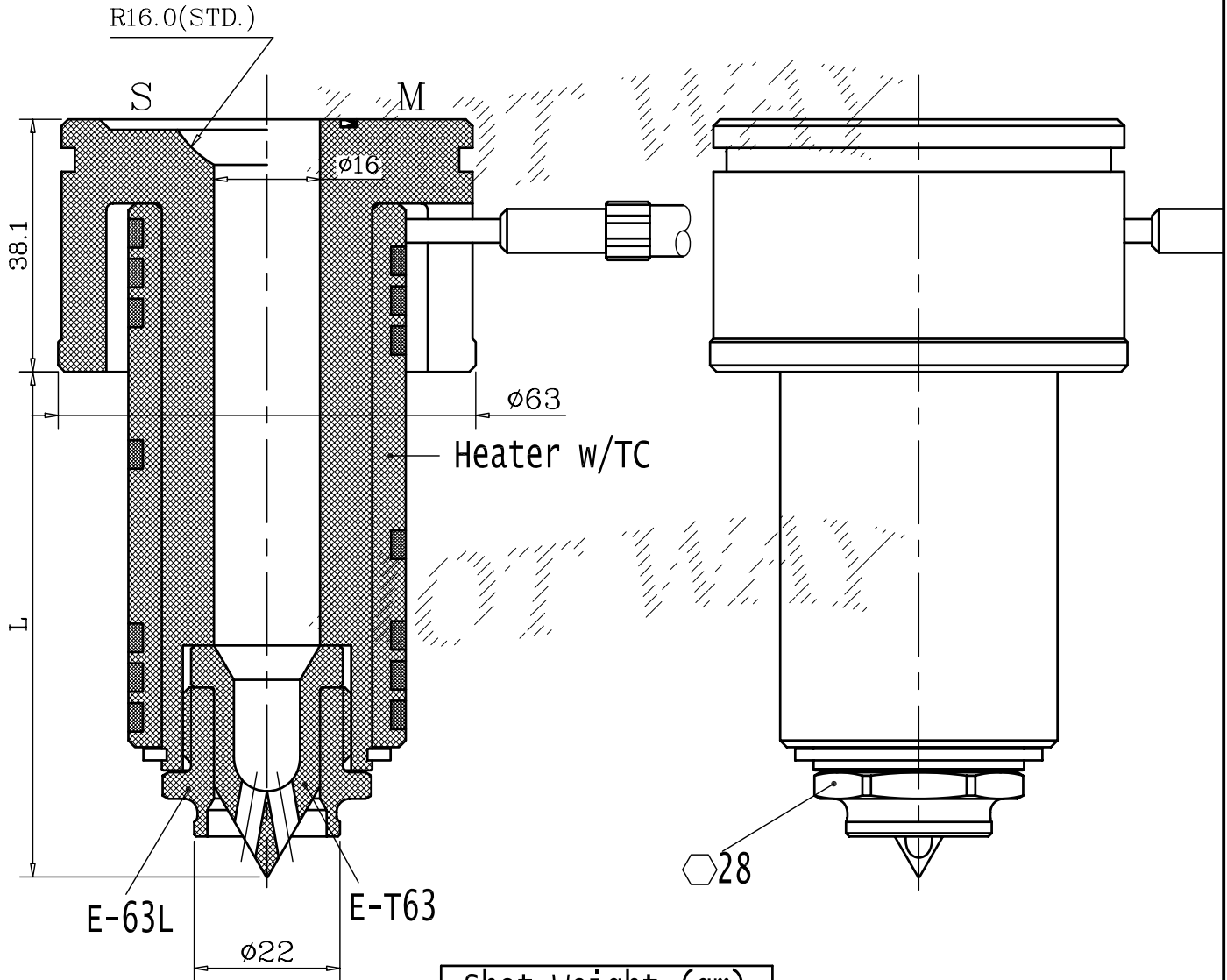
AV-50A VALVE ACTUATOR



BLANK PAGE

SERIES 63 L-TYPE

S Single
M Manifold (OR-640)

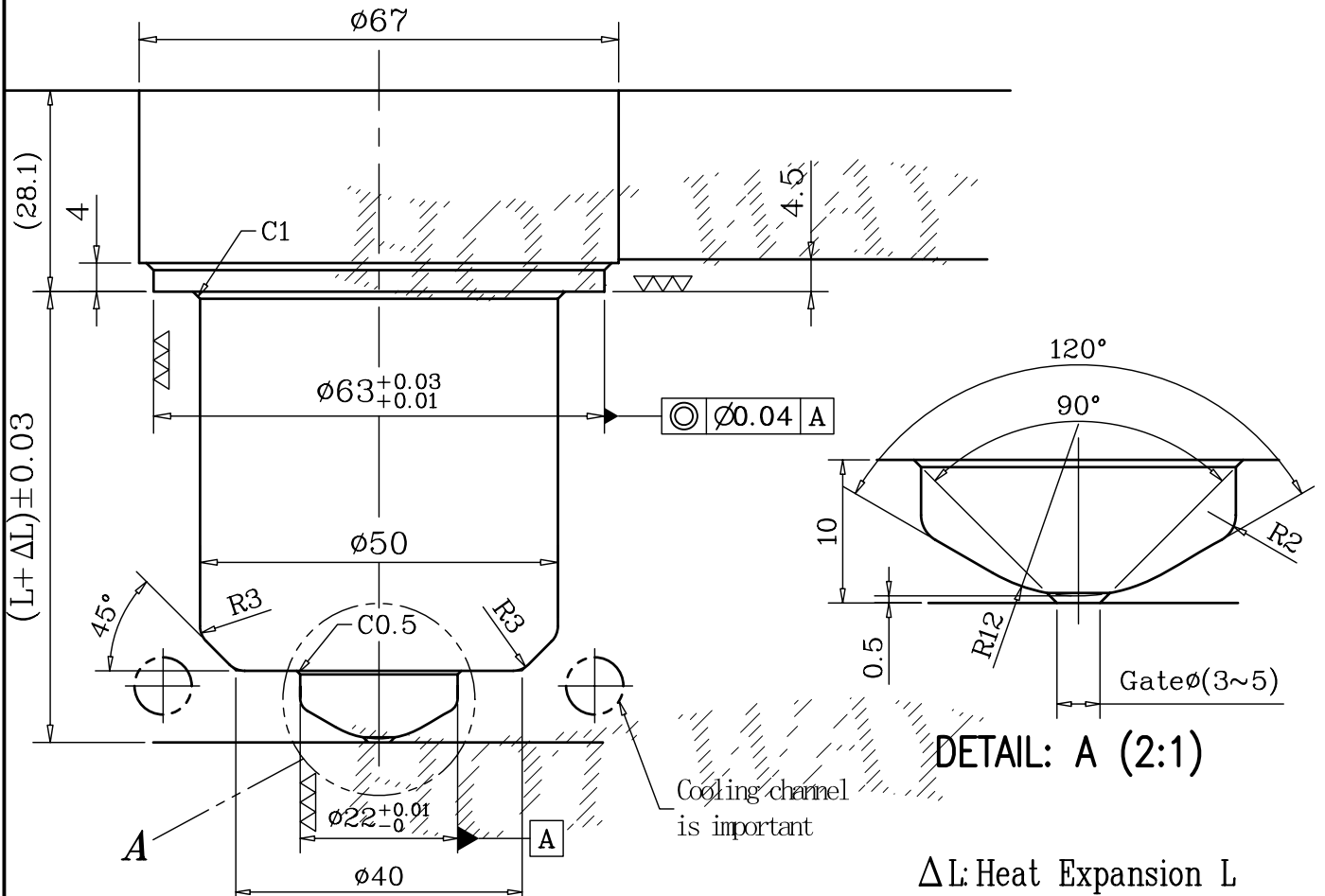
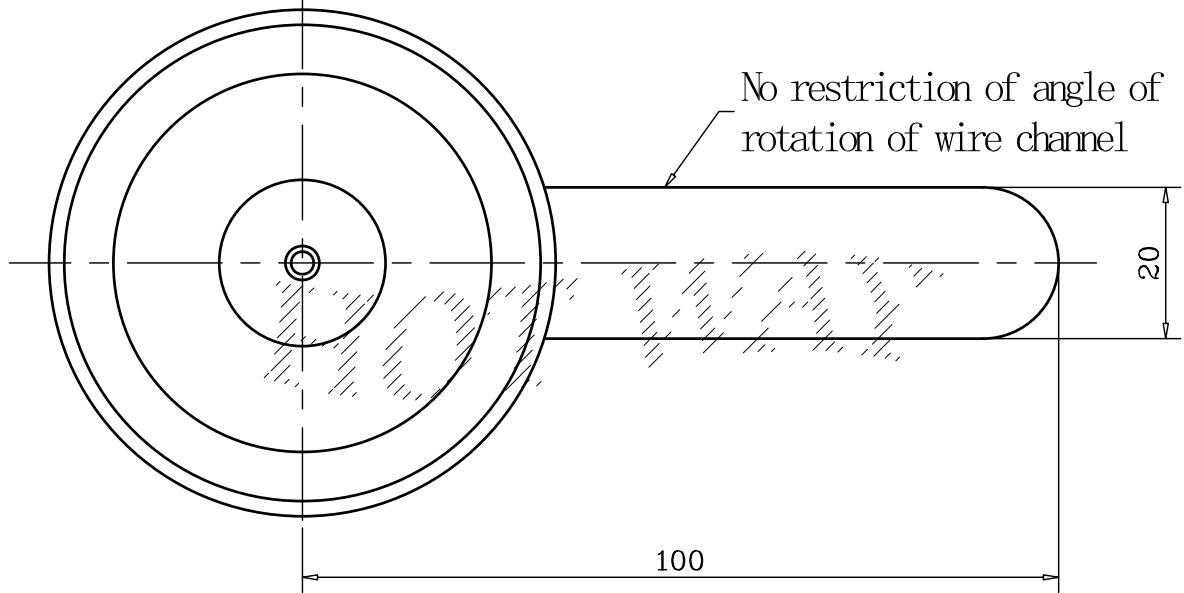


Shot weight (gm)	
High Flow	750
Medium Flow	500
Low Flow	375

HTS: Single Nozzle HTM: Multi Nozzles

Nozzle Part No	L(mm)	Heater Part No	Wattage
HT _S ^M -6325L	63.5	CH-6325	500W
HT _S ^M -6335L	88.9	CH-6335	700W
HT _S ^M -6345L	114.3	CH-6345	800W
HT _S ^M -6355L	139.7	CH-6355	900W
HT _S ^M -6365L	165.1	CH-6365	900W
HT _S ^M -6385L	215.9	CH-6385	1100W

SERIES 63 L-TYPE



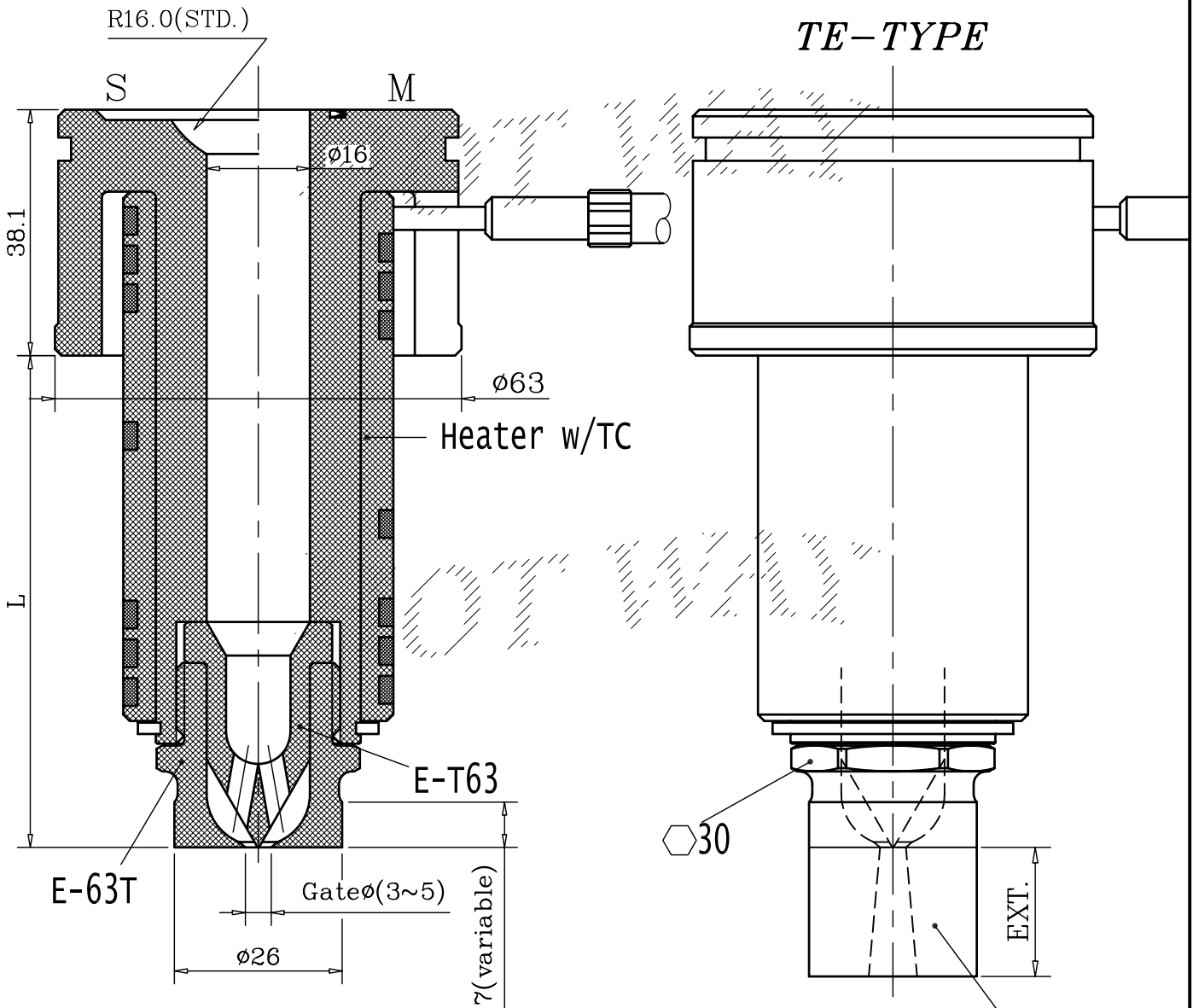
ΔL : Heat Expansion L

HTS: Single Nozzle HTM: Multi Nozzles

Nozzle Part No	L(mm)	L+ ΔL			
		150 °C	200 °C	250 °C	300 °C
HT _S ^M -6325L	63.5	63.63	63.67	63.71	63.75
HT _S ^M -6335L	88.9	89.08	89.13	89.19	89.25
HT _S ^M -6345L	114.3	114.53	114.60	114.68	114.75
HT _S ^M -6355L	139.7	139.98	140.07	140.16	140.25
HT _S ^M -6365L	165.1	165.43	165.54	165.64	165.75
HT _S ^M -6385L	215.9	216.33	216.47	216.61	216.75

SERIES 63 T/TE-TYPE

S Single
M Manifold (OR-640)



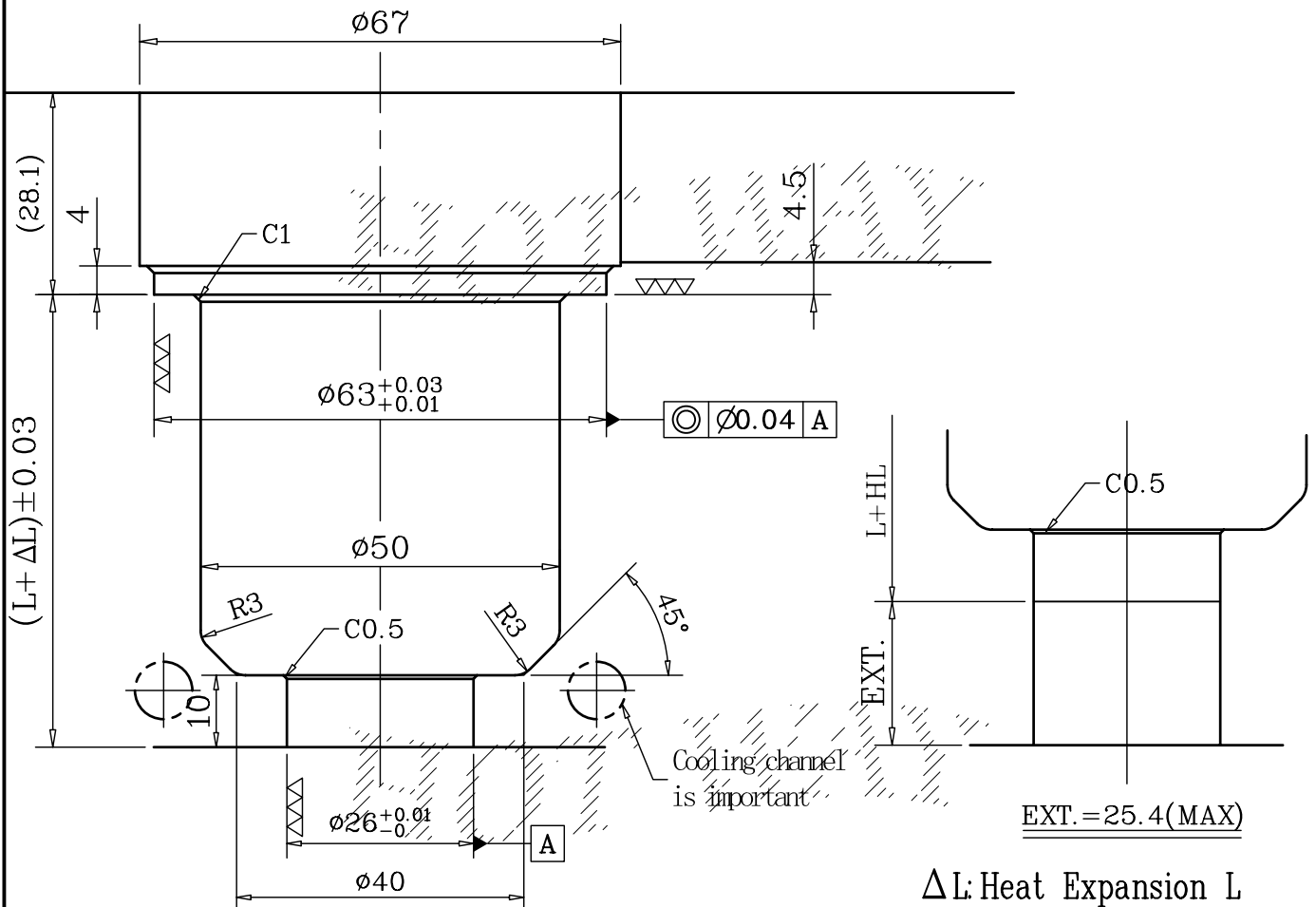
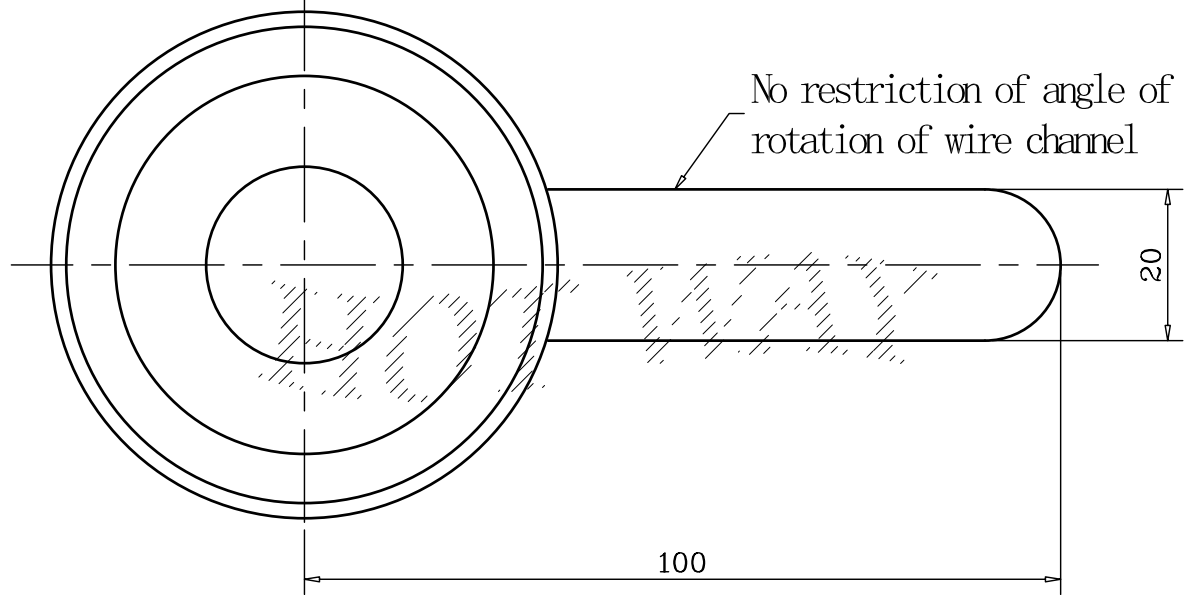
Shot weight (gm)	
High Flow	900
Medium Flow	650
Low Flow	425

EXT. = 25.4 (MAX)

HTS: Single Nozzle HTM: Multi Nozzles

Nozzle Part No	L(mm)	Heater Part No	Wattage
HT _S ^M -6325T	63.5	CH-6325	500W
HT _S ^M -6335T	88.9	CH-6335	700W
HT _S ^M -6345T	114.3	CH-6345	800W
HT _S ^M -6355T	139.7	CH-6355	900W
HT _S ^M -6365T	165.1	CH-6365	900W
HT _S ^M -6385T	215.9	CH-6385	1100W

SERIES 63 T/TE-TYPE



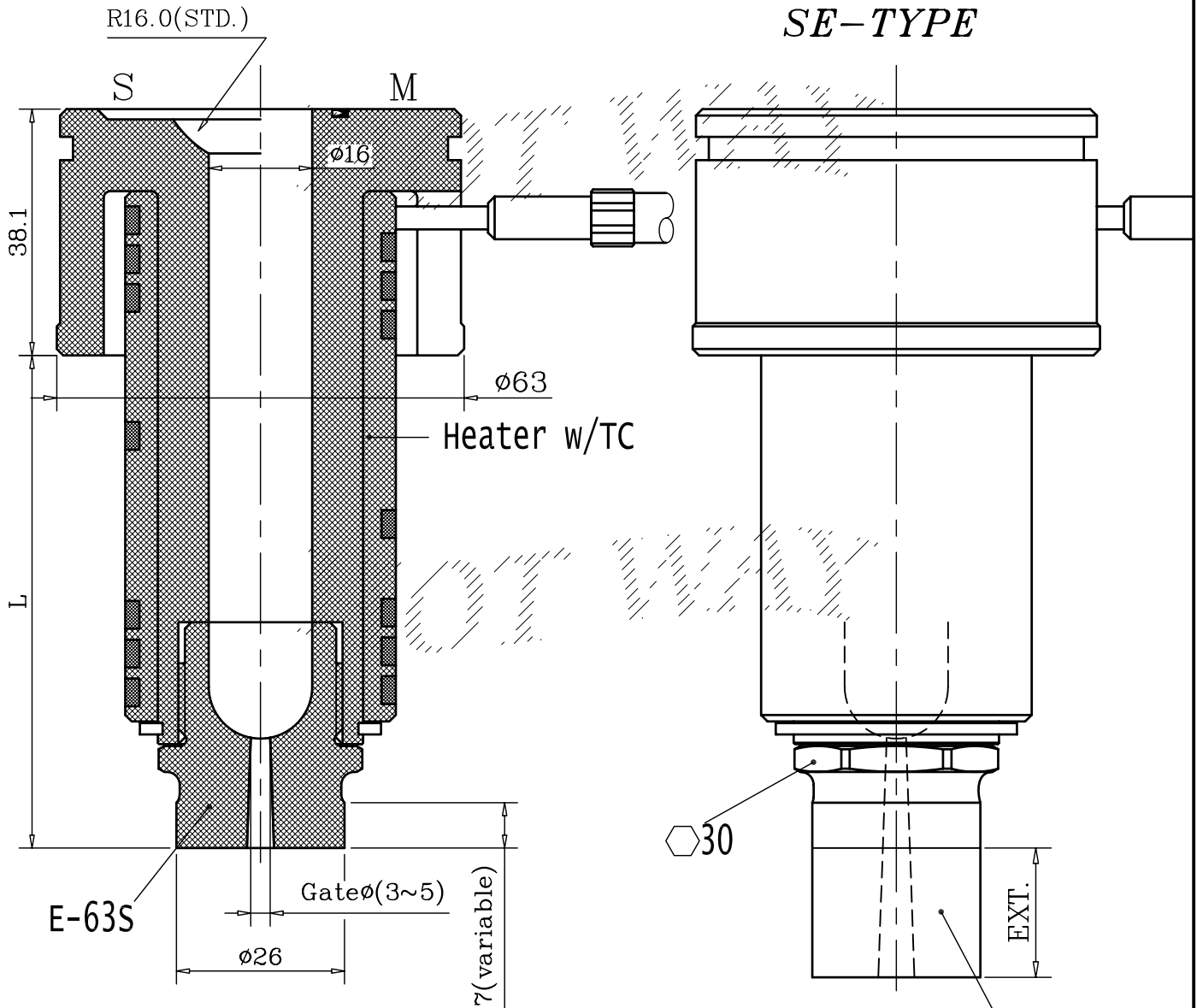
ΔL : Heat Expansion L

Nozzle Part No	L(mm)	L+ΔL			
		150 °C	200 °C	250 °C	300 °C
HTS ^M -6325T	63.5	63.63	63.67	63.71	63.75
HTS ^M -6335T	88.9	89.08	89.13	89.19	89.25
HTS ^M -6345T	114.3	114.53	114.60	114.68	114.75
HTS ^M -6355T	139.7	139.98	140.07	140.16	140.25
HTS ^M -6365T	165.1	165.43	165.54	165.64	165.75
HTS ^M -6385T	215.9	216.33	216.47	216.61	216.75

SERIES 63 S/SE-TYPE

S Single
M Manifold (OR-640)

SE-TYPE



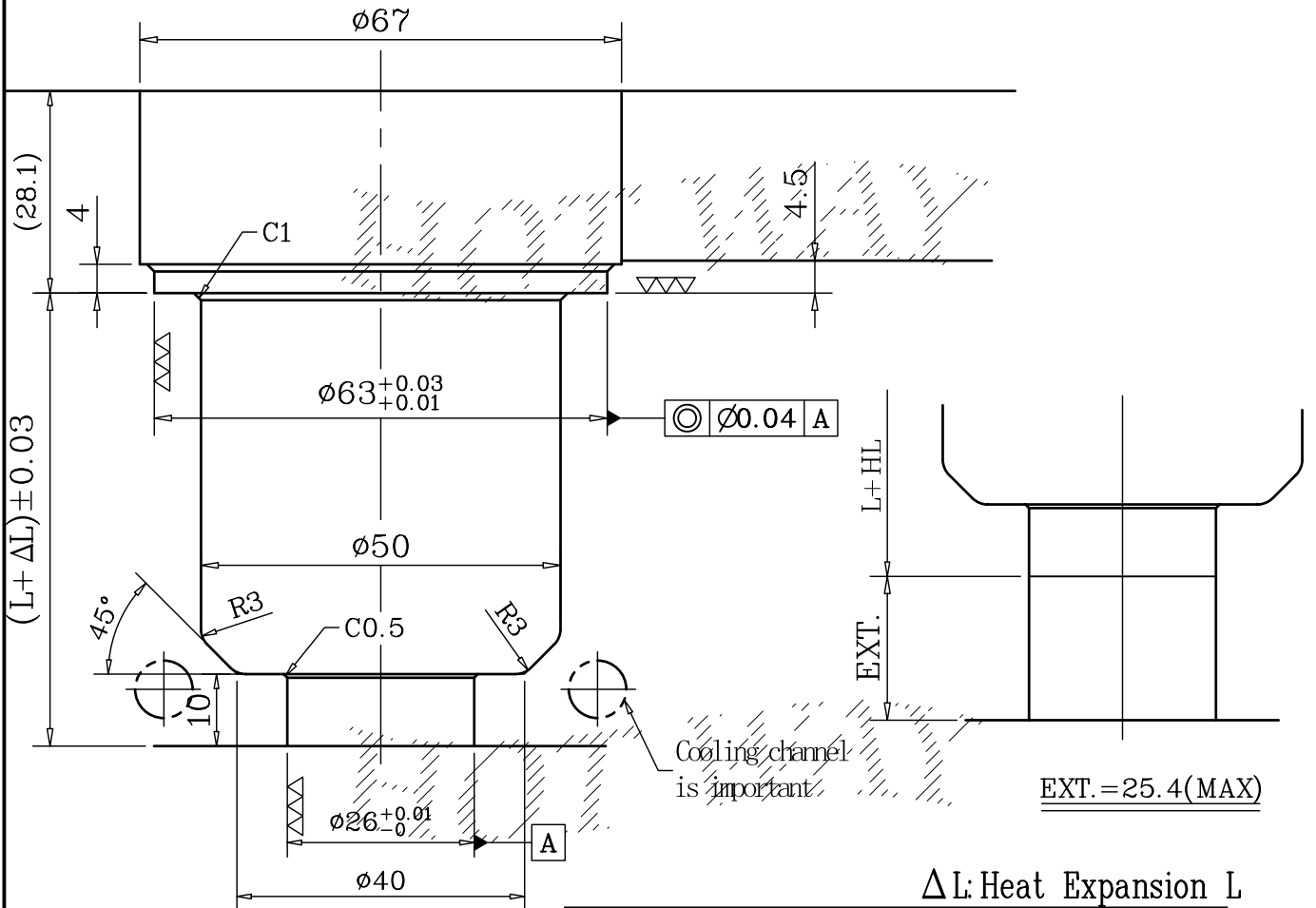
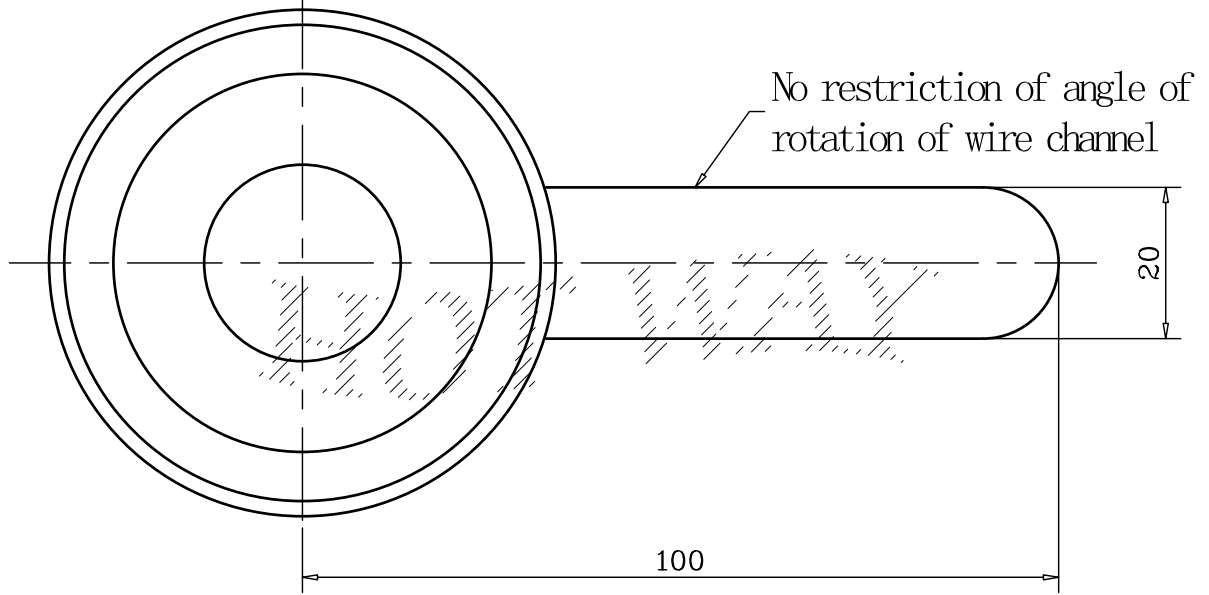
Shot weight (gm)	
High Flow	1500
Medium Flow	1250
Low Flow	1000

E-63SE
EXT. = 25.4 (MAX)

HTS: Single Nozzle HTM: Multi Nozzles

Nozzle Part No	L(mm)	Heater Part No	Wattage
HT _S ^M -6325S	63.5	CH-6325	500W
HT _S ^M -6335S	88.9	CH-6335	700W
HT _S ^M -6345S	114.3	CH-6345	800W
HT _S ^M -6355S	139.7	CH-6355	900W
HT _S ^M -6365S	165.1	CH-6365	900W
HT _S ^M -6385S	215.9	CH-6385	1100W

SERIES 63 S/SE-TYPE



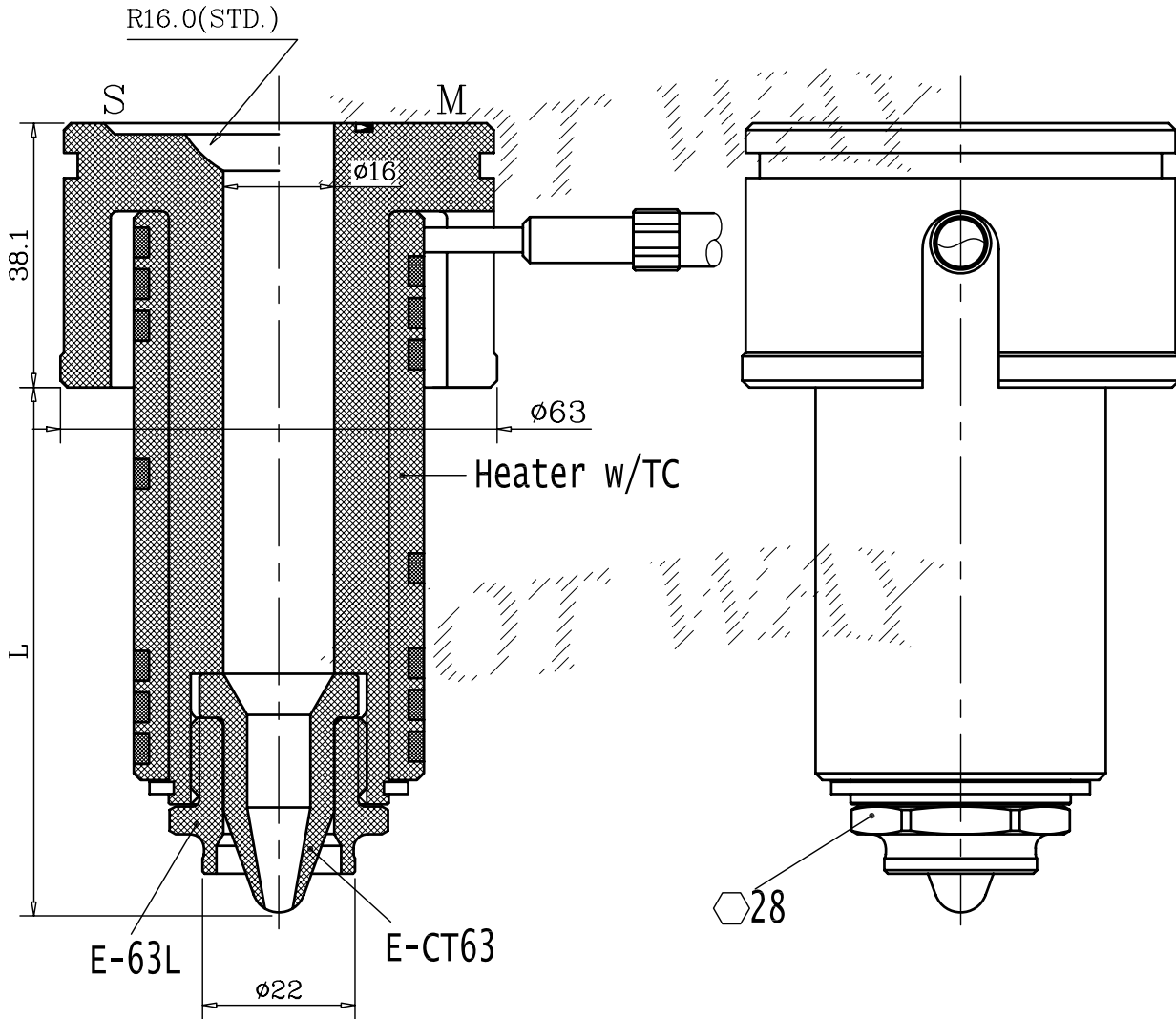
ΔL : Heat Expansion L

HTS: Single Nozzle HTM: Multi Nozzles

Nozzle Part No	L(mm)	L+ΔL			
		150 °C	200 °C	250 °C	300 °C
HT _S ^M -6325S	63.5	63.63	63.67	63.71	63.75
HT _S ^M -6335S	88.9	89.08	89.13	89.19	89.25
HT _S ^M -6345S	114.3	114.53	114.60	114.68	114.75
HT _S ^M -6355S	139.7	139.98	140.07	140.16	140.25
HT _S ^M -6365S	165.1	165.43	165.54	165.64	165.75
HT _S ^M -6385S	215.9	216.33	216.47	216.61	216.75

SERIES 63 LC-TYPE

S Single
M Manifold (OR-640)

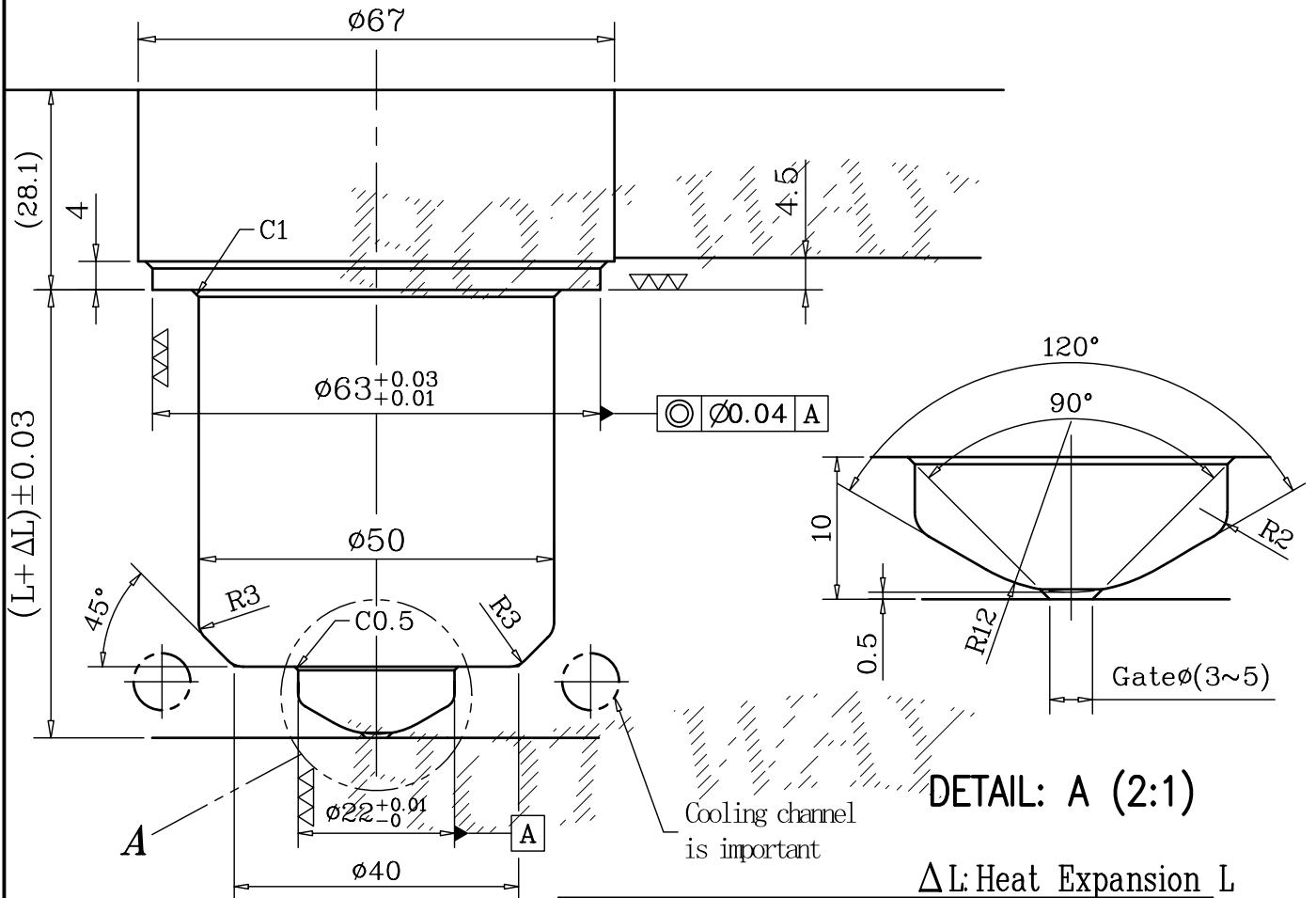
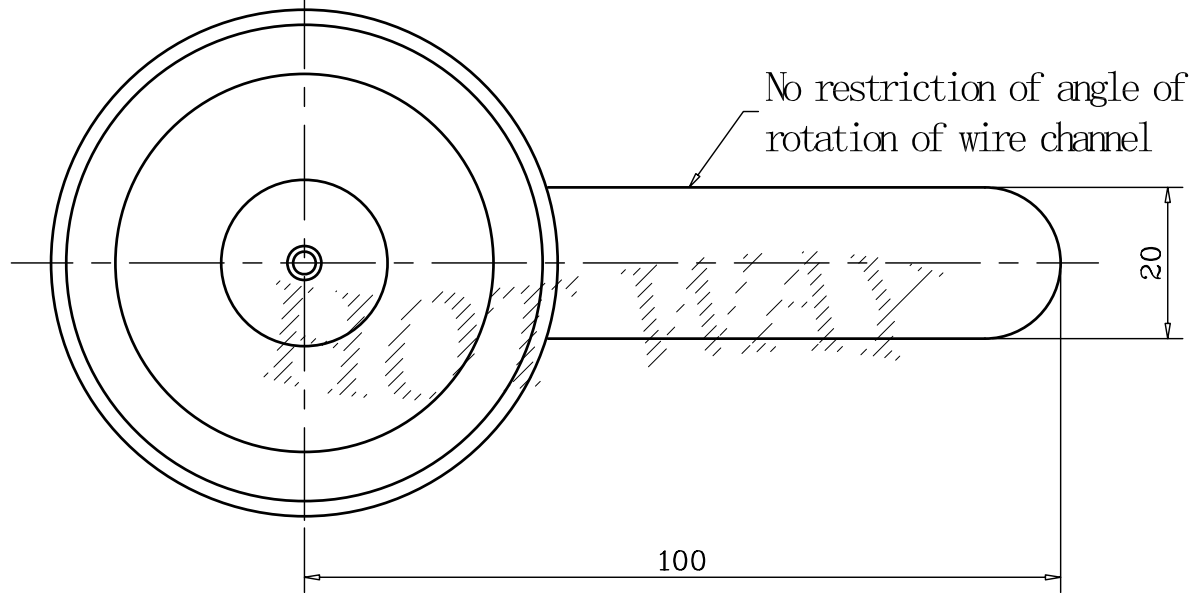


Shot weight (gm)	
High Flow	1250
Medium Flow	1000
Low Flow	750

HTS: Single Nozzle HTM: Multi Nozzles

Nozzle Part No	L(mm)	Heater Part No	Wattage
HT _S ^M -6325LC	63.5	CH-6325	500W
HT _S ^M -6335LC	88.9	CH-6335	700W
HT _S ^M -6345LC	114.3	CH-6345	800W
HT _S ^M -6355LC	139.7	CH-6355	900W
HT _S ^M -6365LC	165.1	CH-6365	900W
HT _S ^M -6385LC	215.9	CH-6385	1100W

SERIES 63 LC-TYPE



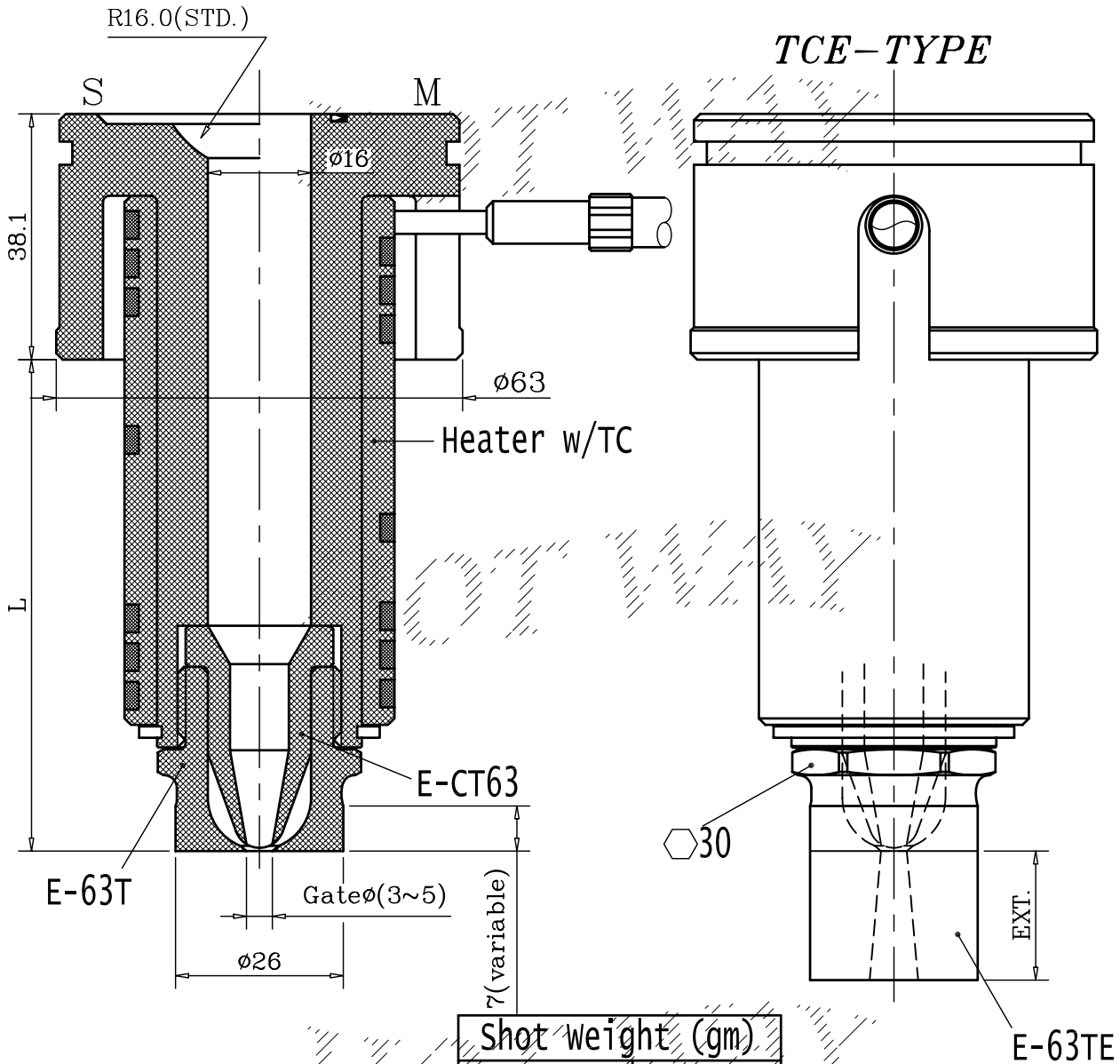
ΔL : Heat Expansion L

HTS: Single Nozzle HTM: Multi Nozzles

Nozzle Part No	L(mm)	L+ ΔL			
		150 °C	200 °C	250 °C	300 °C
HTS ^M -6325LC	63.5	63.63	63.67	63.71	63.75
HTS ^M -6335LC	88.9	89.08	89.13	89.19	89.25
HTS ^M -6345LC	114.3	114.53	114.60	114.68	114.75
HTS ^M -6355LC	139.7	139.98	140.07	140.16	140.25
HTS ^M -6365LC	165.1	165.43	165.54	165.64	165.75
HTS ^M -6385LC	215.9	216.33	216.47	216.61	216.75

SERIES 63 TC/TCE-TYPE

S Single
M Manifold (OR-640)



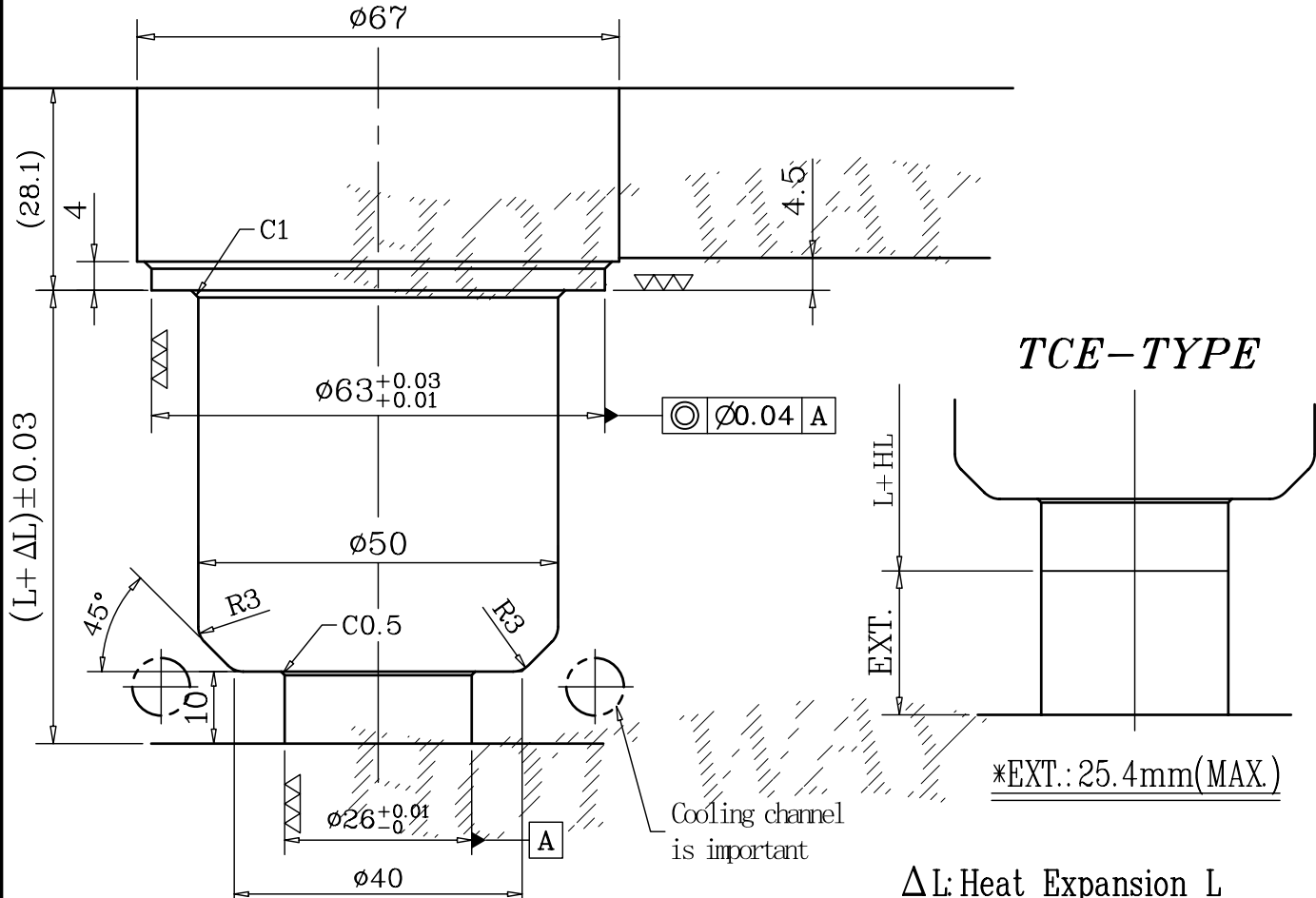
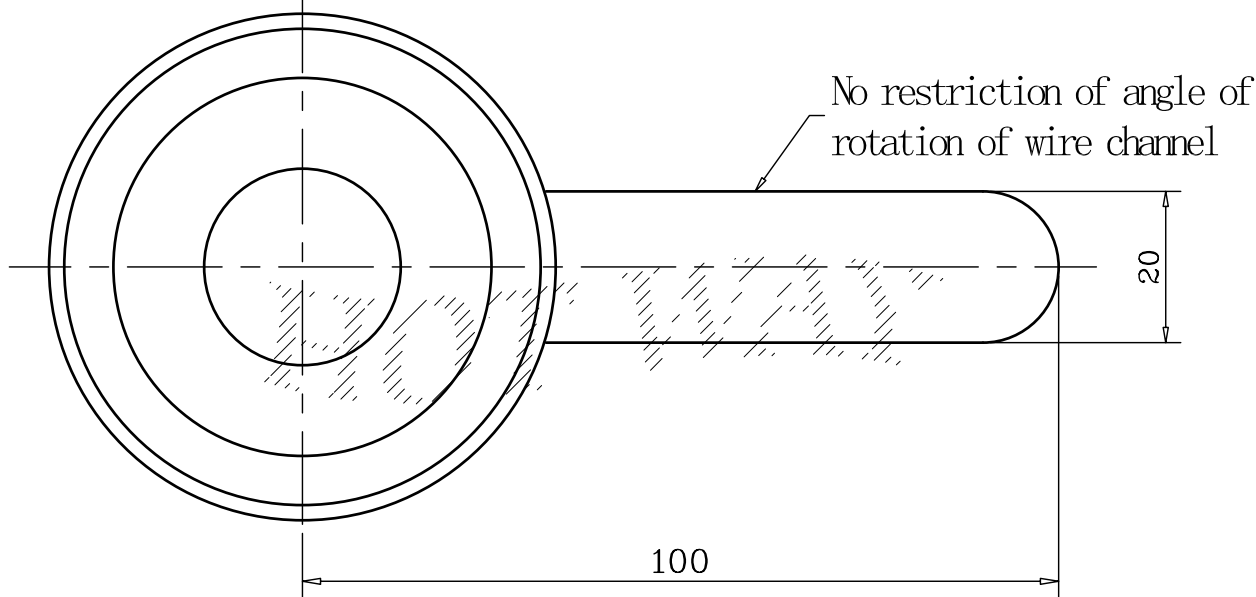
Shot weight (gm)	
High Flow	1250
Medium Flow	1000
Low Flow	750

EXT. = 25.4 (MAX)

HTS: Single Nozzle HTM: Multi Nozzles

Nozzle Part No	L(mm)	Heater Part No	Wattage
HT _S ^M -6325TC	63.5	CH-6325	500W
HT _S ^M -6335TC	88.9	CH-6335	700W
HT _S ^M -6345TC	114.3	CH-6345	800W
HT _S ^M -6355TC	139.7	CH-6355	900W
HT _S ^M -6365TC	165.1	CH-6365	900W
HT _S ^M -6385TC	215.9	CH-6385	1100W

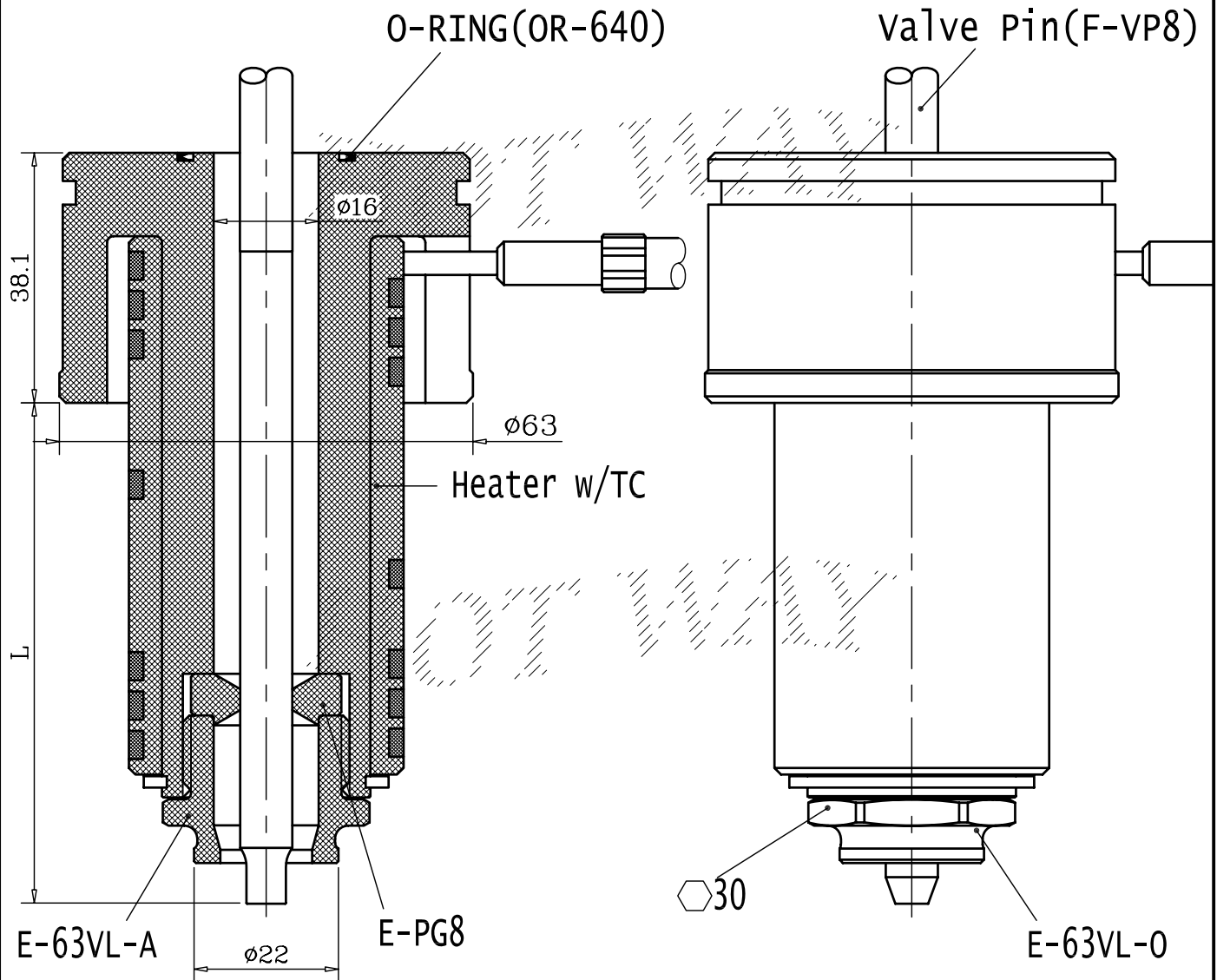
SERIES 63 TC/TCE-TYPE



HTS: Single Nozzle HTM: Multi Nozzles		$L + \Delta L$			
Nozzle Part No	L(mm)	150 °C	200 °C	250 °C	300 °C
HT _S ^M -6325TC	63.5	63.63	63.67	63.71	63.75
HT _S ^M -6335TC	88.9	89.08	89.13	89.19	89.25
HT _S ^M -6345TC	114.3	114.53	114.60	114.68	114.75
HT _S ^M -6355TC	139.7	139.98	140.07	140.16	140.25
HT _S ^M -6365TC	165.1	165.43	165.54	165.64	165.75
HT _S ^M -6385TC	215.9	216.33	216.47	216.61	216.75

SERIES 63 VL-TYPE

VALVE GATE

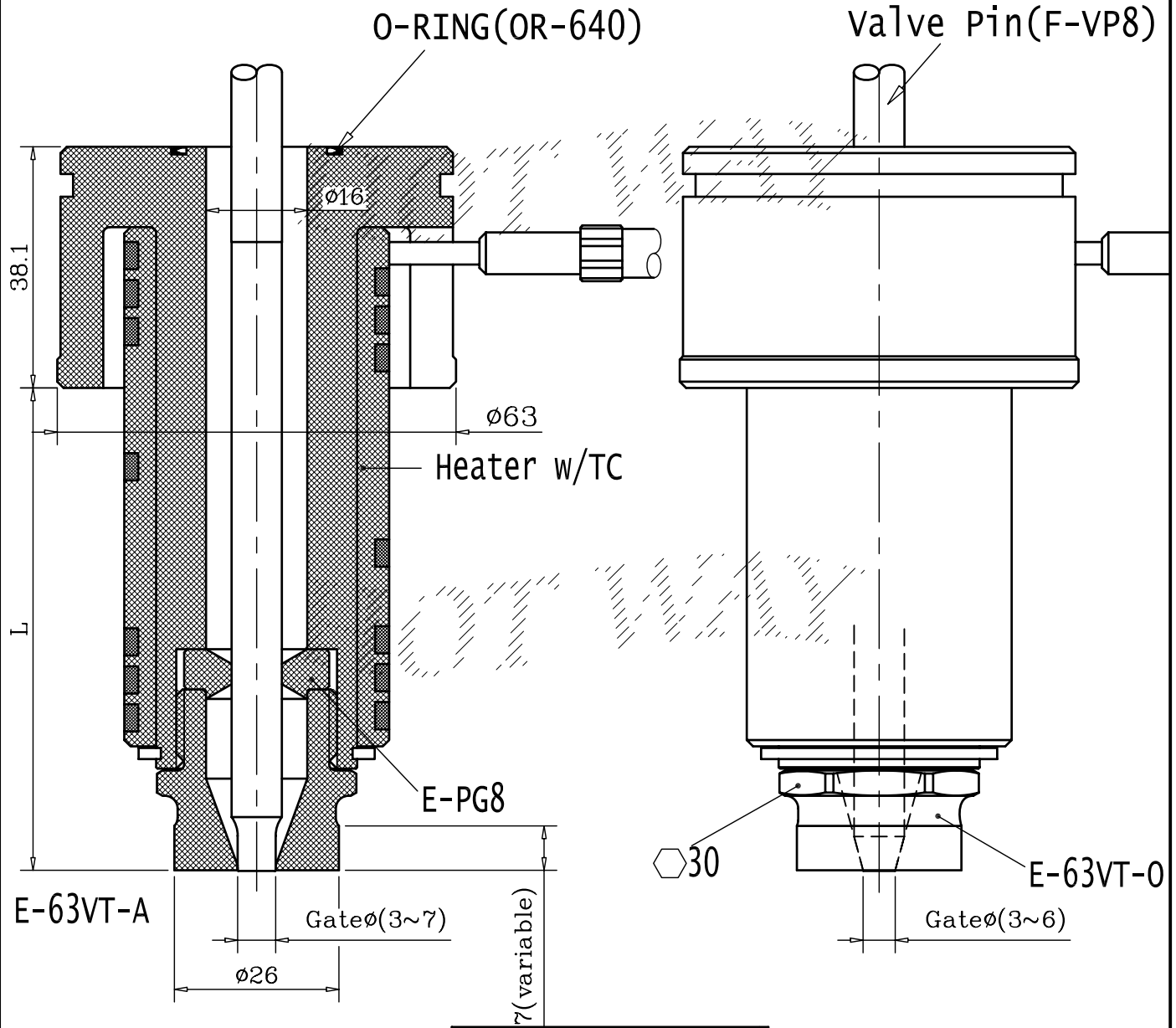


Shot weight (gm)	
High Flow	1500
Medium Flow	1000
Low Flow	750

Nozzle Part No	L(mm)	Heater Part No	Wattage
HTM-6325VL	63.5	CH-6325	500W
HTM-6335VL	88.9	CH-6335	700W
HTM-6345VL	114.3	CH-6345	800W
HTM-6355VL	139.7	CH-6355	900W
HTM-6365VL	165.1	CH-6365	900W
HTM-6385VL	215.9	CH-6385	1100W

SERIES 63 VT-TYPE

VALVE GATE

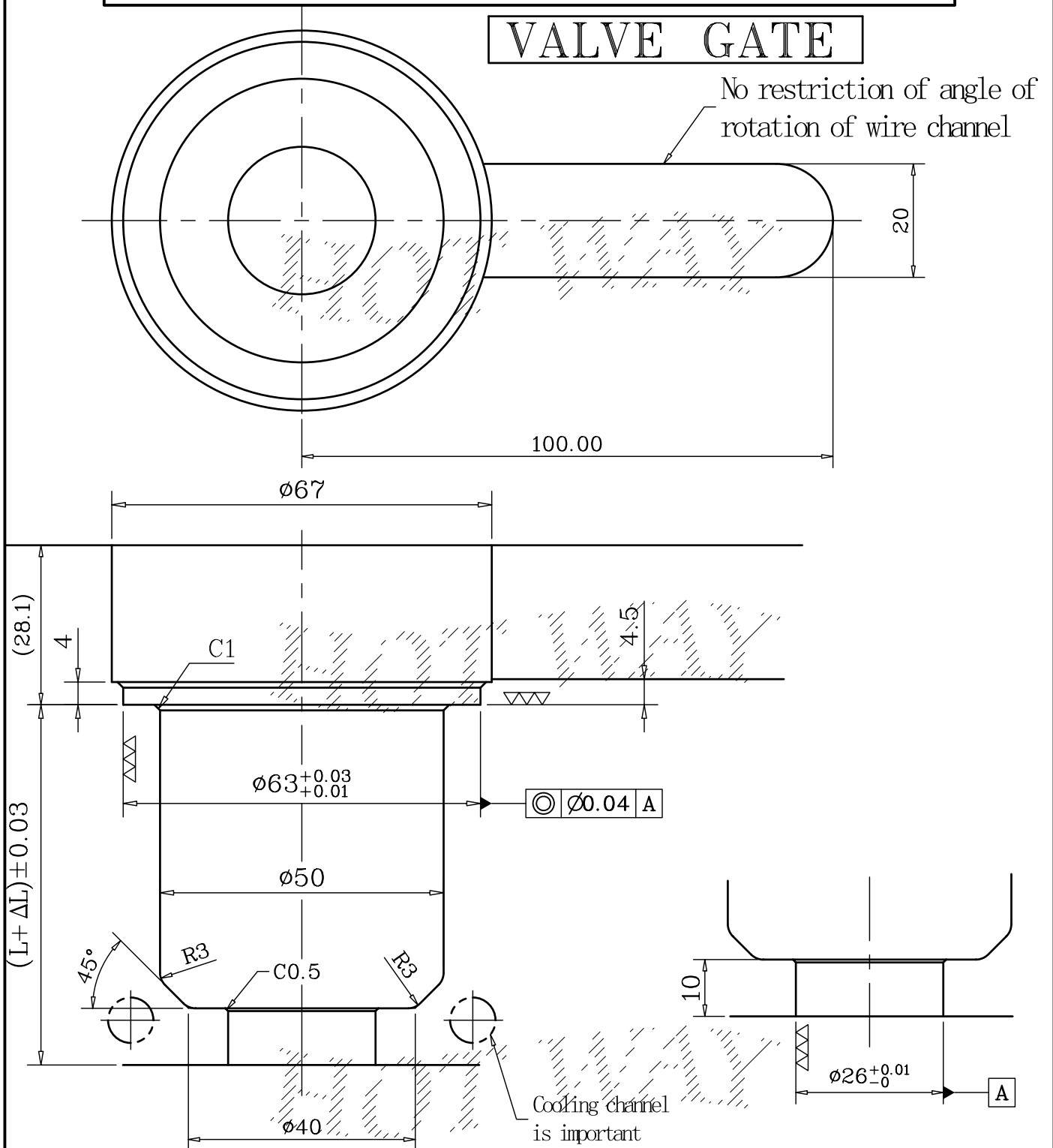


Shot weight (gm)	
High Flow	1500
Medium Flow	1000
Low Flow	750

Nozzle Part No	L(mm)	Heater Part No	Wattage
HTM-6325VT	63.5	CH-6325	500W
HTM-6335VT	88.9	CH-6335	700W
HTM-6345VT	114.3	CH-6345	800W
HTM-6355VT	139.7	CH-6355	900W
HTM-6365VT	165.1	CH-6365	900W
HTM-6385VT	215.9	CH-6385	1100W

SERIES 63 VT-TYPE

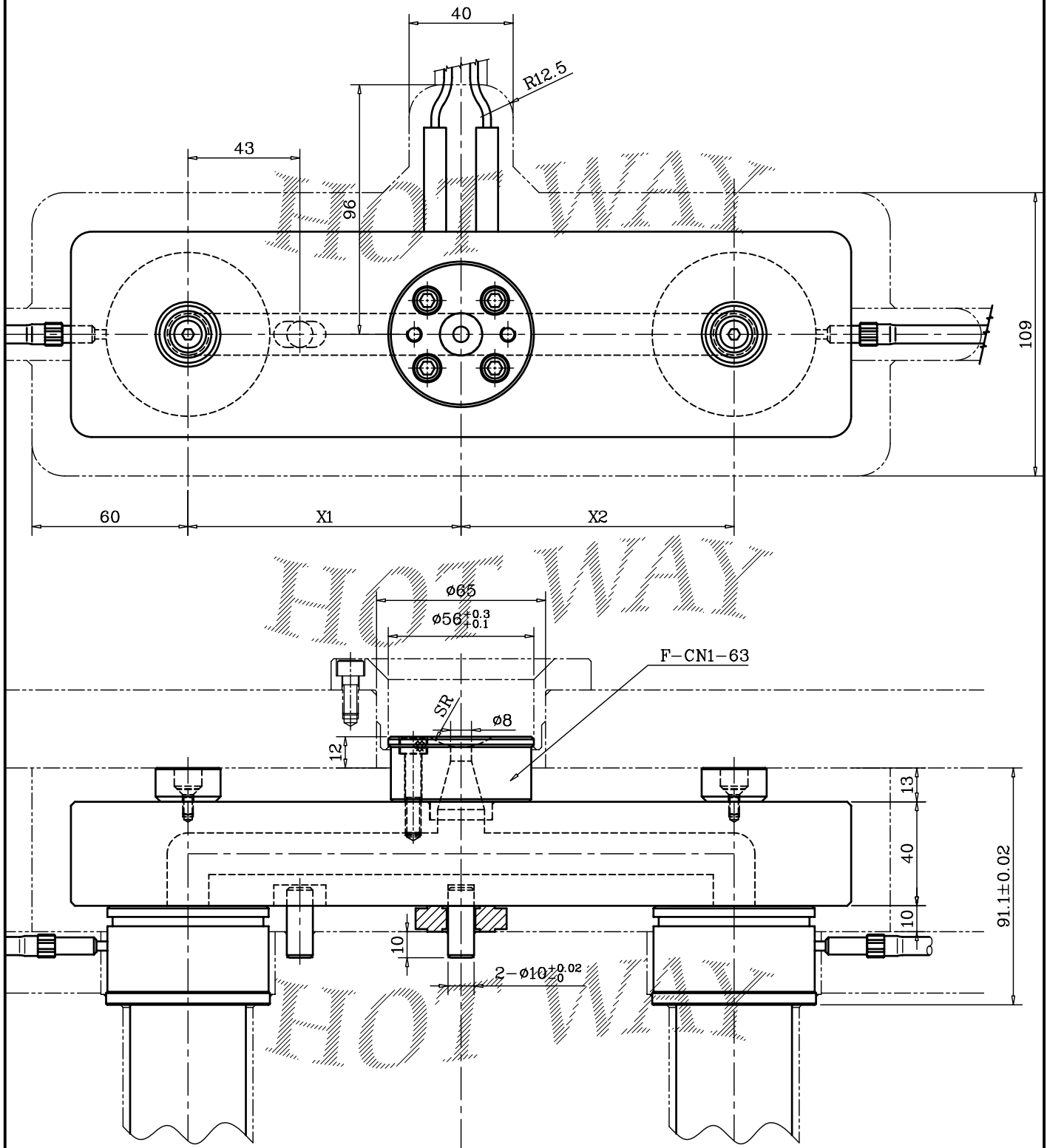
VALVE GATE



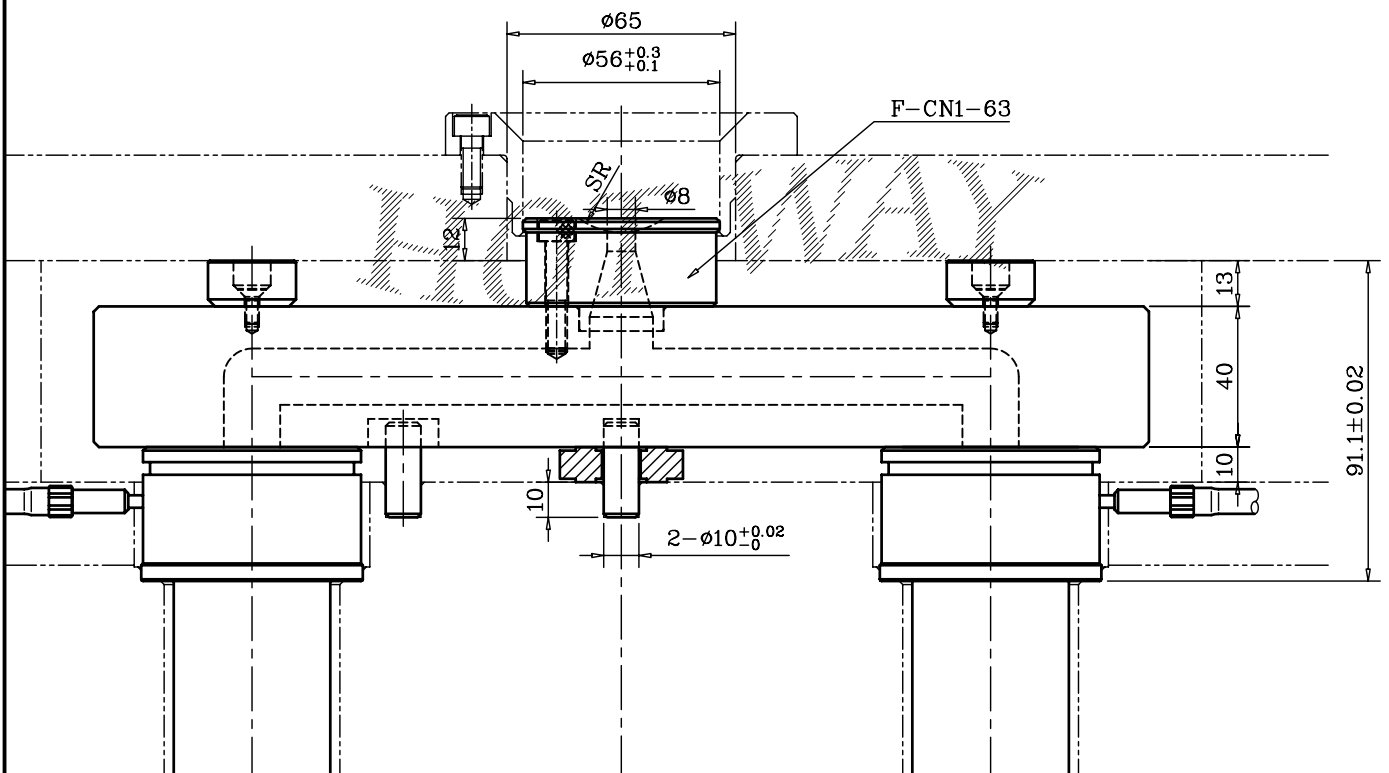
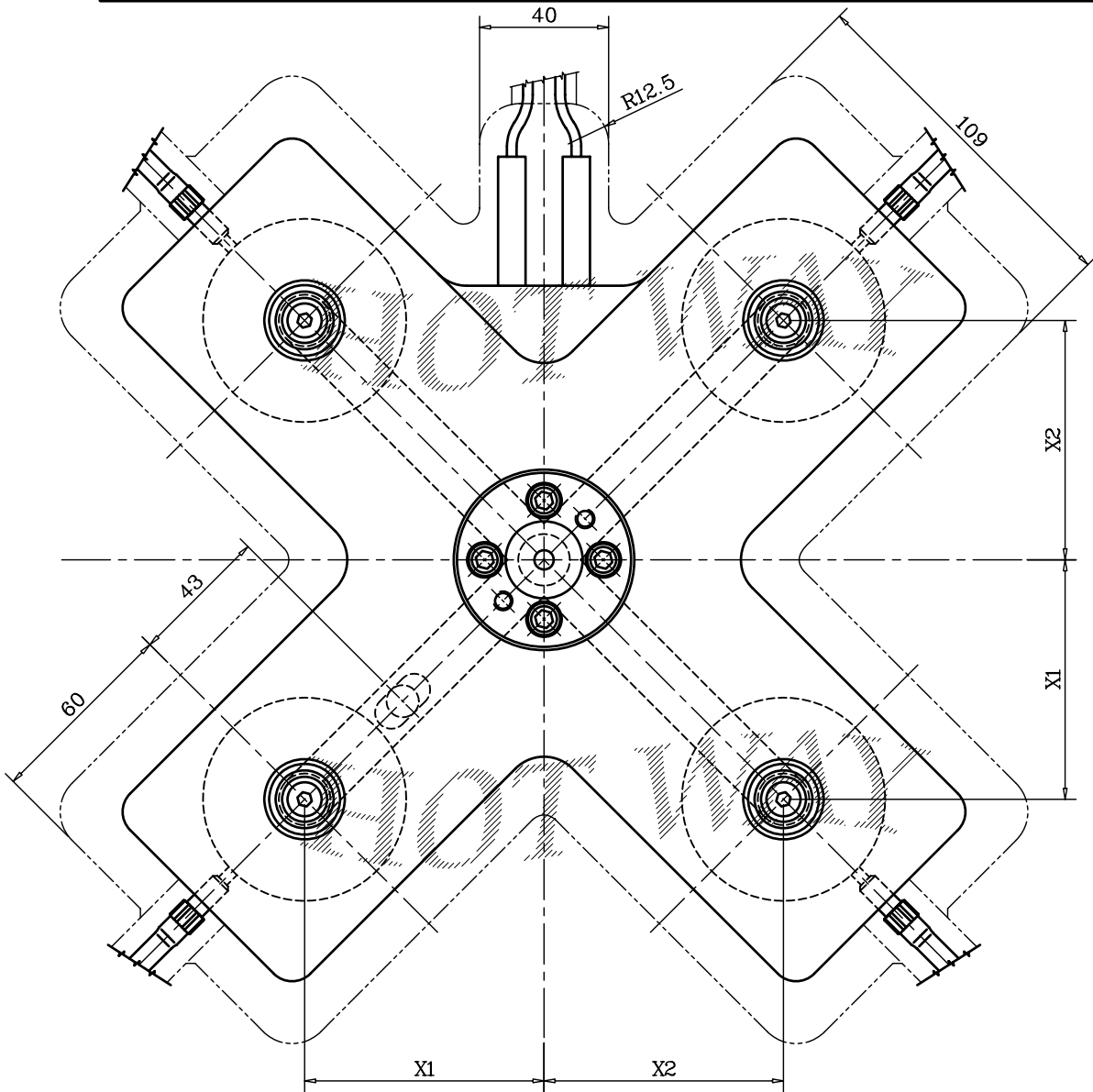
ΔL : Heat Expansion L

Nozzle Part No	L(mm)	L+ ΔL			
		150 °C	200 °C	250 °C	300 °C
HTM-6325VT	63.5	63.63	63.67	63.71	63.75
HTM-6335VT	88.9	89.08	89.13	89.19	89.25
HTM-6345VT	114.3	114.53	114.60	114.68	114.75
HTM-6355VT	139.7	139.98	140.07	140.16	140.25
HTM-6365VT	165.1	165.43	165.54	165.64	165.75
HTM-6385VT	215.9	216.33	216.47	216.61	216.75

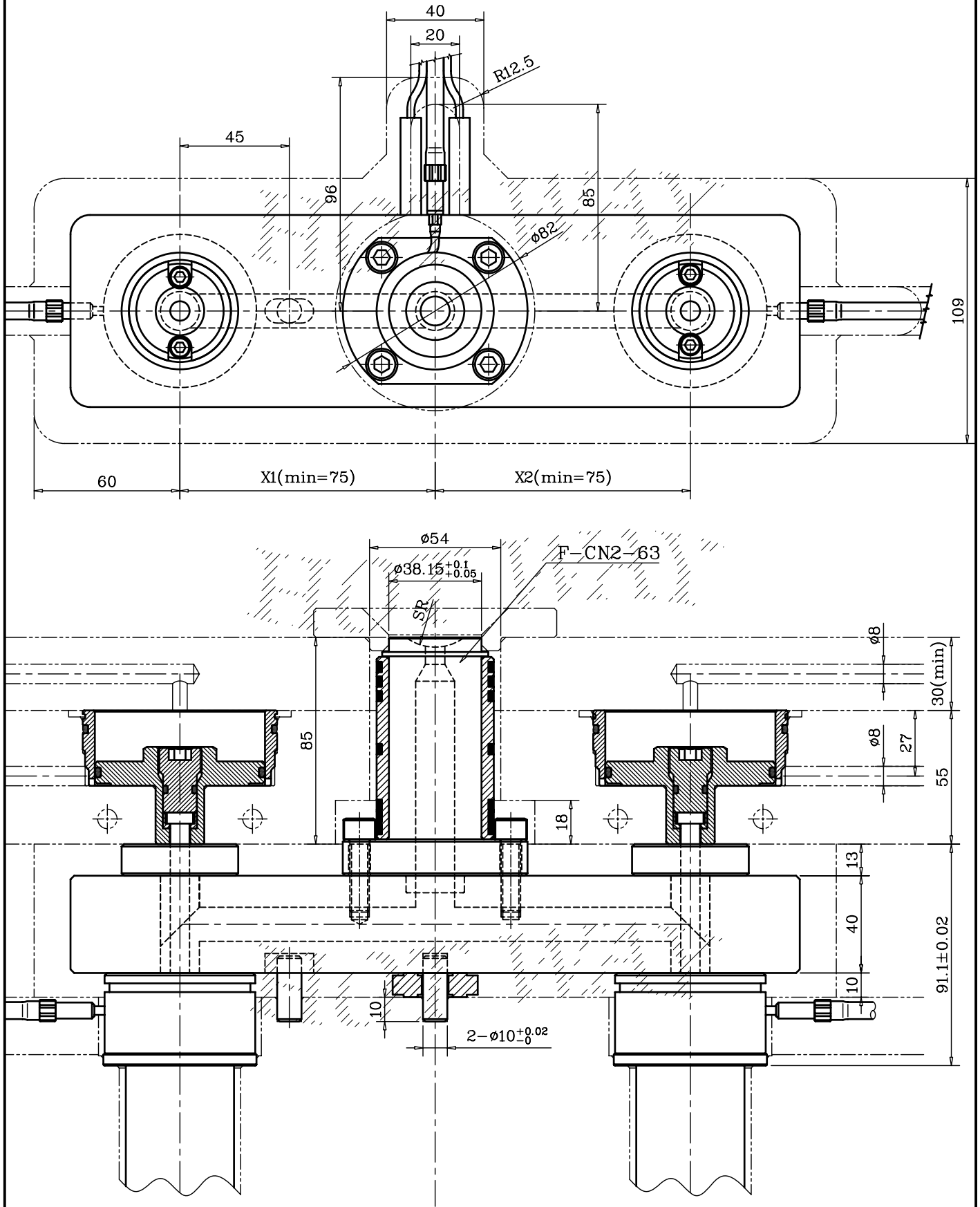
Series 63 Non Valve Manifold



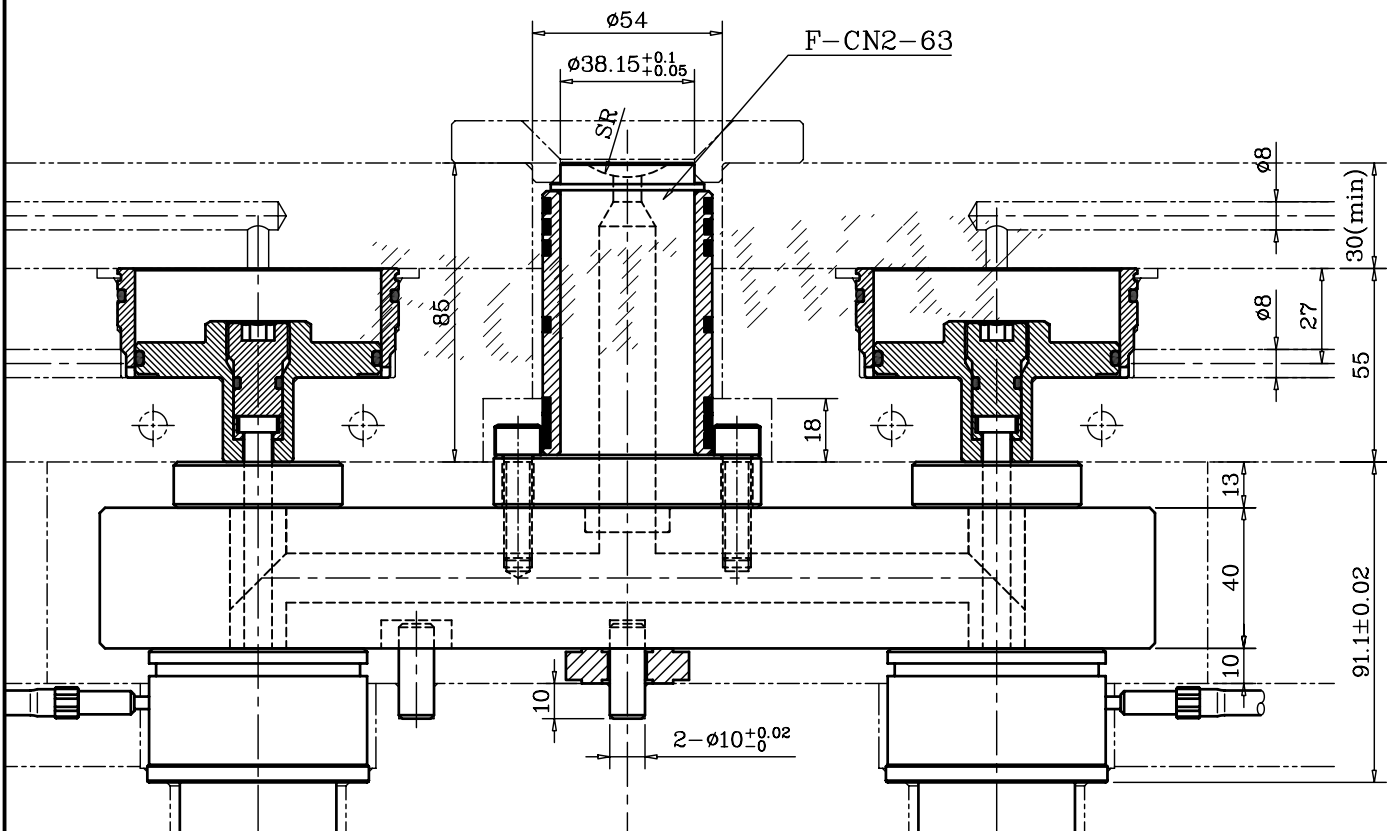
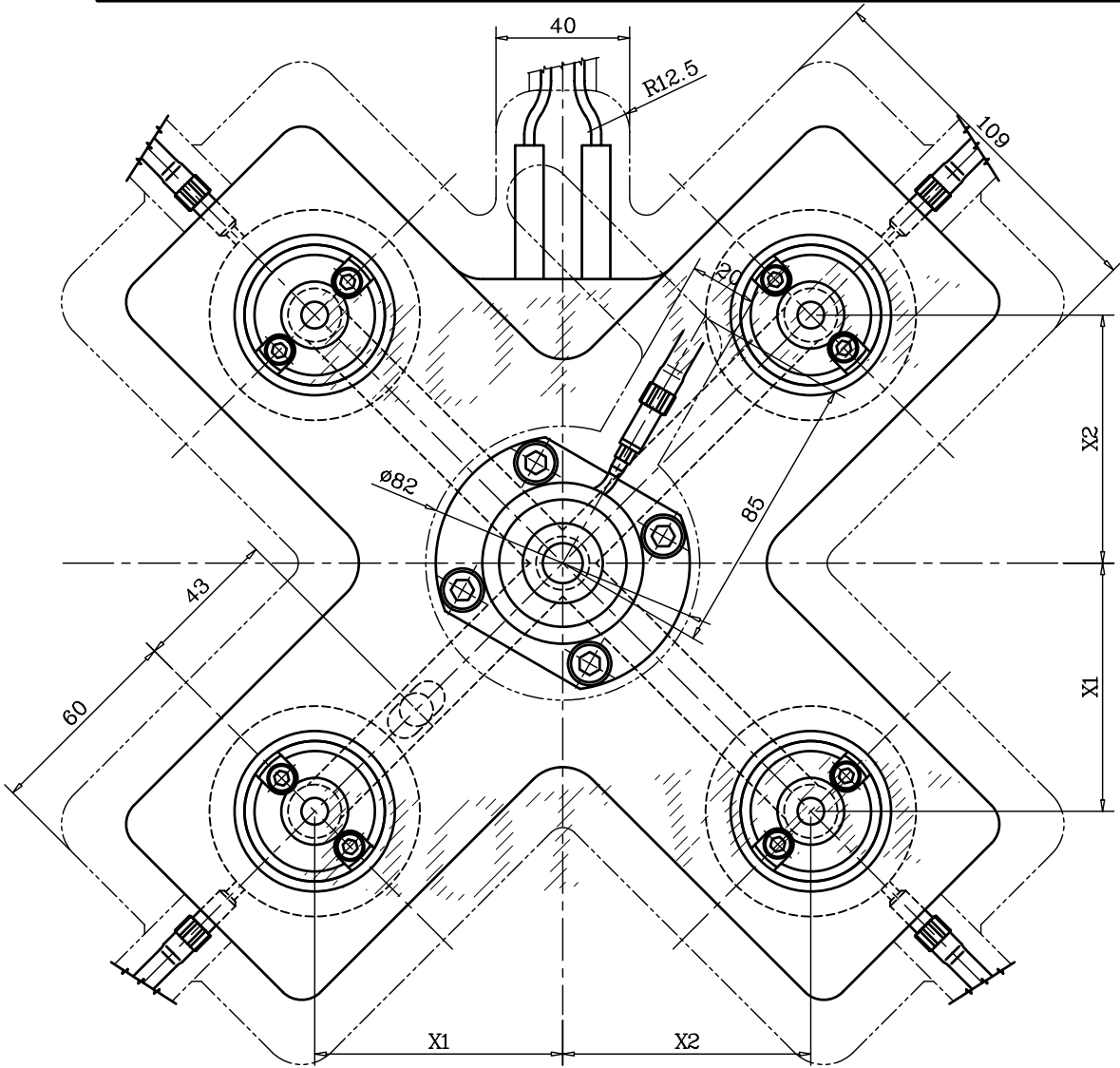
Series 63 Non Valve Manifold



Series 63 Valve Gate Manifold

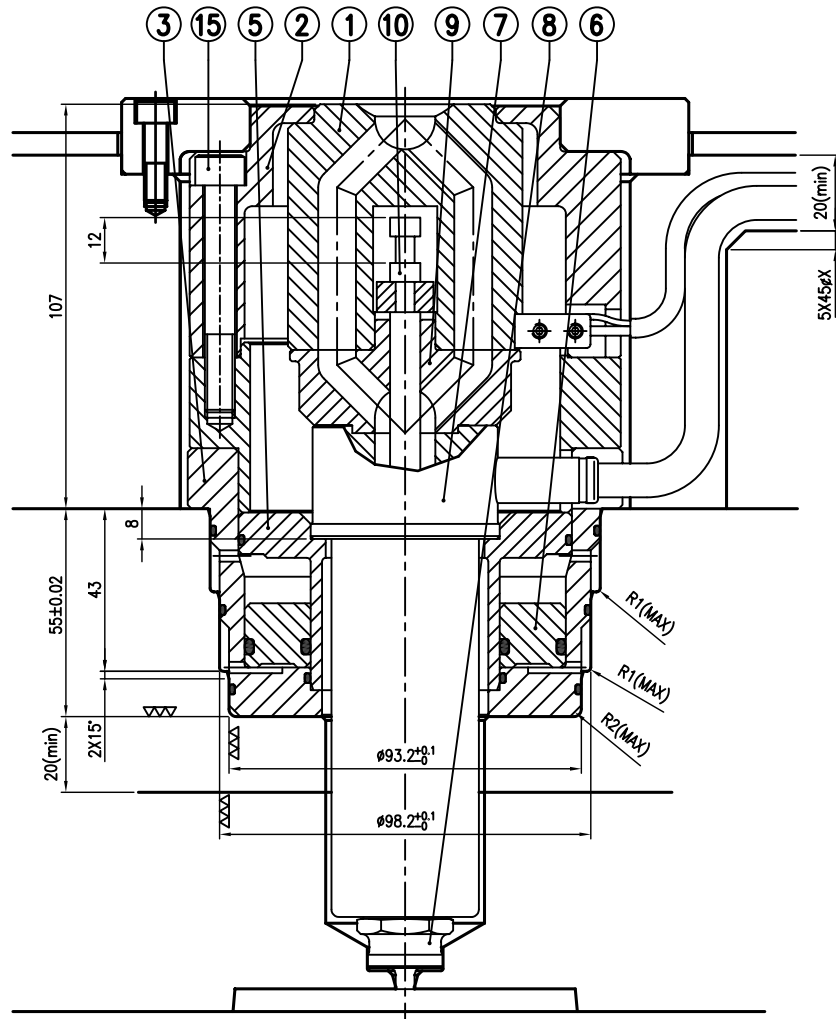
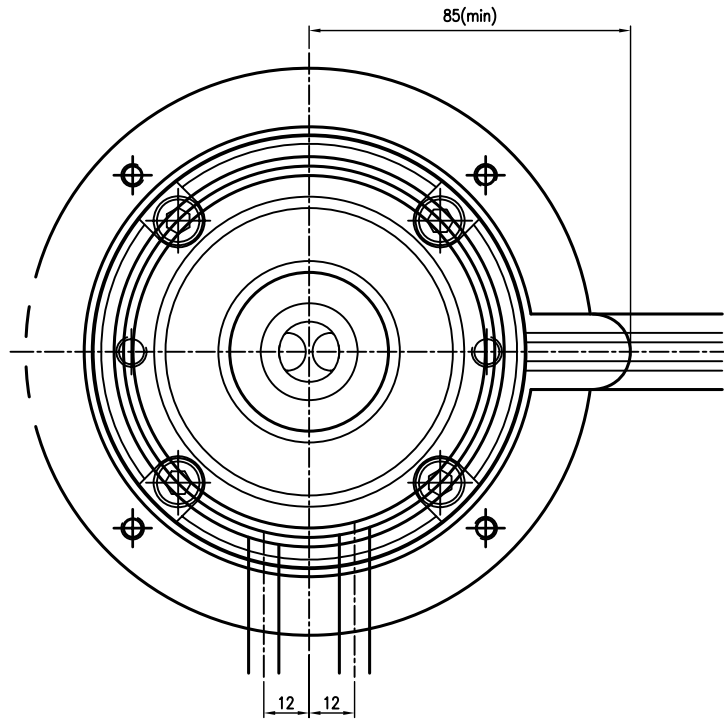
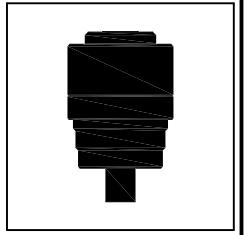


Series 63 Valve Gate Manifold



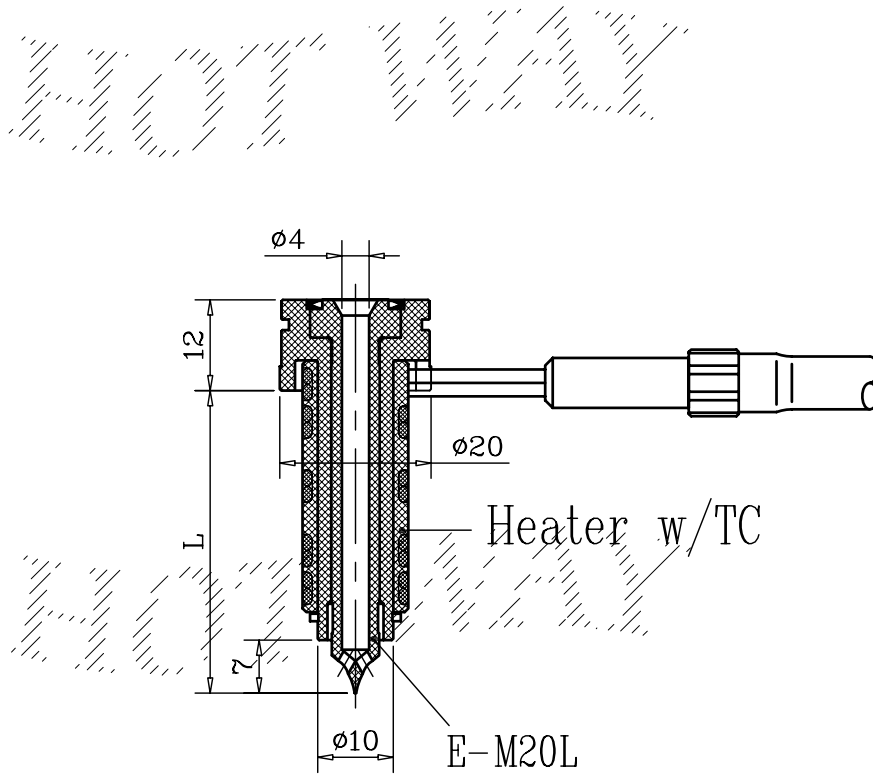
SV63

SINGLE VALVE



SERIES M20 L-TYPE

Manifold For Series 38
O Ring : OR-607

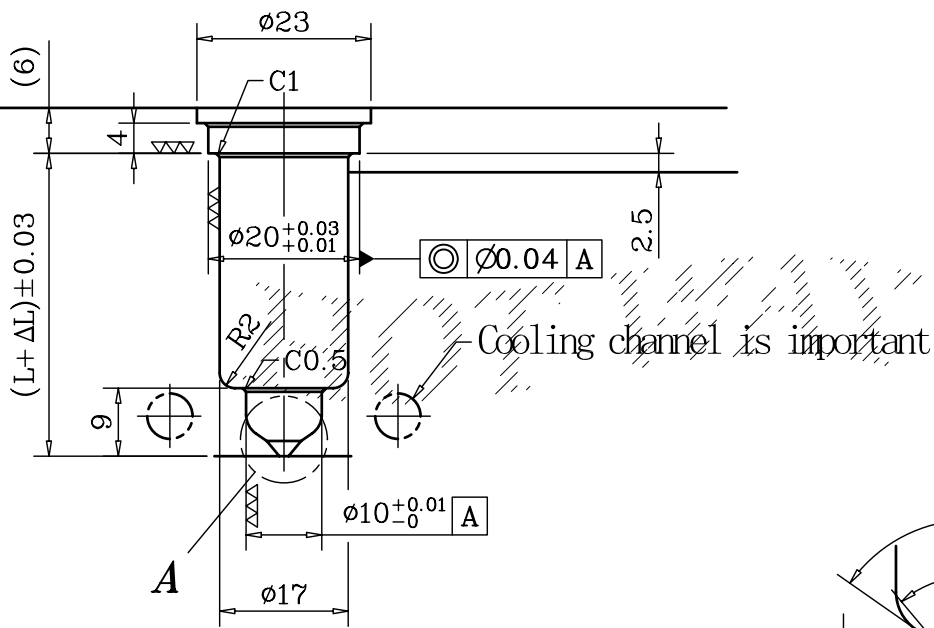
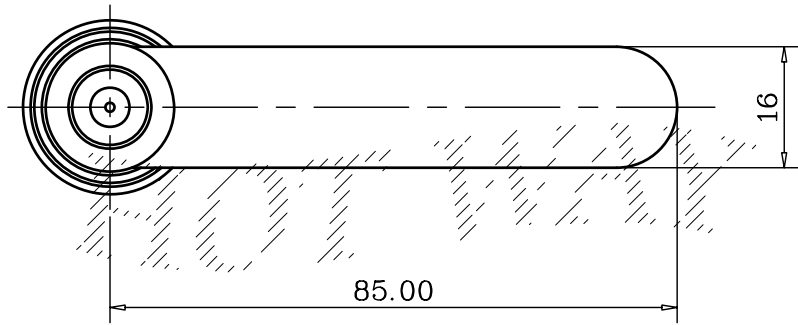


Shot weight (gm)	
High Flow	30
Medium Flow	15
Low Flow	5

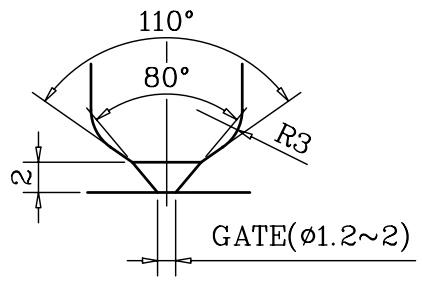
Nozzle Part No	L(mm)	Heater Part No	Wattage
EDM-MT2040L	40.0	CH-M2040	200W
EDM-MT2070L	70.0	CH-M2070	250W

EDM: Multi Nozzles

SERIES M20 L-TYPE



Cooling channel is important



DETAIL: A (2:1)

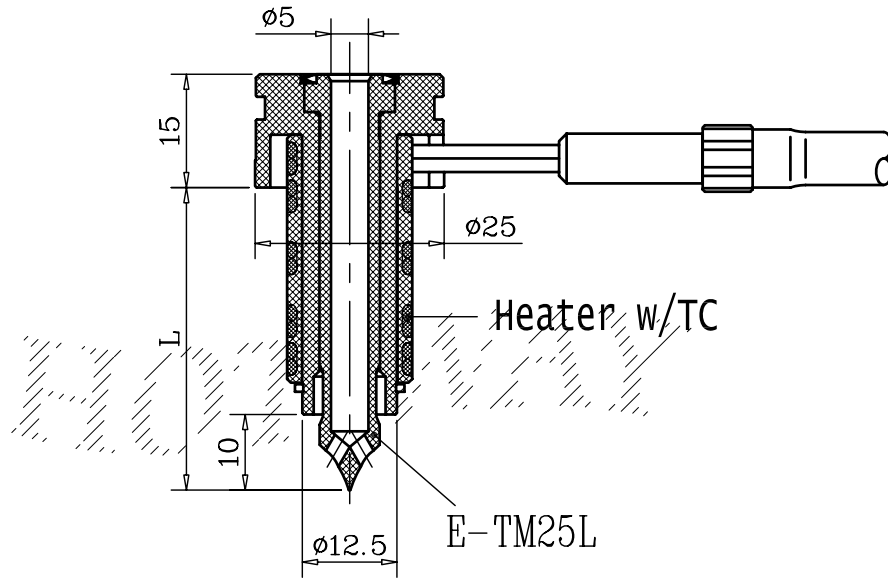
Nozzle Part No	L(mm)	L + ΔL			
		150 °C	200 °C	250 °C	300 °C
EDM-MT2040L	40.0	40.08	40.11	40.13	40.16
EDM-MT2070L	70.0	70.14	70.18	70.23	70.28

EDM: Multi Nozzles

ΔL : Heat Expansion L

SERIES M25 L-TYPE

Manifold For Series 38
O Ring : OR-607

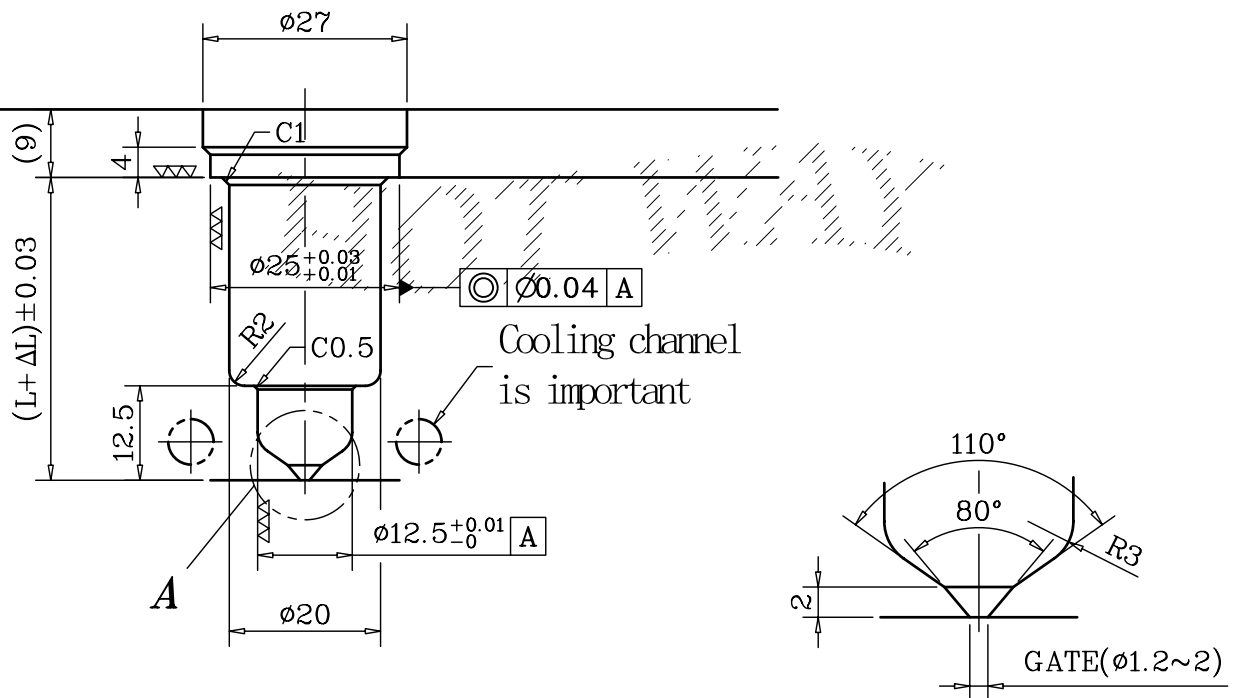
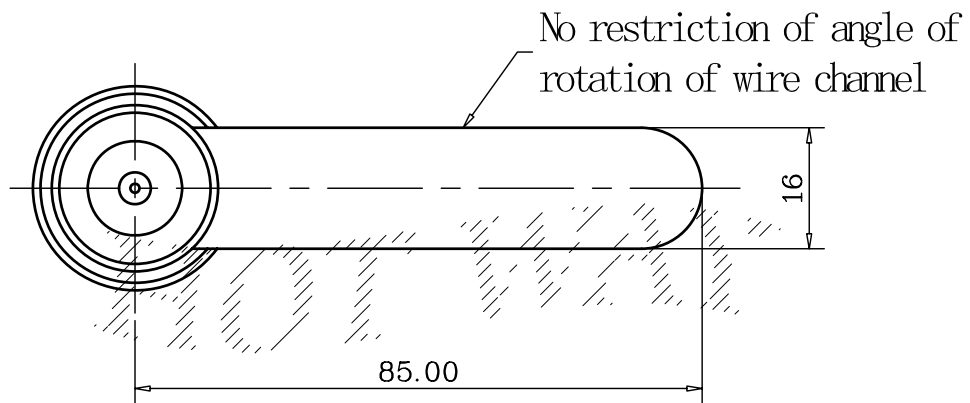


Shot weight (gm)	
High Flow	75
Medium Flow	45
Low Flow	15

Nozzle Part No	L(mm)	Heater Part No	Wattage
EDM-MT2540L	40.0	CH-M2540	200W
EDM-MT2570L	70.0	CH-M2570	250W
EDM-MT25100L	100.0	CH-M25100	300W

EDM: Multi Nozzles

SERIES M25 L-TYPE



DETAIL: A (2:1)

Nozzle Part No	L(mm)	L+ ΔL			
		150 °C	200 °C	250 °C	300 °C
EDM-MT2540L	40.0	40.08	40.11	40.13	40.16
EDM-MT2570L	70.0	70.14	70.18	70.23	70.28
EDM-MT25100L	100.0	100.20	100.26	100.33	100.40

EDM: Multi Nozzles

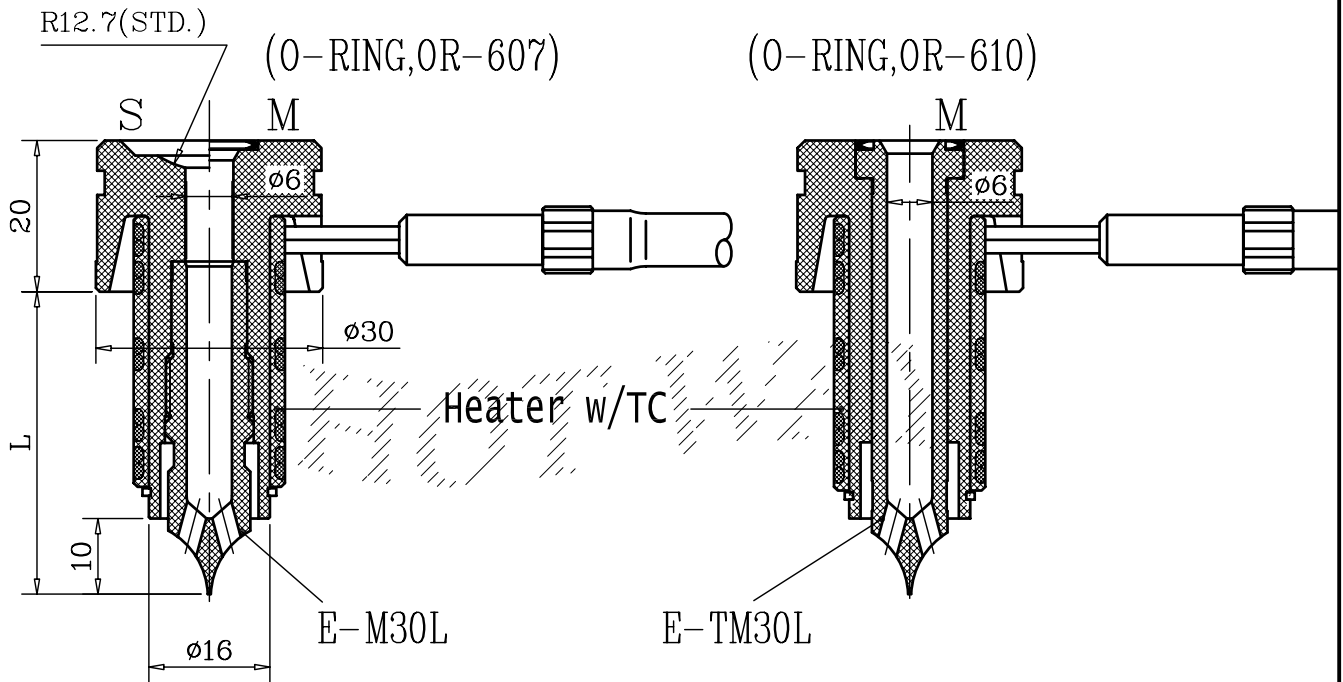
ΔL: Heat Expansion L

SERIES M30 L-TYPE

S Single
M Manifold (For Series 38)

ED_S^M-M30XXXL-K

ED_S^M-MT30XXXL-K

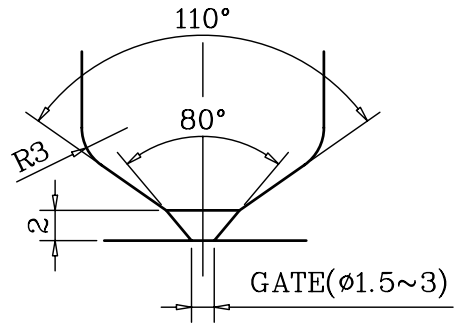
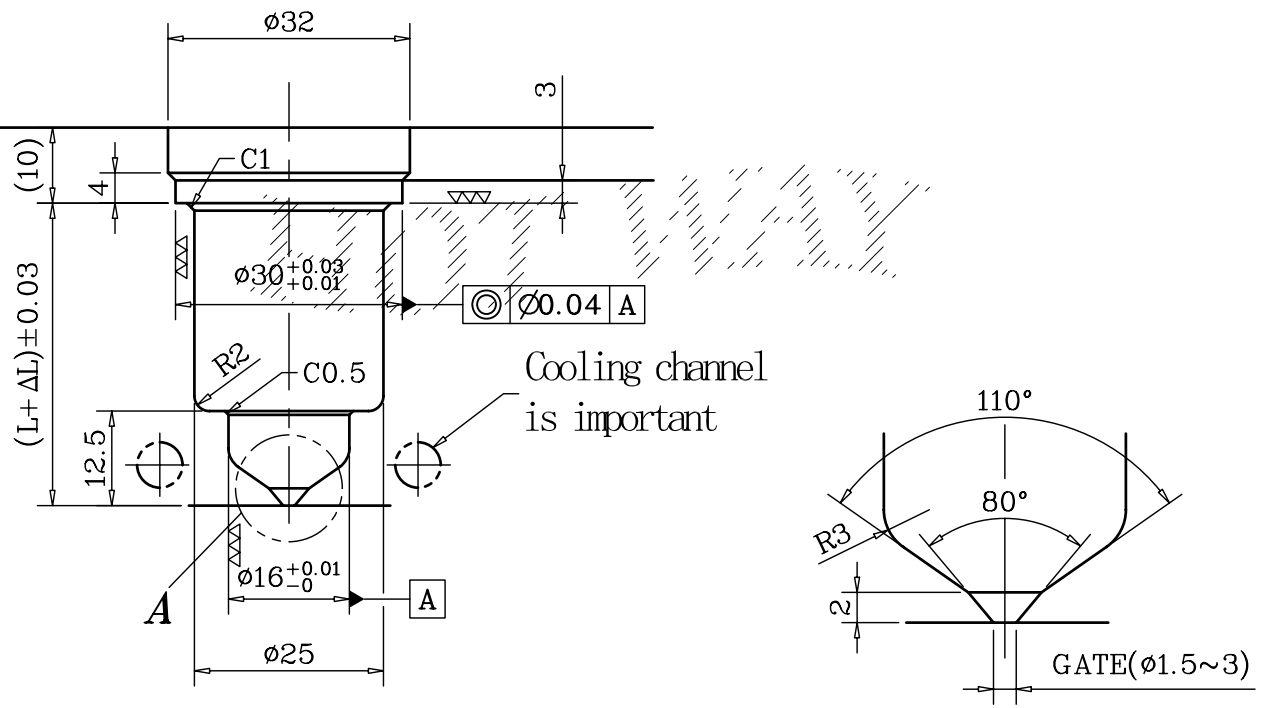
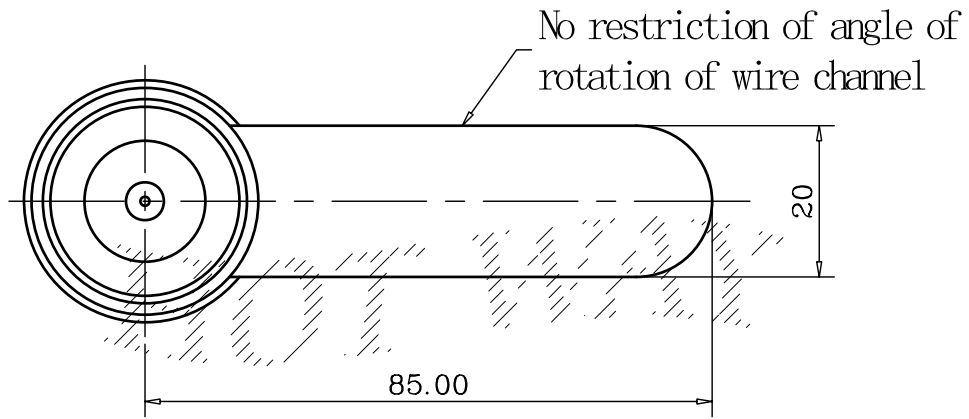


Shot weight (gm)	
High Flow	100
Medium Flow	75
Low Flow	45

Nozzle Part No	L(mm)	Heater Part No	Wattage
ED _S ^M -M(T)3040L	40.0	CH-M3040	300W
ED _S ^M -M(T)3070L	70.0	CH-M3070	350W
ED _S ^M -M(T)30100L	100.0	CH-M30100	450W

EDS: Single Nozzle EDM: Multi Nozzles

SERIES M30 L-TYPE



Nozzle Part No	L(mm)	L+ ΔL			
		150 °C	200 °C	250 °C	300 °C
ED _S ^M -M3040L	40.0	40.08	40.11	40.13	40.16
ED _S ^M -M3070L	70.0	70.14	70.18	70.23	70.28
ED _S ^M -M30100L	100.0	100.20	100.26	100.33	100.40

EDS: Single Nozzle EDM: Multi Nozzles

ΔL: Heat Expansion L

SERIES M40 L-TYPE

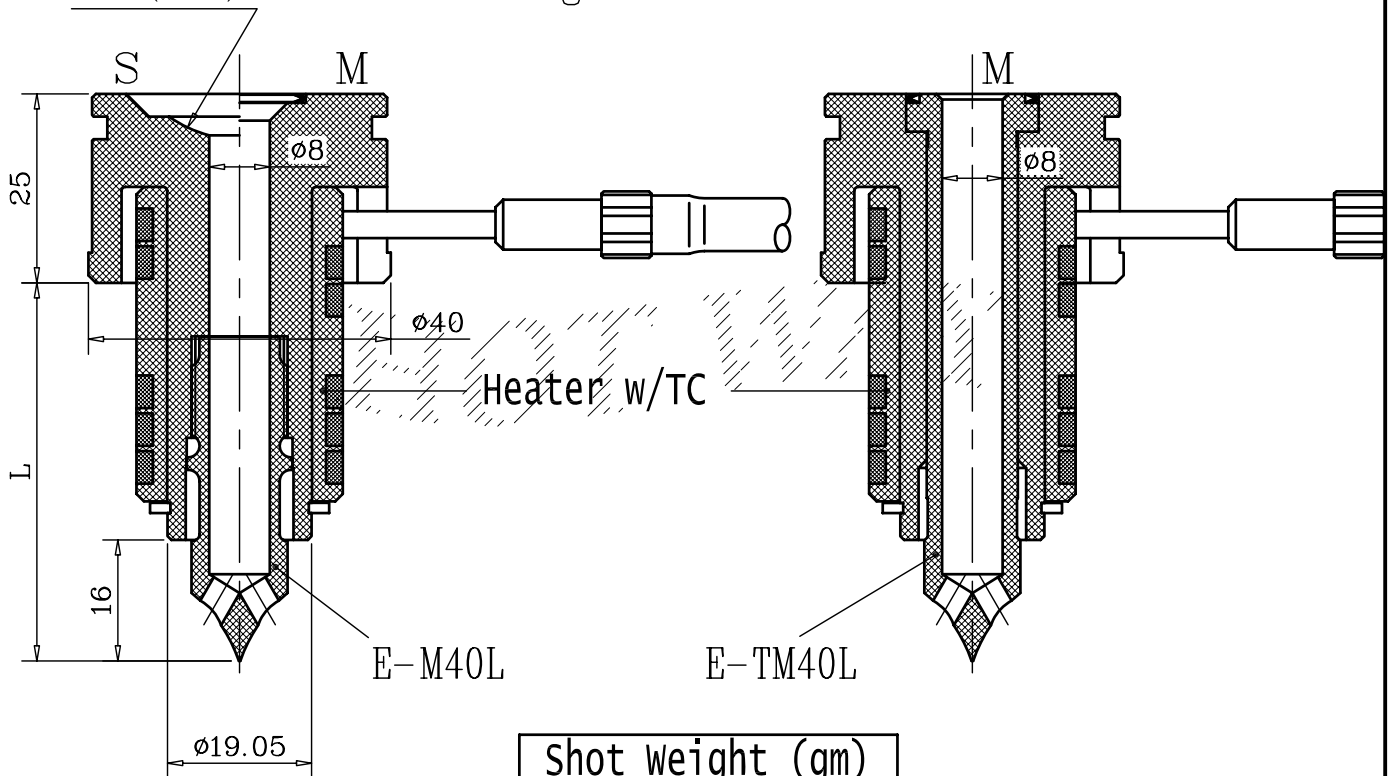
S Single
M Manifold (For Series 50)

ED_S^M-M40XXXL-K

ED_S^M-MT40XXXL-K

R16.0(STD.)

O Ring : OR-610

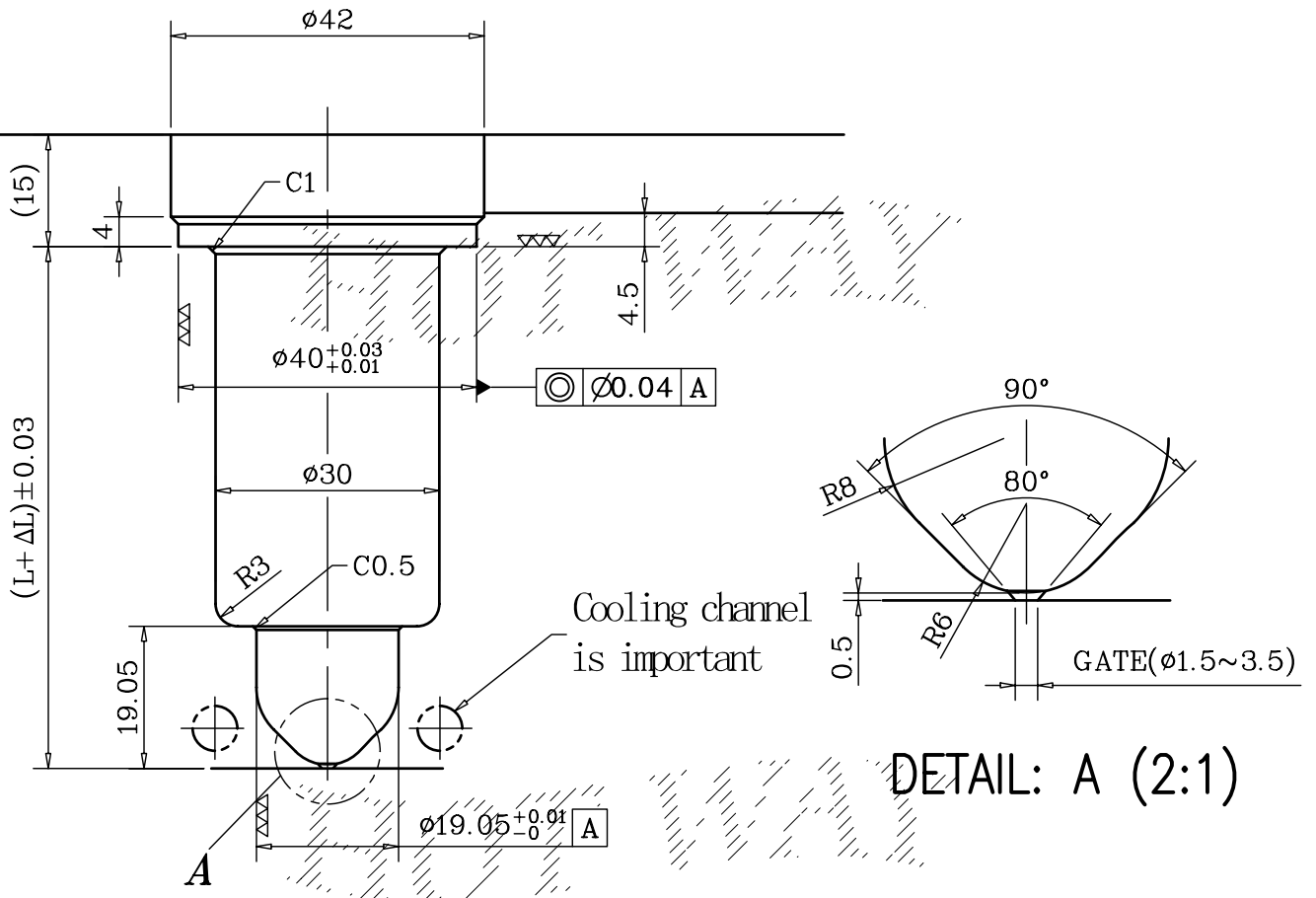
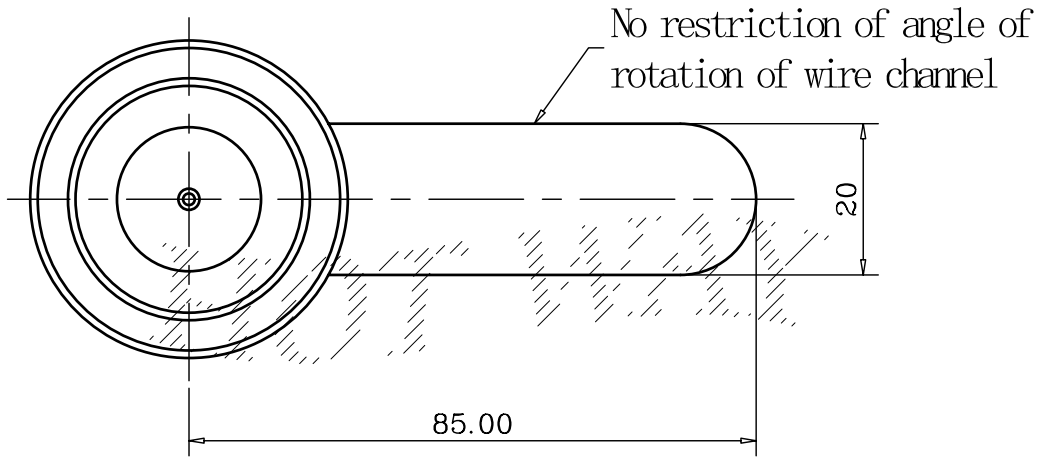


Shot weight (gm)	
High Flow	200
Medium Flow	125
Low Flow	75

Nozzle Part No	L(mm)	Heater Part No	Wattage
ED _S ^M -M(T)4040L	40.0	CH-M4040	350W
ED _S ^M -M(T)4070L	70.0	CH-M4070	450W
ED _S ^M -M(T)40100L	100.0	CH-M40100	450W
ED _S ^M -M(T)40130L	130.0	CH-M40130	500W

EDS: Single Nozzle EDM: Multi Nozzles

SERIES M40 L-TYPE



Nozzle Part No	L(mm)	L + ΔL			
		150 °C	200 °C	250 °C	300 °C
ED _S ^M -M4040L	40.0	40.08	40.11	40.13	40.16
ED _S ^M -M4070L	70.0	70.14	70.18	70.23	70.28
ED _S ^M -M40100L	100.0	100.20	100.26	100.33	100.40
ED _S ^M -M40130L	130.0	130.26	130.34	130.43	130.51

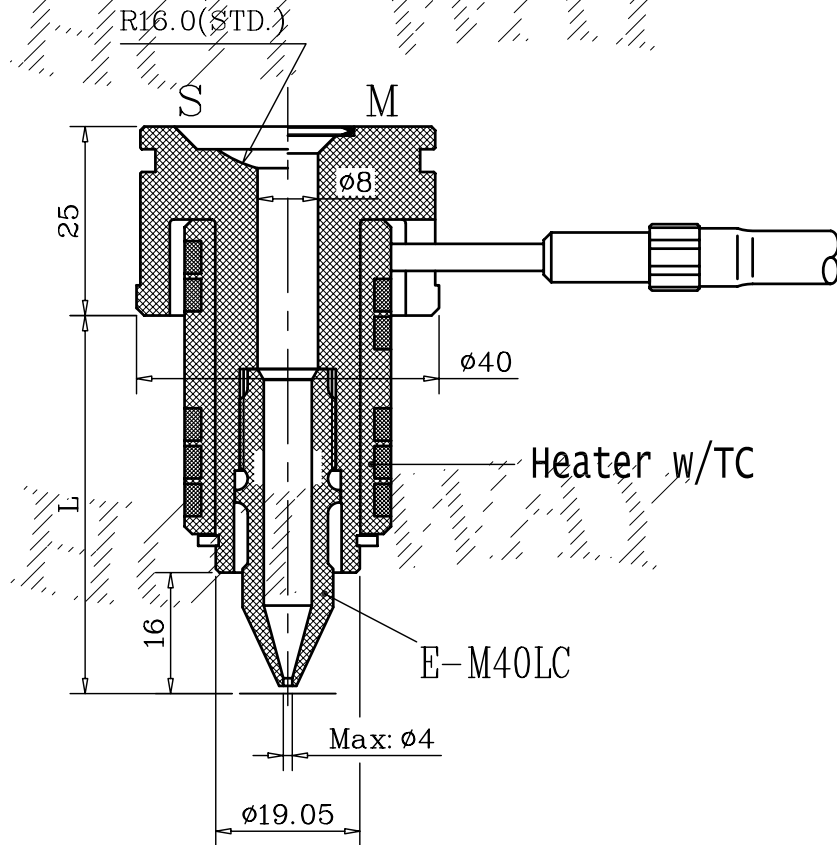
EDS: Single Nozzle EDM: Multi Nozzles

ΔL: Heat Expansion L

SERIES M40 LC-TYPE

S Single
M Manifold (For Series 50)

O Ring : OR-610

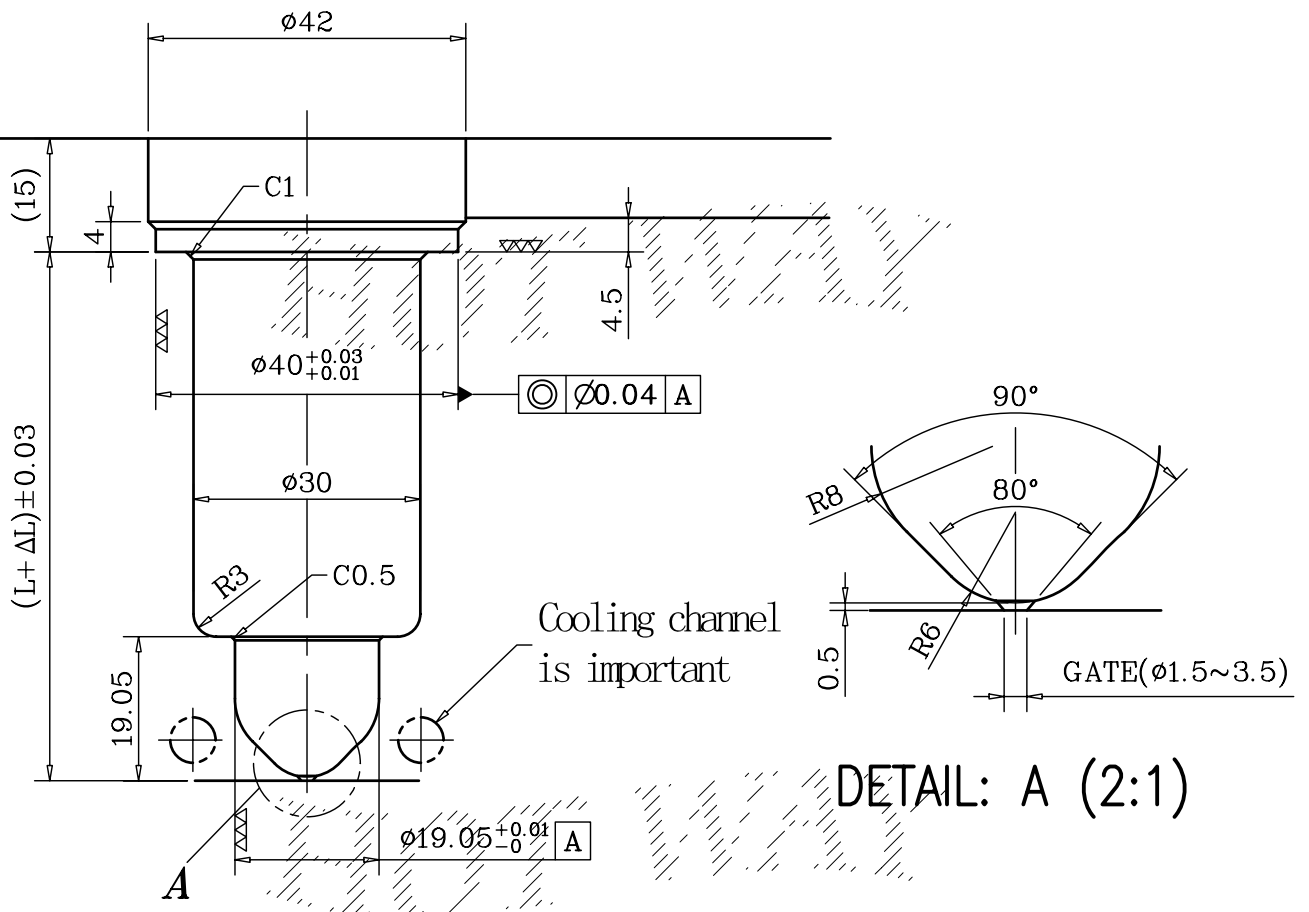
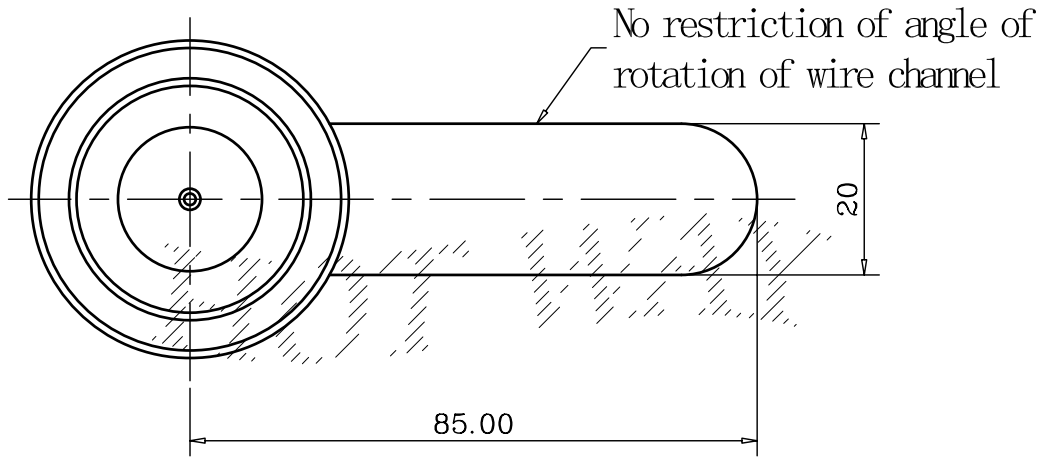


Shot weight (gm)	
High Flow	500
Medium Flow	375
Low Flow	250

Nozzle Part No	L(mm)	Heater Part No	Wattage
ED _S ^M -M4040LC	40.0	CH-M4040	350W
ED _S ^M -M4070LC	70.0	CH-M4070	450W
ED _S ^M -M40100LC	100.0	CH-M40100	450W
ED _S ^M -M40130LC	130.0	CH-M40130	500W

EDS: Single Nozzle EDM: Multi Nozzles

SERIES M40 LC-TYPE



Nozzle Part No	L(mm)	L + ΔL			
		150 °C	200 °C	250 °C	300 °C
ED _S ^M -M4040LC	40.0	40.08	40.11	40.13	40.16
ED _S ^M -M4070LC	70.0	70.14	70.18	70.23	70.28
ED _S ^M -M40100LC	100.0	100.20	100.26	100.33	100.40
ED _S ^M -M40130LC	130.0	130.26	130.34	130.43	130.51

EDS: Single Nozzle EDM: Multi Nozzles

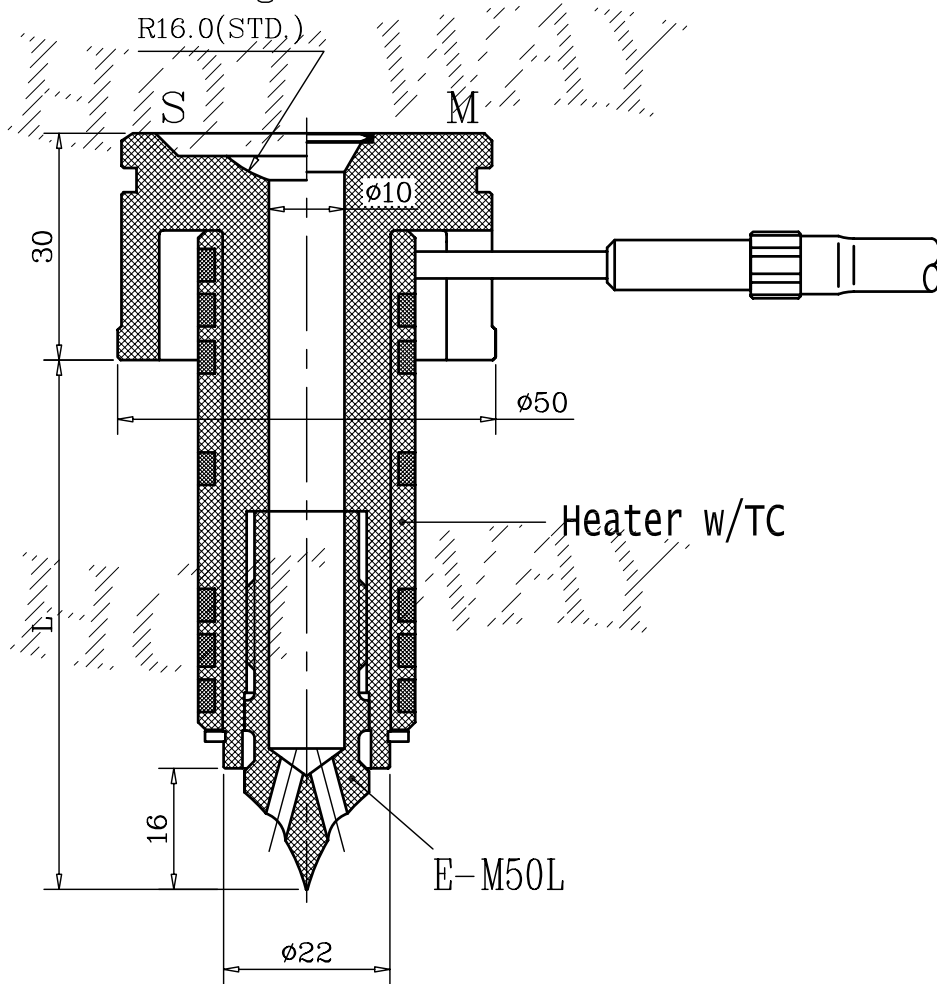
ΔL: Heat Expansion L

SERIES M50 L-TYPE

S Single
M Manifold (For Series 50)

O Ring : OR-610

R16.0(STD.)

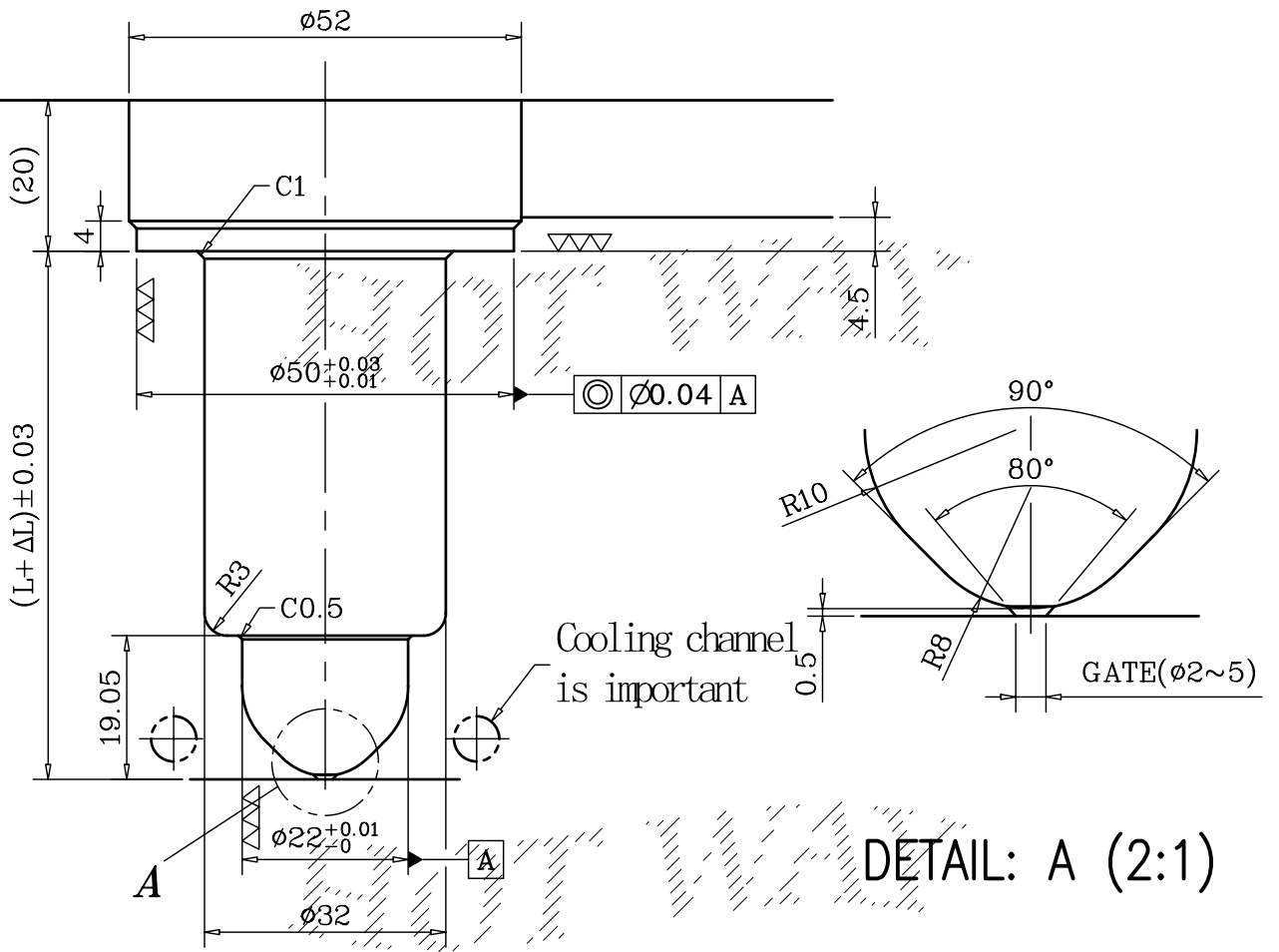
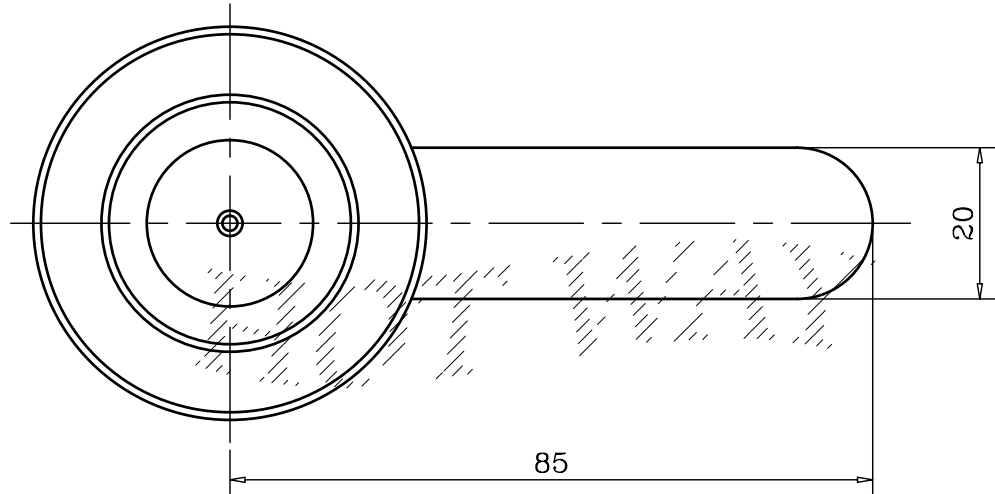


Shot weight (gm)	
High Flow	500
Medium Flow	375
Low Flow	250

Nozzle Part No	L(mm)	Heater Part No	Wattage
ED _S ^M -M5040L	40.0	CH-M5040	350W
ED _S ^M -M5070L	70.0	CH-M5070	450W
ED _S ^M -M50100L	100.0	CH-M50100	450W
ED _S ^M -M50130L	130.0	CH-M50130	500W

EDS: Single Nozzle EDM: Multi Nozzles

SERIES M50 L-TYPE



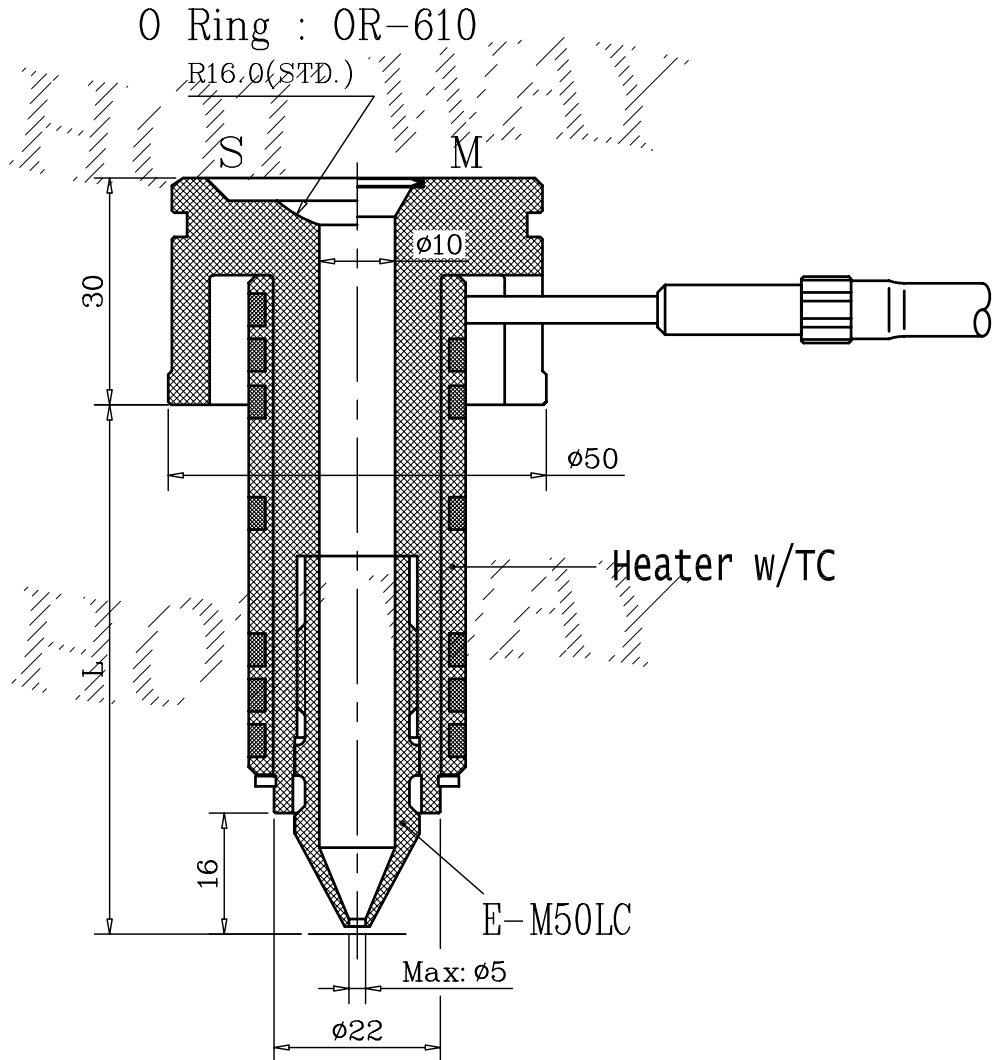
Nozzle Part No	L(mm)	L+ΔL			
		150 °C	200 °C	250 °C	300 °C
ED _S ^M -M5040L	40.0	40.08	40.11	40.13	40.16
ED _S ^M -M5070L	70.0	70.14	70.18	70.23	70.28
ED _S ^M -M50100L	100.0	100.20	100.26	100.33	100.40
ED _S ^M -M50130L	130.0	130.26	130.34	130.43	130.51

EDS: Single Nozzle EDM: Multi Nozzles

ΔL: Heat Expansion L

SERIES M50 LC-TYPE

S Single
M Manifold (For Series 50)

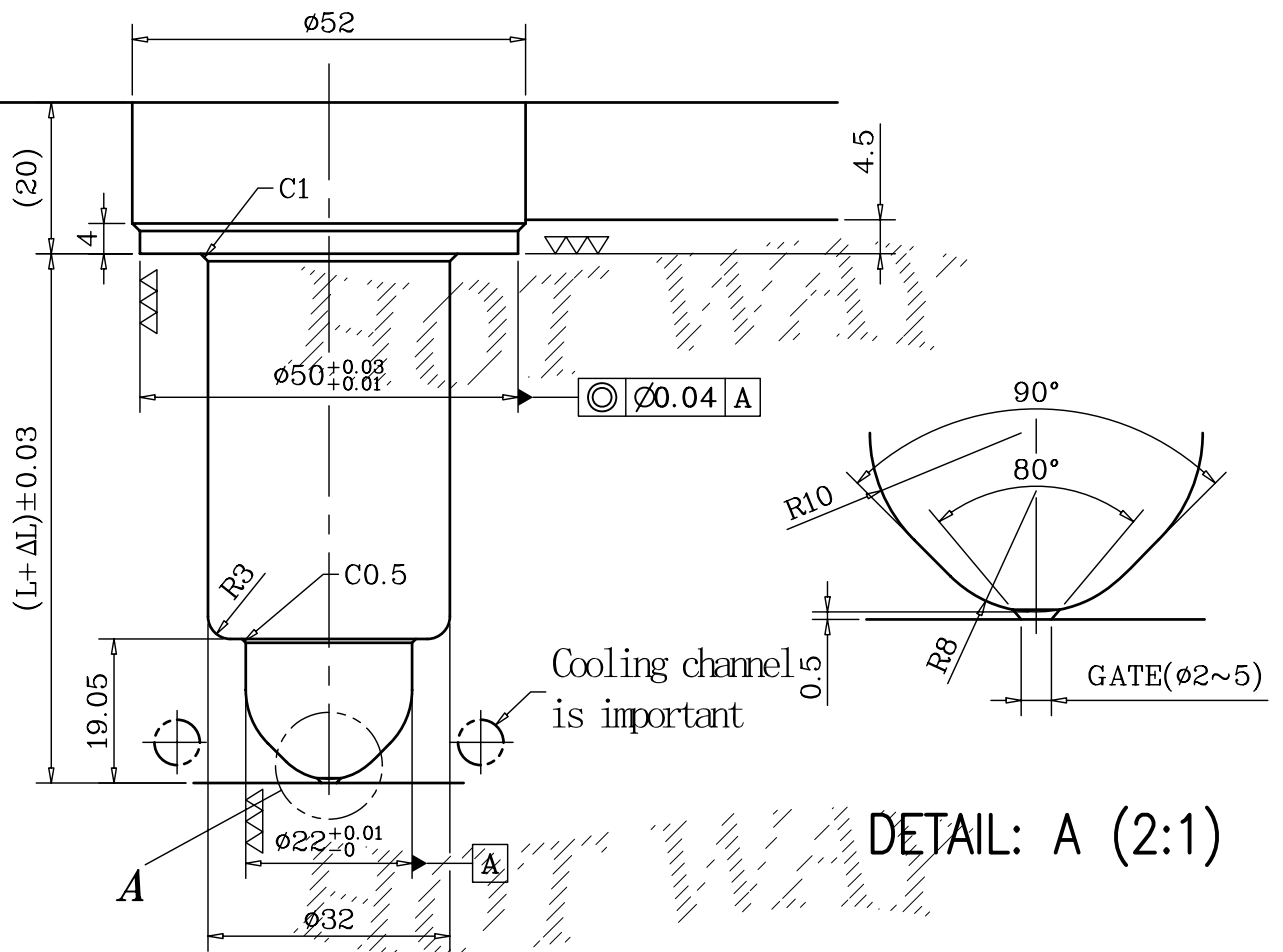
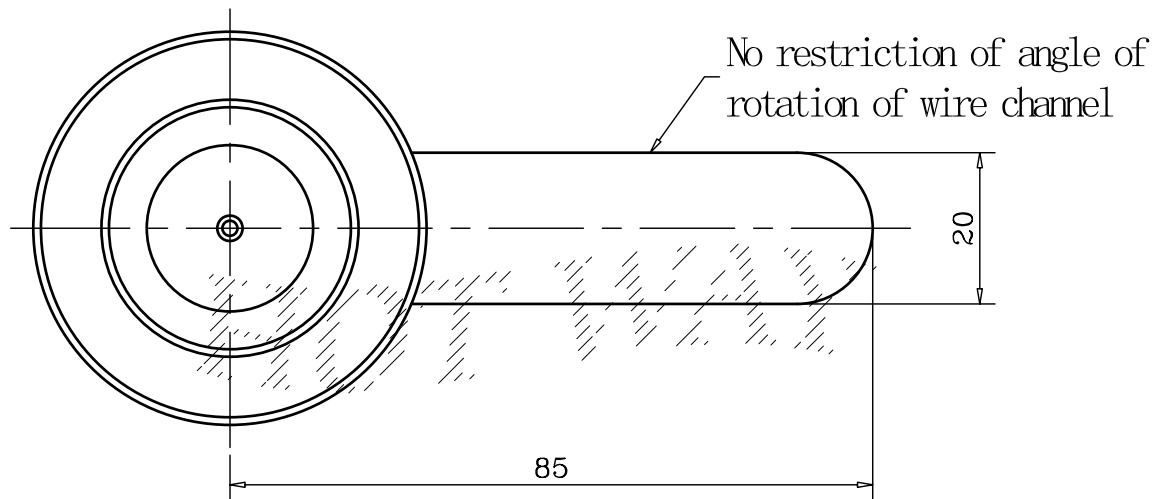


Shot weight (gm)	
High Flow	1000
Medium Flow	750
Low Flow	500

Nozzle Part No	L (mm)	Heater Part No	Wattage
ED _S ^M -M5040LC	40.0	CH-M5040	350W
ED _S ^M -M5070LC	70.0	CH-M5070	450W
ED _S ^M -M50100LC	100.0	CH-M50100	450W
ED _S ^M -M50130LC	130.0	CH-M50130	500W

EDS: Single Nozzle EDM: Multi Nozzles

SERIES M50 LC-TYPE

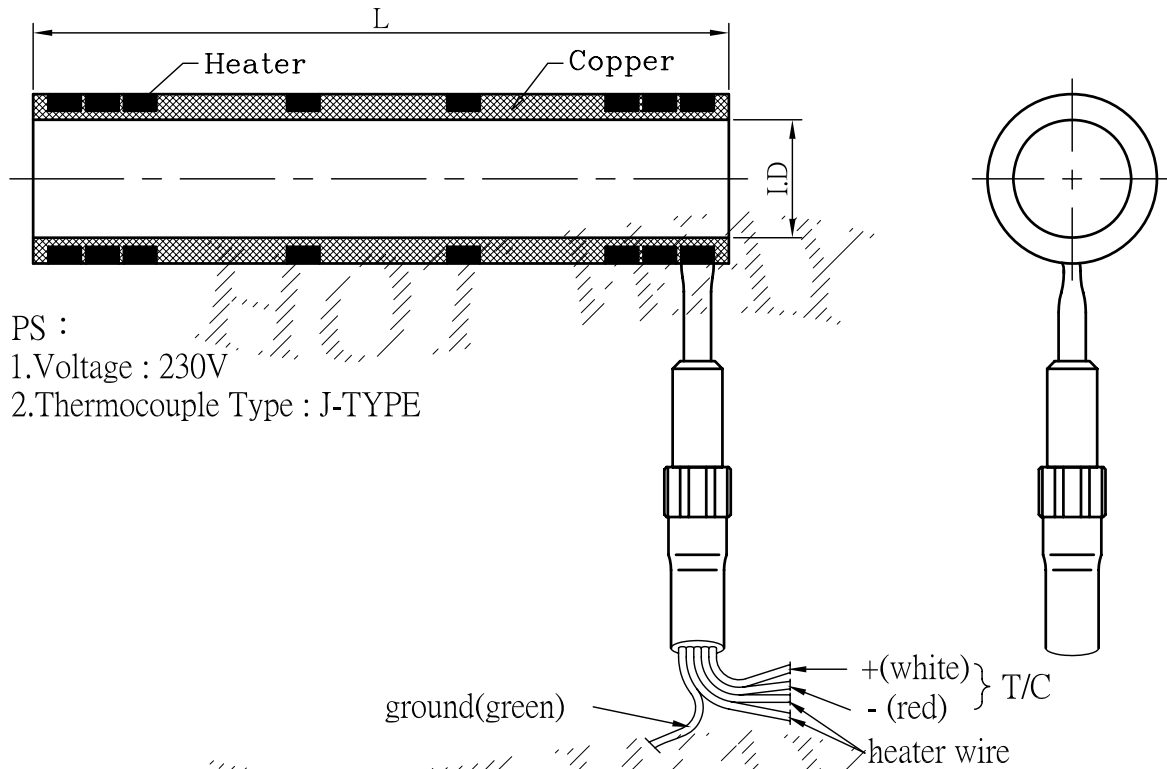


Nozzle Part No	L (mm)	L+ΔL			
		150 °C	200 °C	250 °C	300 °C
EDS ^M -M5040LC	40.0	40.08	40.11	40.13	40.16
EDS ^M -M5070LC	70.0	70.14	70.18	70.23	70.28
EDS ^M -M50100LC	100.0	100.20	100.26	100.33	100.40
EDS ^M -M50130LC	130.0	130.26	130.34	130.43	130.51

EDS: Single Nozzle EDM: Multi Nozzles

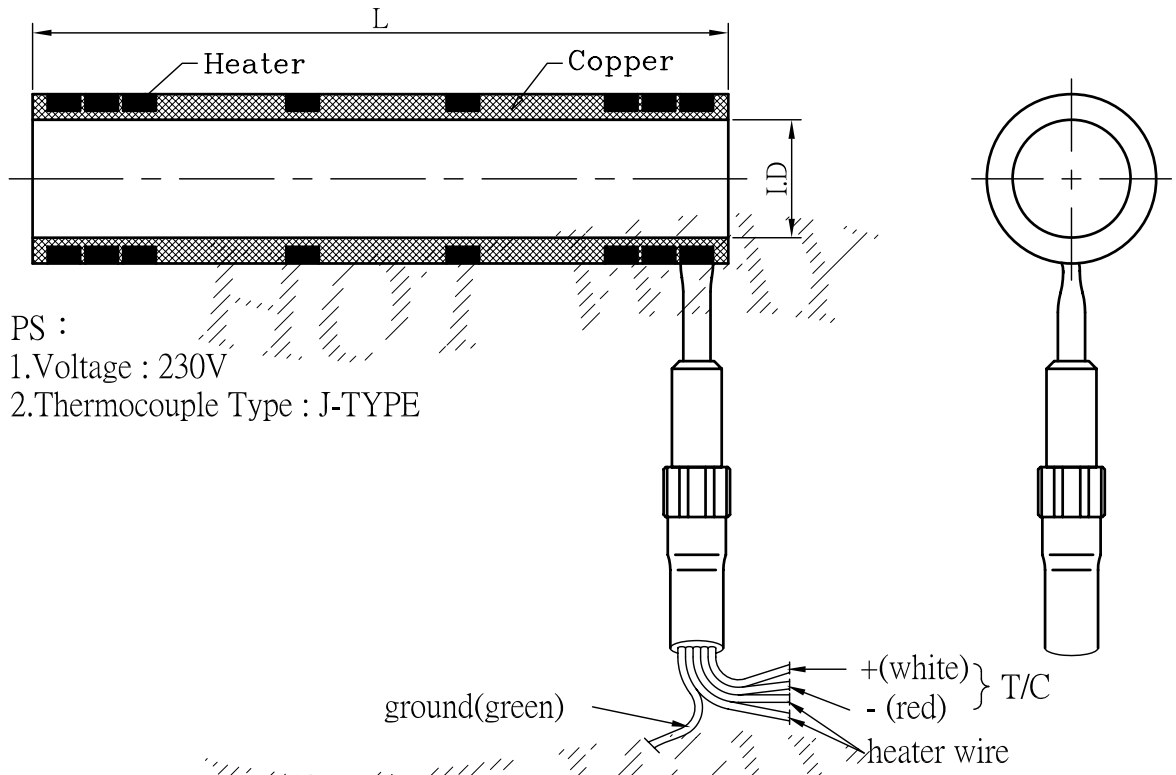
ΔL: Heat Expansion L

Casting Heater (1)



OUR NO.	I. D (mm)	L (mm)	WATTS
CH-3820	15.875	50.97	300W
CH-3825	15.875	63.67	300W
CH-3830	15.875	76.37	450W
CH-3835	15.875	89.07	450W
CH-3845	15.875	114.47	600W
CH-3855	15.875	139.87	600W
CH-3865	15.875	165.27	700W
CH-3875	15.875	190.67	800W
CH-3885	15.875	216.07	800W
CH-38100	15.875	254.17	900W
CH-5020	22.225	53.90	450W
CH-5025	22.225	66.60	450W
CH-5030	22.225	79.30	600W
CH-5035	22.225	92.00	600W
CH-5040	22.225	104.70	700W
CH-5050	22.225	130.10	700W
CH-5060	22.225	155.50	800W
CH-5070	22.225	180.90	800W
CH-5080	22.225	206.30	900W
CH-5090	22.225	231.70	900W
CH-6325	31.75	69.30	500W

Casting Heater (2)

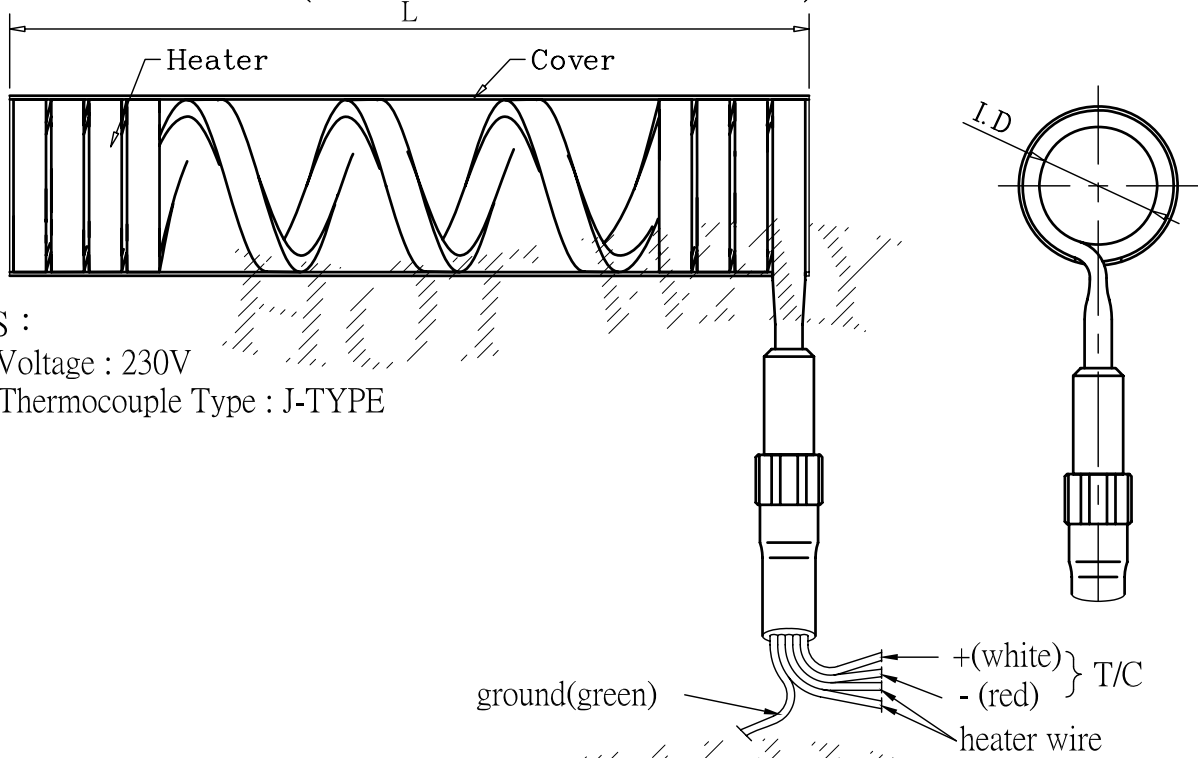


PS :
 1. Voltage : 230V
 2. Thermocouple Type : J-TYPE

OUR NO	I. D (mm)	l (mm)	WATTS
CH-6335	31.75	94.70	700W
CH-6345	31.75	120.10	800W
CH-6355	31.75	145.50	900W
CH-6365	31.75	170.90	900W
CH-6385	31.75	221.70	1100W
CH-M2040	10.00	33.30	200W
CH-M2070	10.00	63.30	250W
CH-M2540	12.50	32.80	200W
CH-M2570	12.50	62.80	250W
CH-M25100	12.50	92.80	300W
CH-M3040	16.00	35.80	300W
CH-M3070	16.00	65.80	350W
CH-M30100	16.00	95.80	450W
CH-M4040	19.05	31.60	350W
CH-M4070	19.05	61.60	450W
CH-M40100	19.05	91.60	450W
CH-M40130	19.05	121.60	500W
CH-M5040	22.00	35.00	350W
CH-M5070	22.00	66.00	450W
CH-M50100	22.00	96.00	450W
CH-M50130	22.00	126.00	500W

KHC HEATER (1)

(COIL HEATER WITH COVER)



PS :

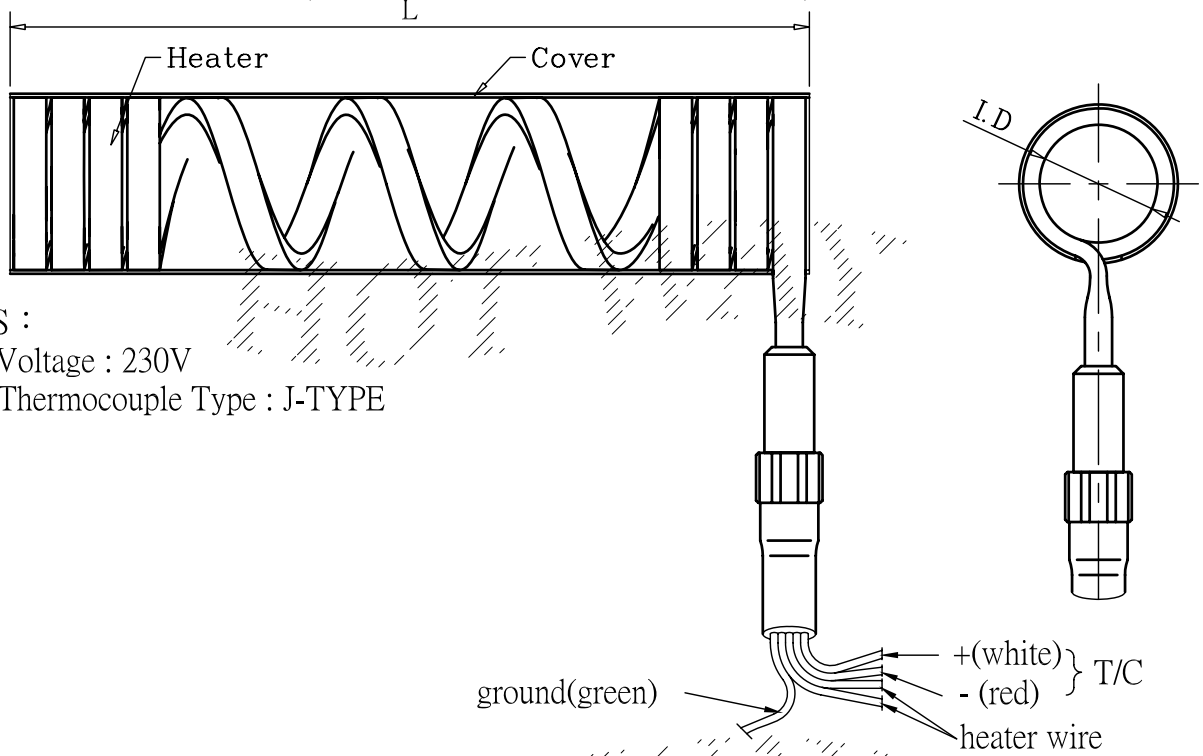
1. Voltage : 230V

2. Thermocouple Type : J-TYPE

OUR NO.	I. D (mm)	L (mm)	WATTS
KHC-3820	15.875	50.97	300W
KHC-3825	15.875	63.67	300W
KHC-3830	15.875	76.37	450W
KHC-3835	15.875	89.07	450W
KHC-3845	15.875	114.47	600W
KHC-3855	15.875	139.87	600W
KHC-3865	15.875	165.27	700W
KHC-3875	15.875	190.67	800W
KHC-3885	15.875	216.07	800W
KHC-38100	15.875	254.17	900W
KHC-5020	22.225	53.90	450W
KHC-5025	22.225	66.60	450W
KHC-5030	22.225	79.30	600W
KHC-5035	22.225	92.00	600W
KHC-5040	22.225	104.70	700W
KHC-5050	22.225	130.10	700W
KHC-5060	22.225	155.50	800W
KHC-5070	22.225	180.90	800W
KHC-5080	22.225	206.30	900W
KHC-5090	22.225	231.70	900W
KHC-6325	31.75	69.30	500W

KHC HEATER (2)

(COIL HEATER WITH COVER)



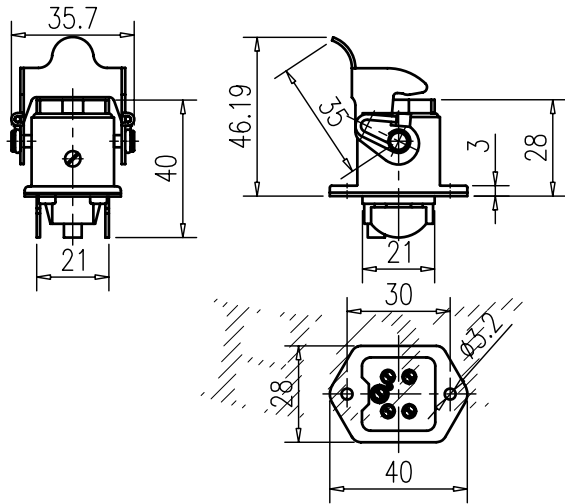
PS :

1. Voltage : 230V

2. Thermocouple Type : J-TYPE

OUR NO.	I. D (mm)	L (mm)	WATTS
KHC-6335	31.75	94.70	700W
KHC-6345	31.75	120.10	800W
KHC-6355	31.75	145.50	900W
KHC-6365	31.75	170.90	900W
KHC-6385	31.75	221.70	1100W
KHC-M2040	10.00	33.30	200W
KHC-M2070	10.00	63.30	250W
KHC-M2540	12.50	32.80	200W
KHC-M2570	12.50	62.80	250W
KHC-M25100	12.50	92.80	300W
KHC-M3040	16.00	35.80	300W
KHC-M3070	16.00	65.80	350W
KHC-M30100	16.00	95.80	450W
KHC-M4040	19.05	31.60	350W
KHC-M4070	19.05	61.60	450W
KHC-M40100	19.05	91.60	450W
KHC-M40130	19.05	121.60	500W
KHC-M5040	22.00	35.00	350W
KHC-M5070	22.00	66.00	450W
KHC-M50100	22.00	96.00	450W
KHC-M50130	22.00	126.00	500W

Mold Plug W/Insert



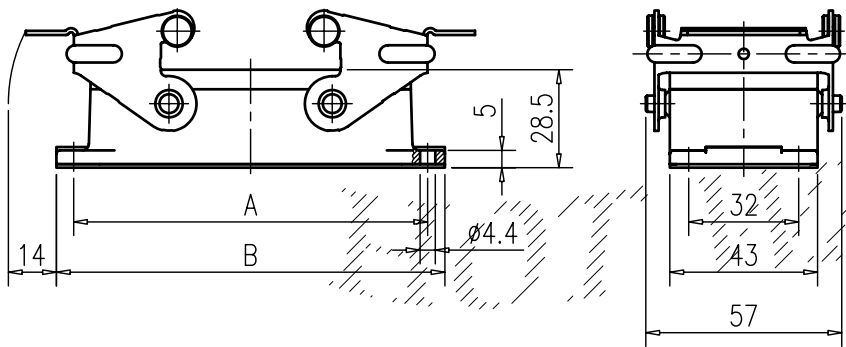
Male Insert

No. of Pins	Part No.
5 PIN	CN-5AN1

Female Insert

No. of Pins	Part No.
5 PIN	CN-5AN2

Double Side Latch



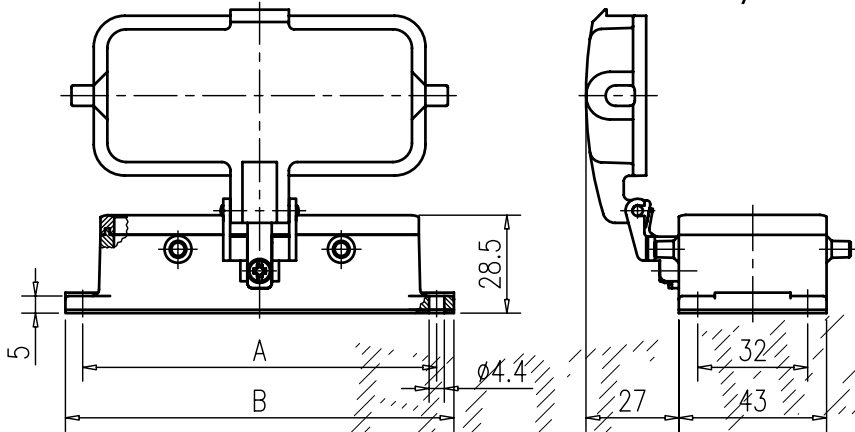
Male Insert

No. of Pins	A (mm)	B (mm)	Part No.
16 PIN	103	130	CN-16AN1
24 PIN	113	140	CN-24AN1

Female Insert

No. of Pins	A (mm)	B (mm)	Part No.
16 PIN	103	130	CN-16AN2
24 PIN	113	140	CN-24AN2

Non Latched w/Cover



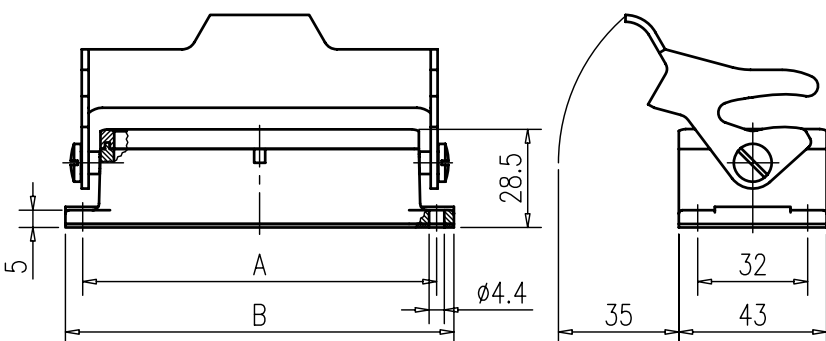
Male Insert

No. of Pins	A (mm)	B (mm)	Part No.
16 PIN	103	130	CN-16BN1
24 PIN	113	140	CN-24BN1

Female Insert

No. of Pins	A (mm)	B (mm)	Part No.
16 PIN	103	130	CN-16BN2
24 PIN	113	140	CN-24BN2

Single Latch



Male Insert

No. of Pins	A (mm)	B (mm)	Part No.
16 PIN	103	130	CN-16EN1
24 PIN	113	140	CN-24EN1

Female Insert

No. of Pins	A (mm)	B (mm)	Part No.
16 PIN	103	130	CN-16EN2
24 PIN	113	140	CN-24EN2