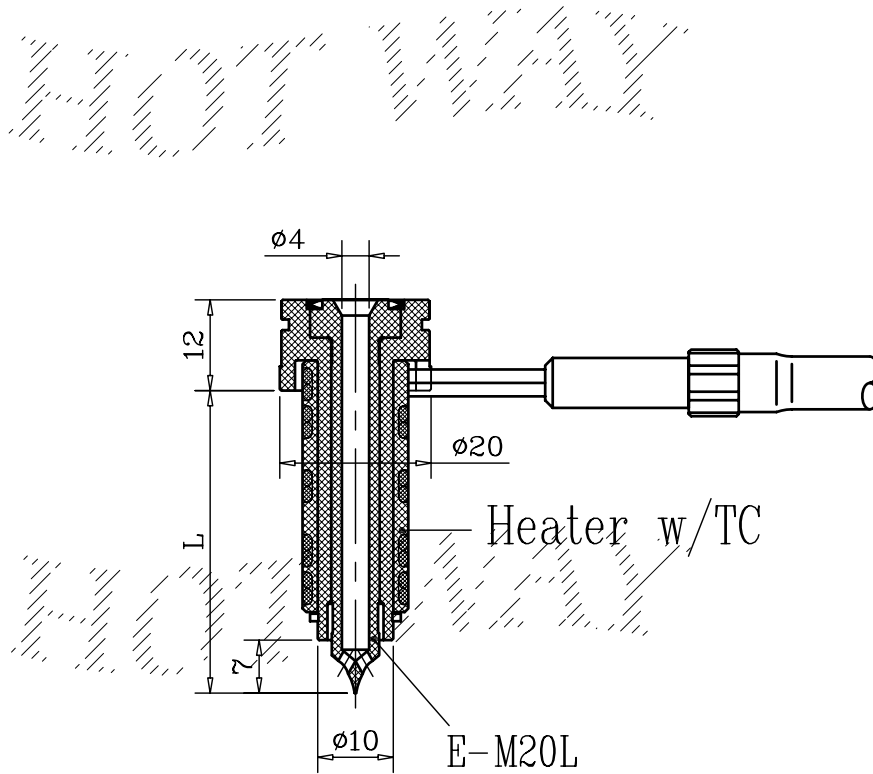


# SERIES M20 L-TYPE

Manifold For Series 38  
O Ring : OR-607

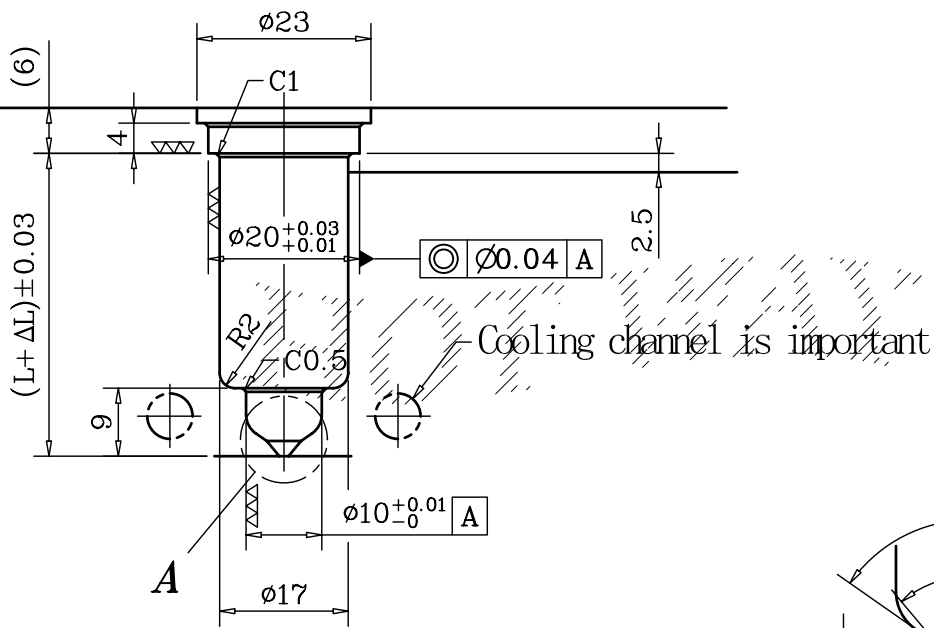
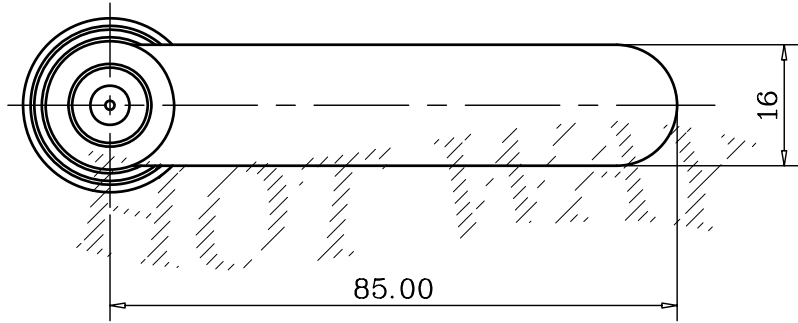


Shot weight (gm)	
High Flow	30
Medium Flow	15
Low Flow	5

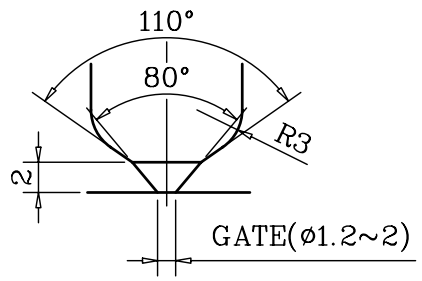
Nozzle Part No	L(mm)	Heater Part No	Wattage
EDM-MT2040L	40.0	CH-M2040	200W
EDM-MT2070L	70.0	CH-M2070	250W

EDM: Multi Nozzles

# SERIES M20 L-TYPE



Cooling channel is important



DETAIL: A (2:1)

Nozzle Part No	L(mm)	L + $\Delta L$			
		150 °C	200 °C	250 °C	300 °C
EDM-MT2040L	40.0	40.08	40.11	40.13	40.16
EDM-MT2070L	70.0	70.14	70.18	70.23	70.28

EDM: Multi Nozzles

$\Delta L$ : Heat Expansion L