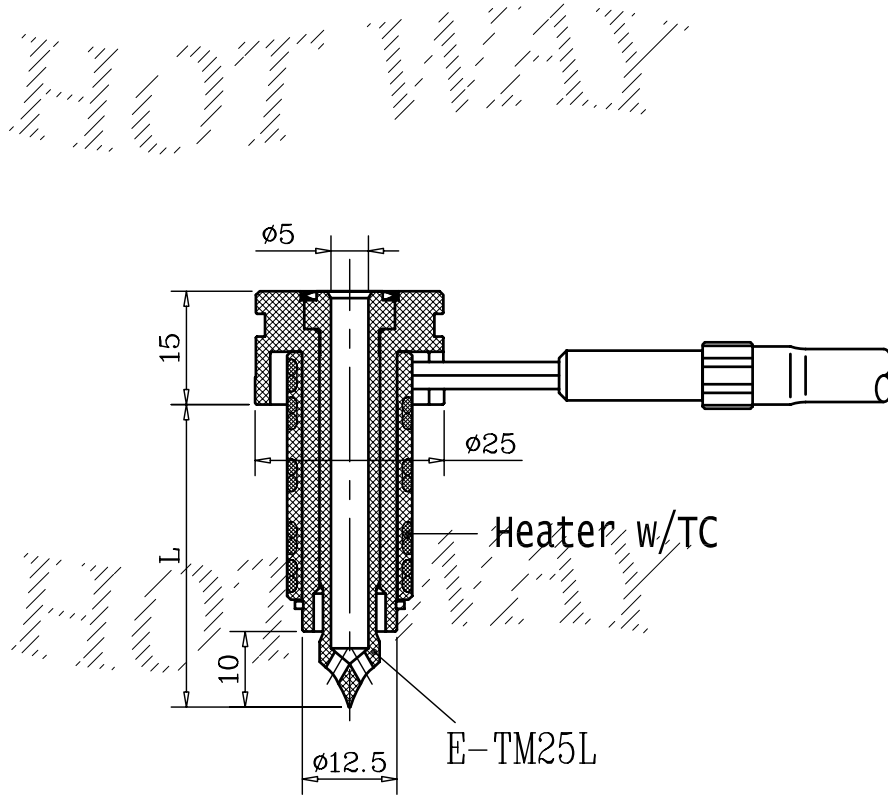


SERIES M25 L-TYPE

Manifold For Series 38
O Ring : OR-607

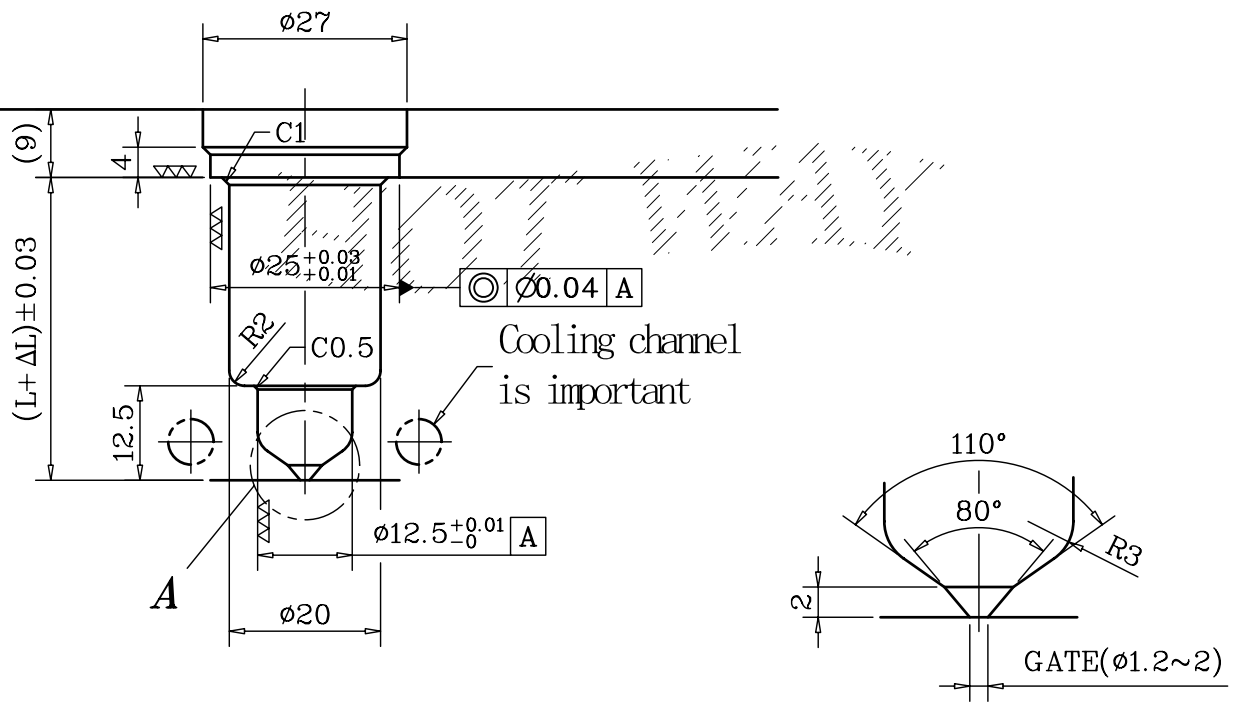
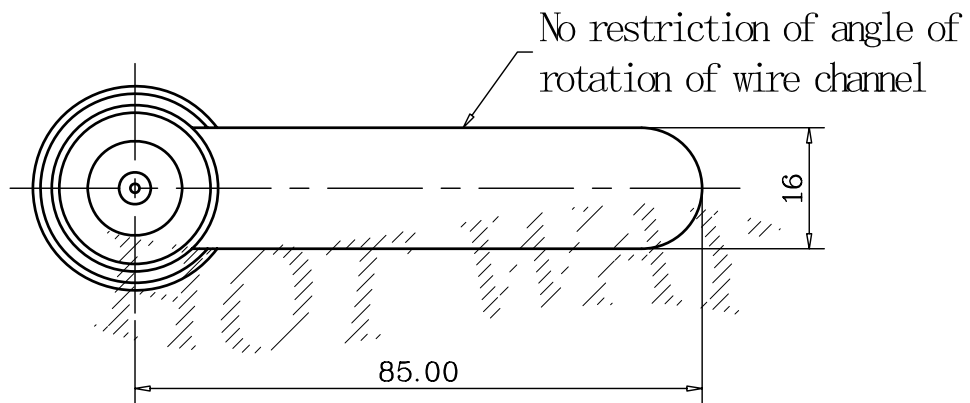


Shot weight (gm)	
High Flow	75
Medium Flow	45
Low Flow	15

Nozzle Part No	L(mm)	Heater Part No	Wattage
EDM-MT2540L	40.0	CH-M2540	200W
EDM-MT2570L	70.0	CH-M2570	250W
EDM-MT25100L	100.0	CH-M25100	300W

EDM: Multi Nozzles

SERIES M25 L-TYPE



DETAIL: A (2:1)

Nozzle Part No	L(mm)	L+ ΔL			
		150 °C	200 °C	250 °C	300 °C
EDM-MT2540L	40.0	40.08	40.11	40.13	40.16
EDM-MT2570L	70.0	70.14	70.18	70.23	70.28
EDM-MT25100L	100.0	100.20	100.26	100.33	100.40

EDM: Multi Nozzles

ΔL: Heat Expansion L