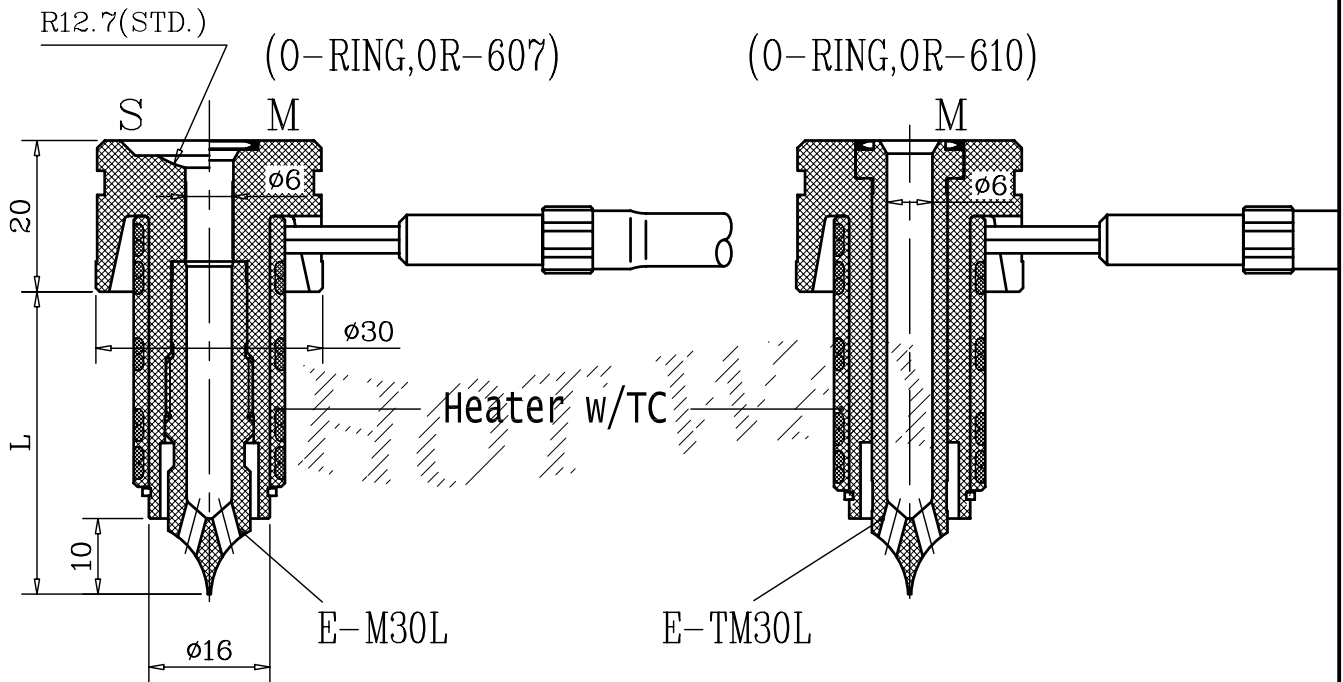


SERIES M30 L-TYPE

S Single
M Manifold (For Series 38)

ED_S^M-M30XXXL-K

ED_S^M-MT30XXXL-K

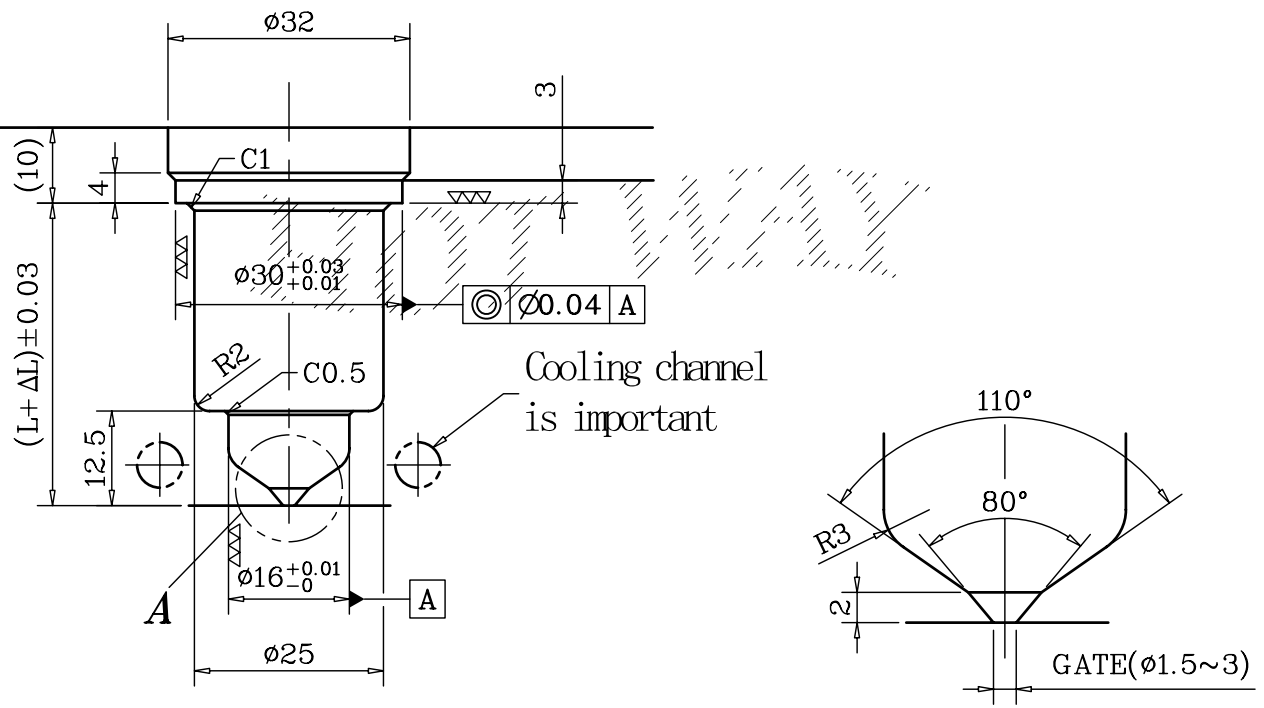
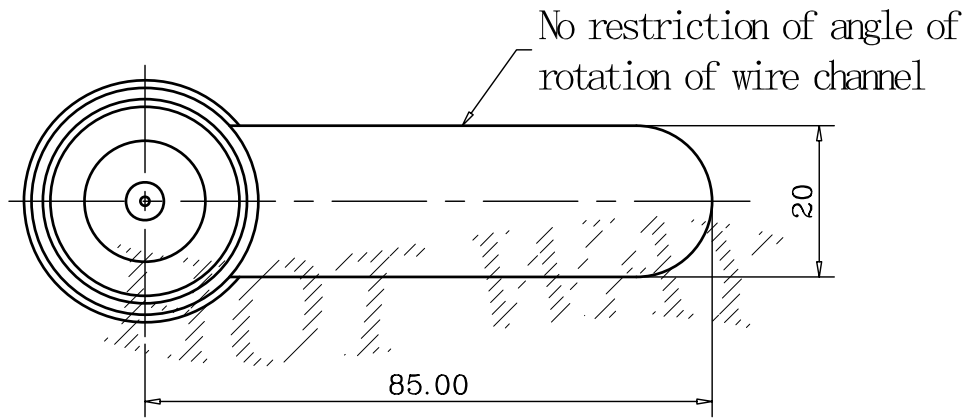


Shot weight (gm)	
High Flow	100
Medium Flow	75
Low Flow	45

Nozzle Part No	L(mm)	Heater Part No	Wattage
ED _S ^M -M(T)3040L	40.0	CH-M3040	300W
ED _S ^M -M(T)3070L	70.0	CH-M3070	350W
ED _S ^M -M(T)30100L	100.0	CH-M30100	450W

EDS: Single Nozzle EDM: Multi Nozzles

SERIES M30 L-TYPE



Nozzle Part No	L(mm)	L+ ΔL			
		150 °C	200 °C	250 °C	300 °C
ED _S ^M -M3040L	40.0	40.08	40.11	40.13	40.16
ED _S ^M -M3070L	70.0	70.14	70.18	70.23	70.28
ED _S ^M -M30100L	100.0	100.20	100.26	100.33	100.40

EDS: Single Nozzle EDM: Multi Nozzles

ΔL: Heat Expansion L