

SERIES M40 L-TYPE

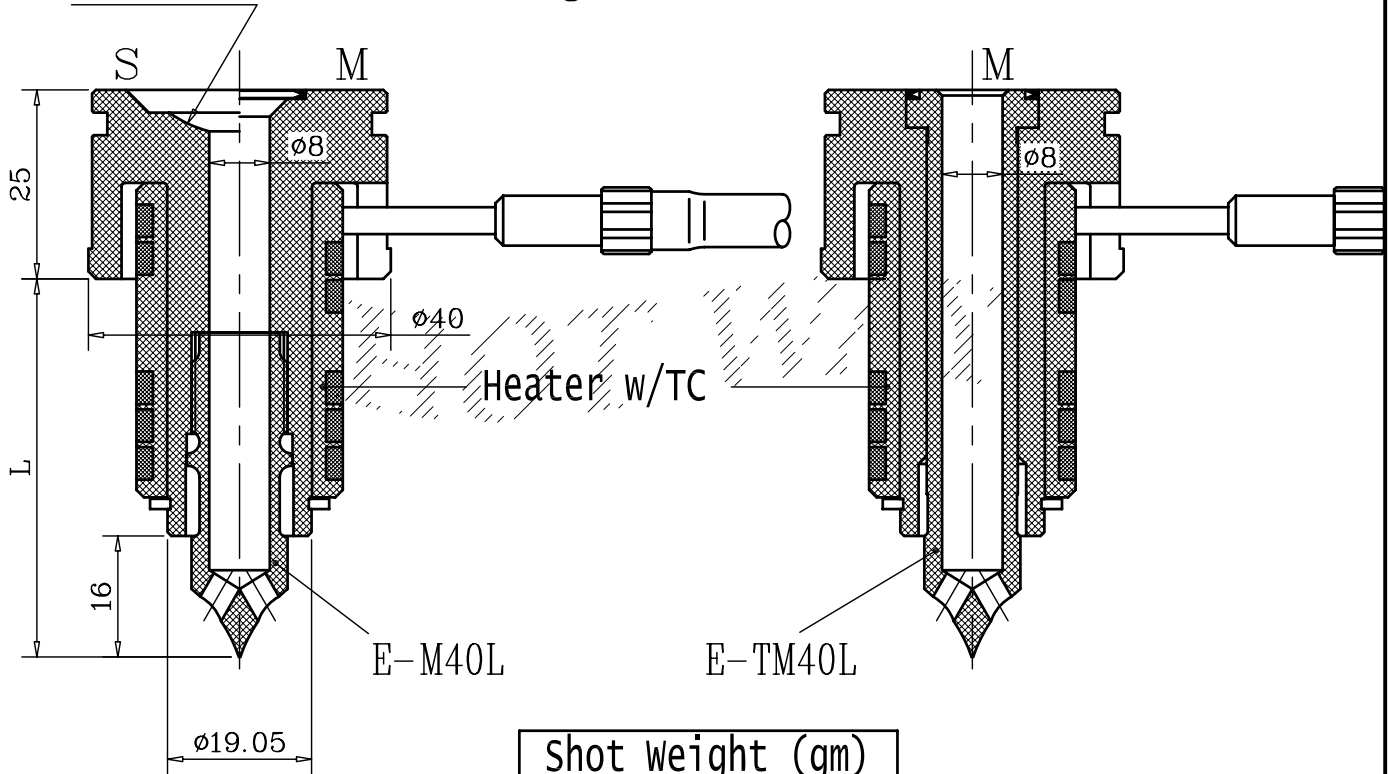
S Single
M Manifold (For Series 50)

ED_S^M-M40XXXL-K

ED_S^M-MT40XXXL-K

R16.0(STD.)

O Ring : OR-610



Shot weight (gm)	
High Flow	200
Medium Flow	125
Low Flow	75

Nozzle Part No	L(mm)	Heater Part No	Wattage
ED _S ^M -M(T)4040L	40.0	CH-M4040	350W
ED _S ^M -M(T)4070L	70.0	CH-M4070	450W
ED _S ^M -M(T)40100L	100.0	CH-M40100	450W
ED _S ^M -M(T)40130L	130.0	CH-M40130	500W

EDS: Single Nozzle EDM: Multi Nozzles

