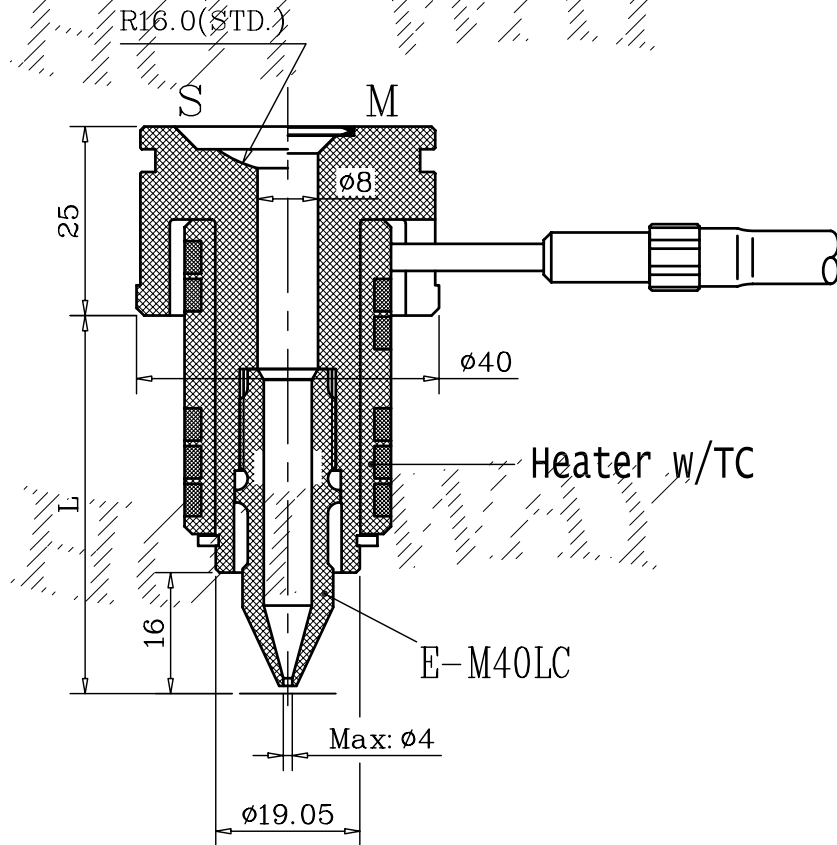


# SERIES M40 LC-TYPE

S Single  
M Manifold (For Series 50)

O Ring : OR-610

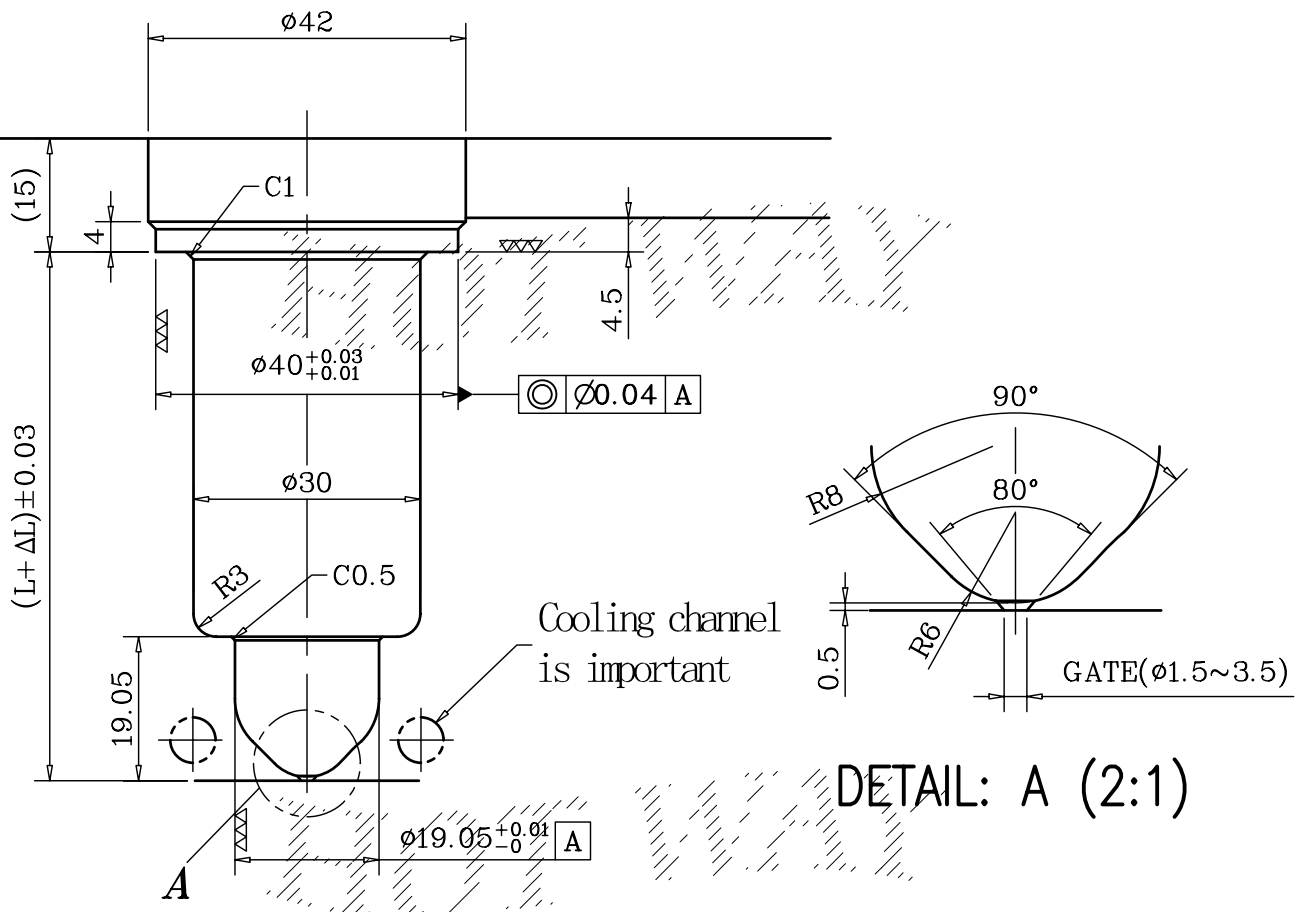
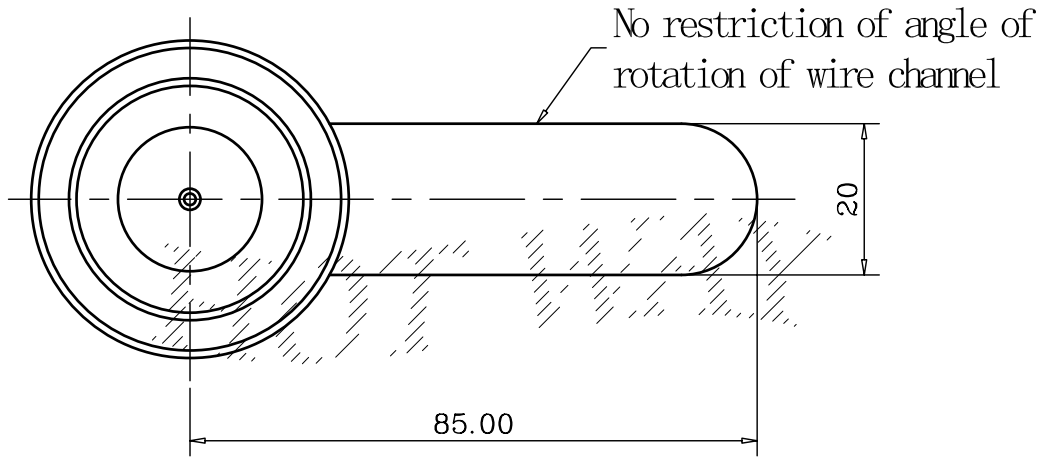


Shot weight (gm)	
High Flow	500
Medium Flow	375
Low Flow	250

Nozzle Part No	L(mm)	Heater Part No	Wattage
ED <sub>S</sub> <sup>M</sup> -M4040LC	40.0	CH-M4040	350W
ED <sub>S</sub> <sup>M</sup> -M4070LC	70.0	CH-M4070	450W
ED <sub>S</sub> <sup>M</sup> -M40100LC	100.0	CH-M40100	450W
ED <sub>S</sub> <sup>M</sup> -M40130LC	130.0	CH-M40130	500W

EDS: Single Nozzle EDM: Multi Nozzles

# SERIES M40 LC-TYPE



Nozzle Part No	L(mm)	L+ $\Delta$ L			
		150 °C	200 °C	250 °C	300 °C
ED <sub>S</sub> <sup>M</sup> -M4040LC	40.0	40.08	40.11	40.13	40.16
ED <sub>S</sub> <sup>M</sup> -M4070LC	70.0	70.14	70.18	70.23	70.28
ED <sub>S</sub> <sup>M</sup> -M40100LC	100.0	100.20	100.26	100.33	100.40
ED <sub>S</sub> <sup>M</sup> -M40130LC	130.0	130.26	130.34	130.43	130.51

EDS: Single Nozzle EDM: Multi Nozzles

$\Delta$ L: Heat Expansion L