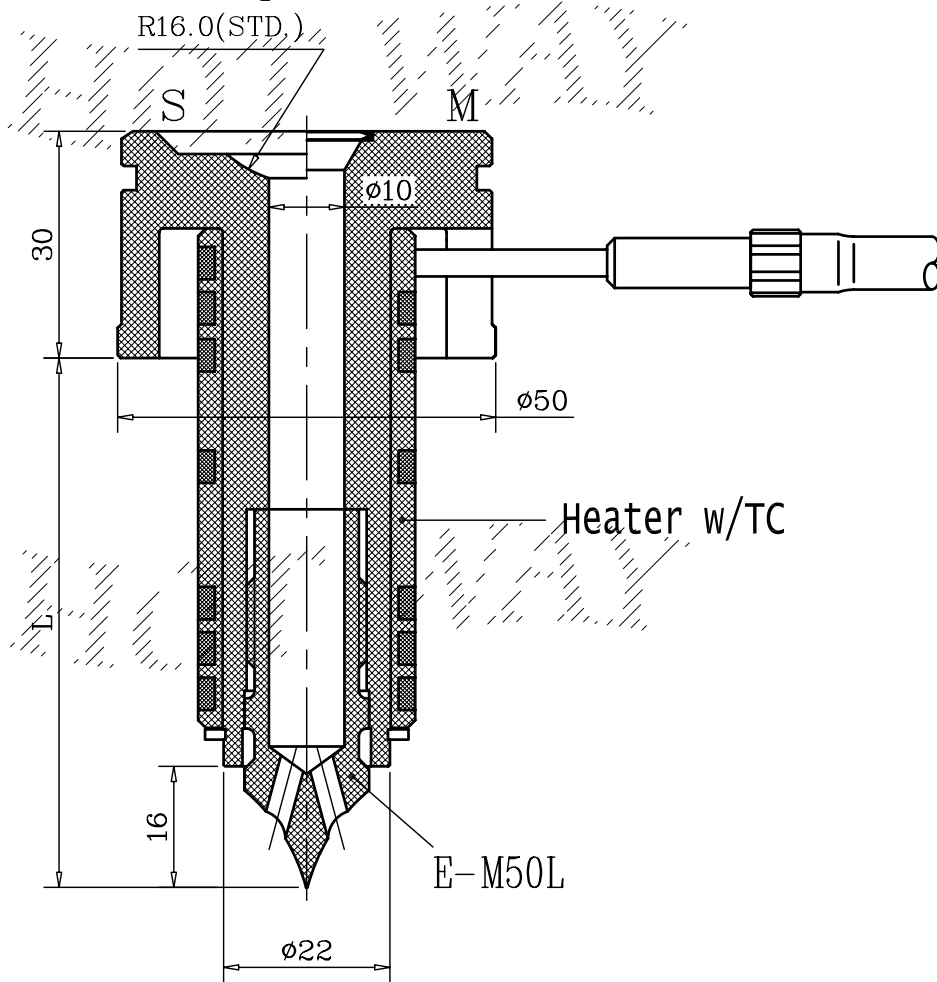


SERIES M50 L-TYPE

S Single
 M Manifold (For Series 50)

O Ring : OR-610

R16.0(STD.)

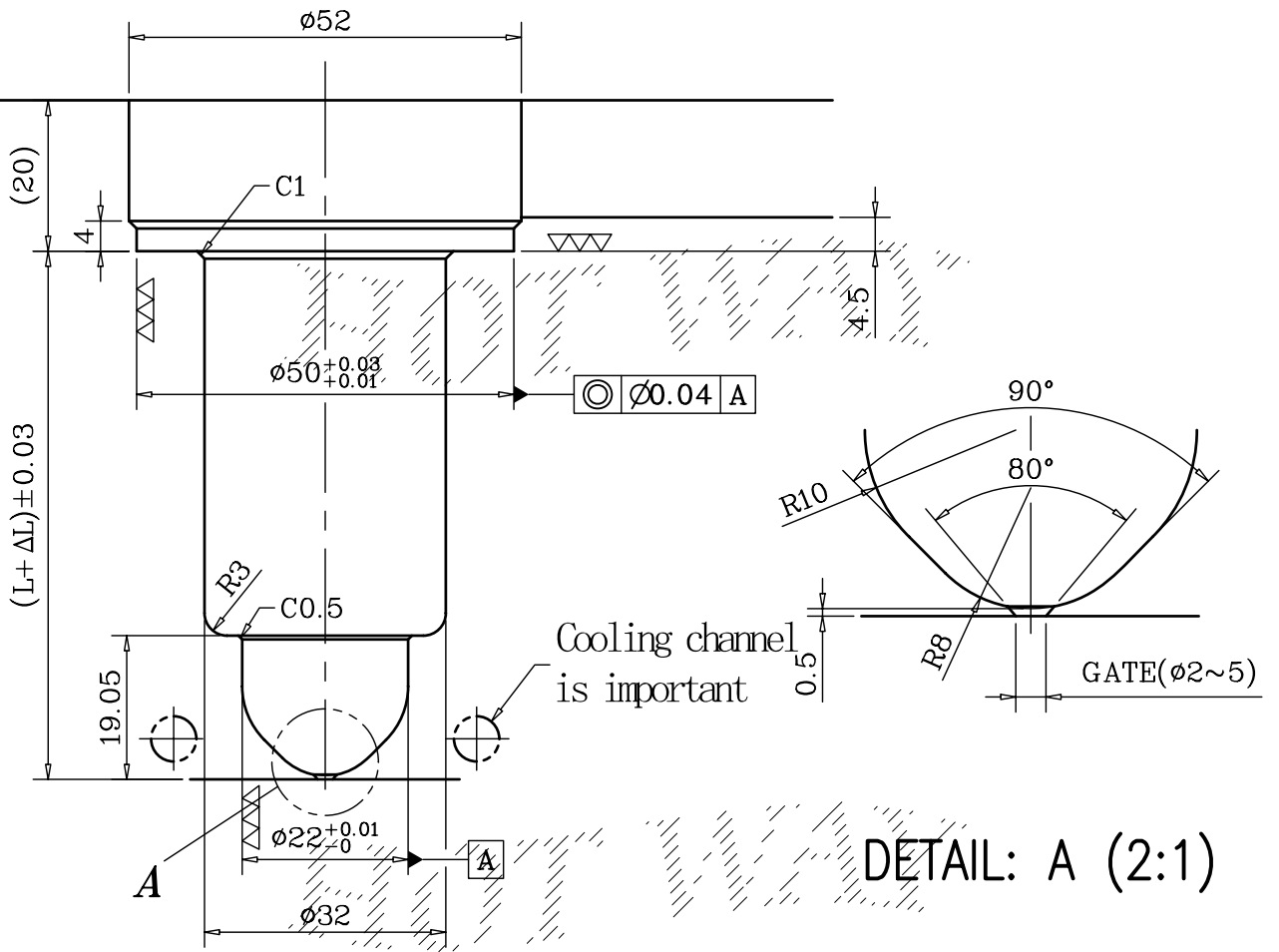
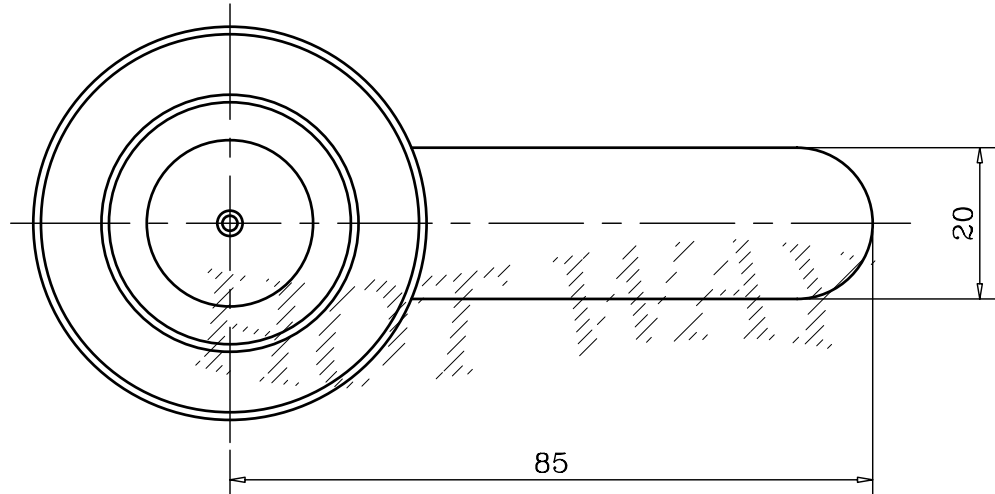


Shot weight (gm)	
High Flow	500
Medium Flow	375
Low Flow	250

Nozzle Part No	L(mm)	Heater Part No	Wattage
ED _S ^M -M5040L	40.0	CH-M5040	350W
ED _S ^M -M5070L	70.0	CH-M5070	450W
ED _S ^M -M50100L	100.0	CH-M50100	450W
ED _S ^M -M50130L	130.0	CH-M50130	500W

EDS: Single Nozzle EDM: Multi Nozzles

SERIES M50 L-TYPE



Nozzle Part No	L(mm)	L+ΔL			
		150 °C	200 °C	250 °C	300 °C
ED _S ^M -M5040L	40.0	40.08	40.11	40.13	40.16
ED _S ^M -M5070L	70.0	70.14	70.18	70.23	70.28
ED _S ^M -M50100L	100.0	100.20	100.26	100.33	100.40
ED _S ^M -M50130L	130.0	130.26	130.34	130.43	130.51

EDS: Single Nozzle EDM: Multi Nozzles

ΔL: Heat Expansion L